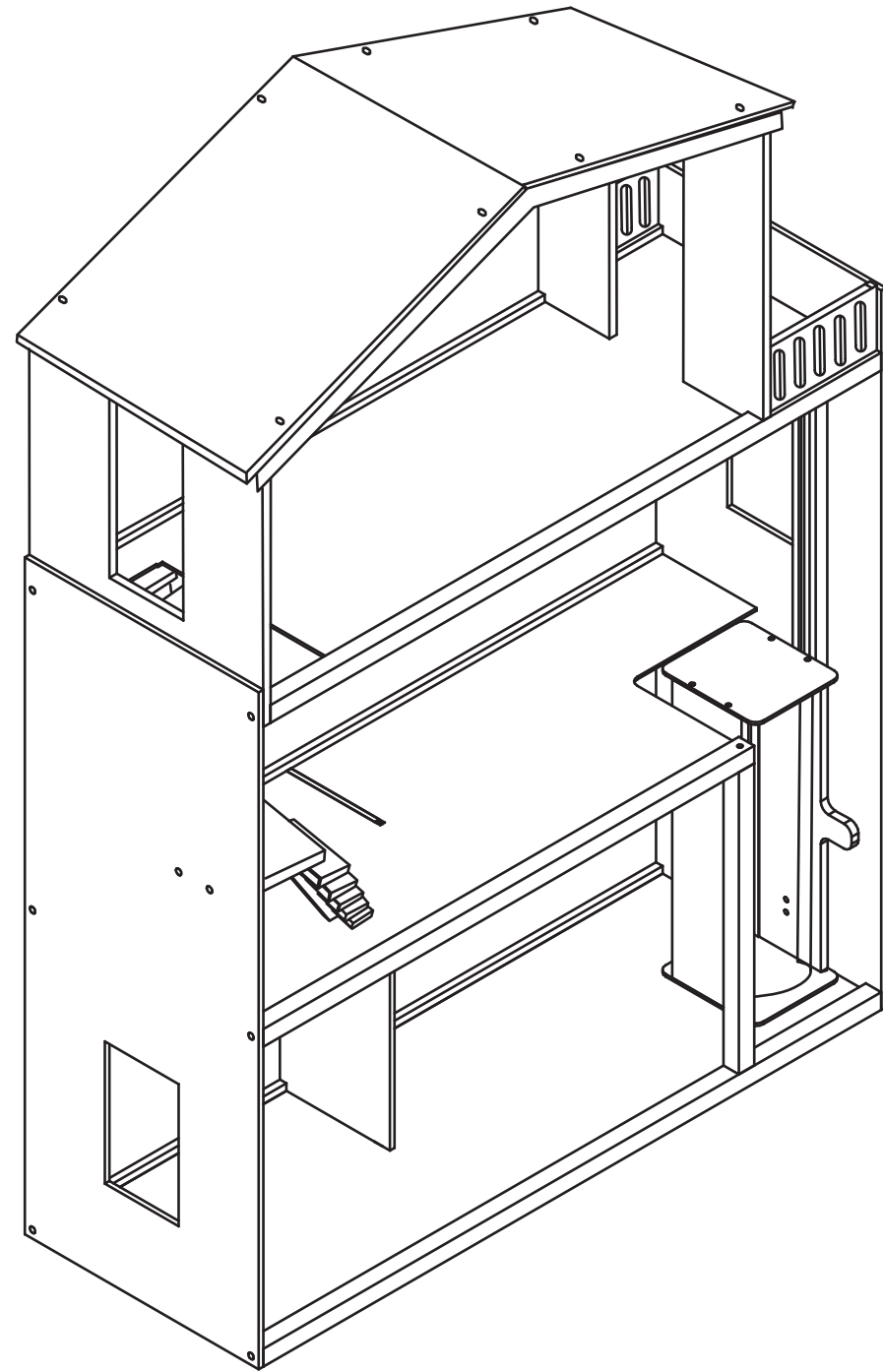















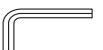


Doll House Assembly Instruction

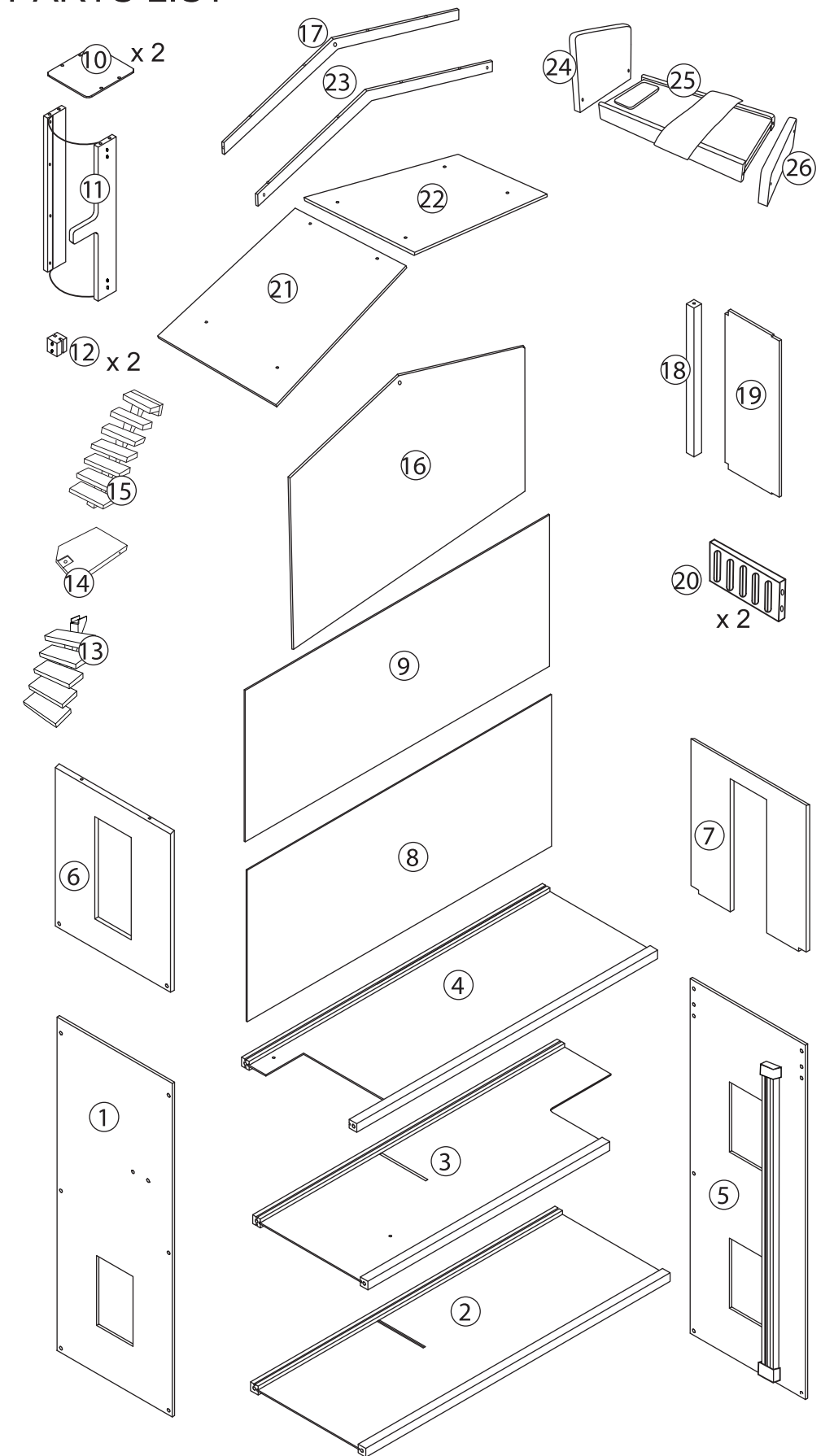
Item No. 4128



HARDWARE

- A. White cross dowel bolt x 11
 (58mm)
 - B. Cross dowel nut x 11

 - C. Large head screw x 2
 (42mm)
 - D. Rosy head screw x 4
 (32mm)
 - E. White large head screw x 2
 (16mm)
 - F. Large head screw x 2
 (24mm)
 - G. White head screw x 4
 (24mm)
 - H. White large head screw x 6
 (24mm)
 - I. White large head screw x 2
 (24mm)
 - J. White large head screw x 8
 (18mm)
 - K. Black large head screw x 8
 (18mm)
 - L. Silvery large head screw x 4
 (18mm)
 - M. Pink large head screw x 1
 (16mm)
 - N. Large head screw x 3
 (13mm)
 - O. Small rosy head screw x 1
 (10mm)
- Allen wrench x 1 

PARTS LIST



WARNING !

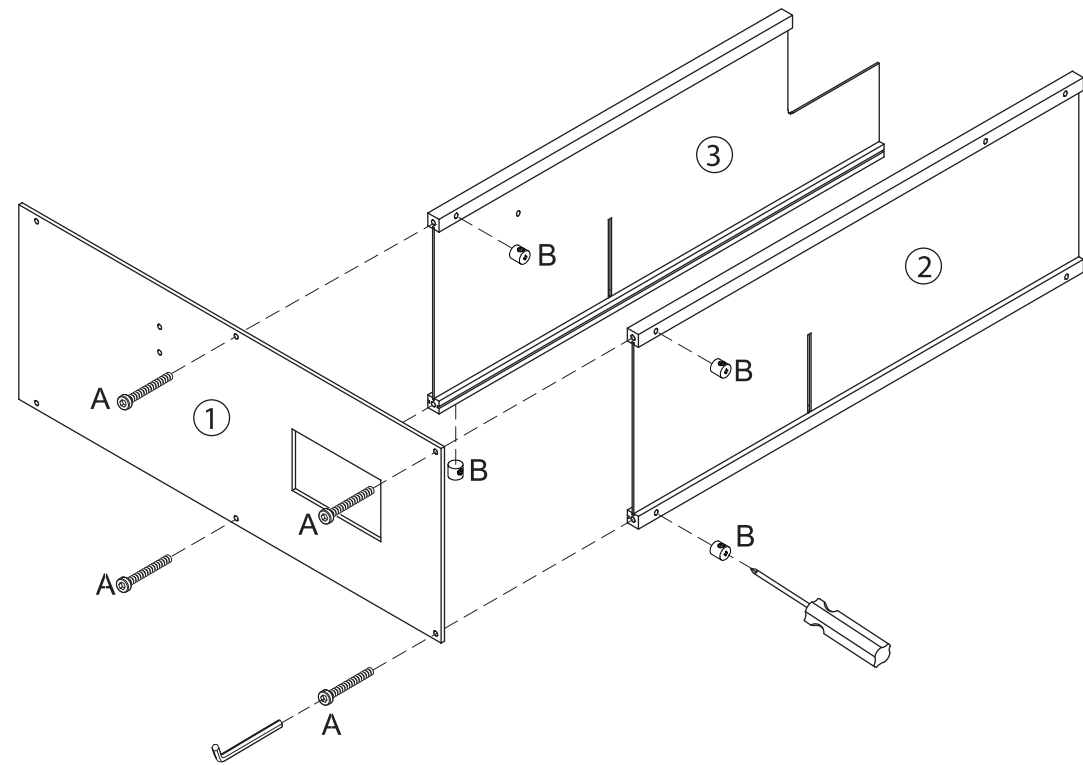
Not suitable for children under 3 years due to small parts. CHOKING HAZARD !
 Hardware contains small screws with sharp points.
 Children shall not climb or pull on the doll house .

CAUTION !

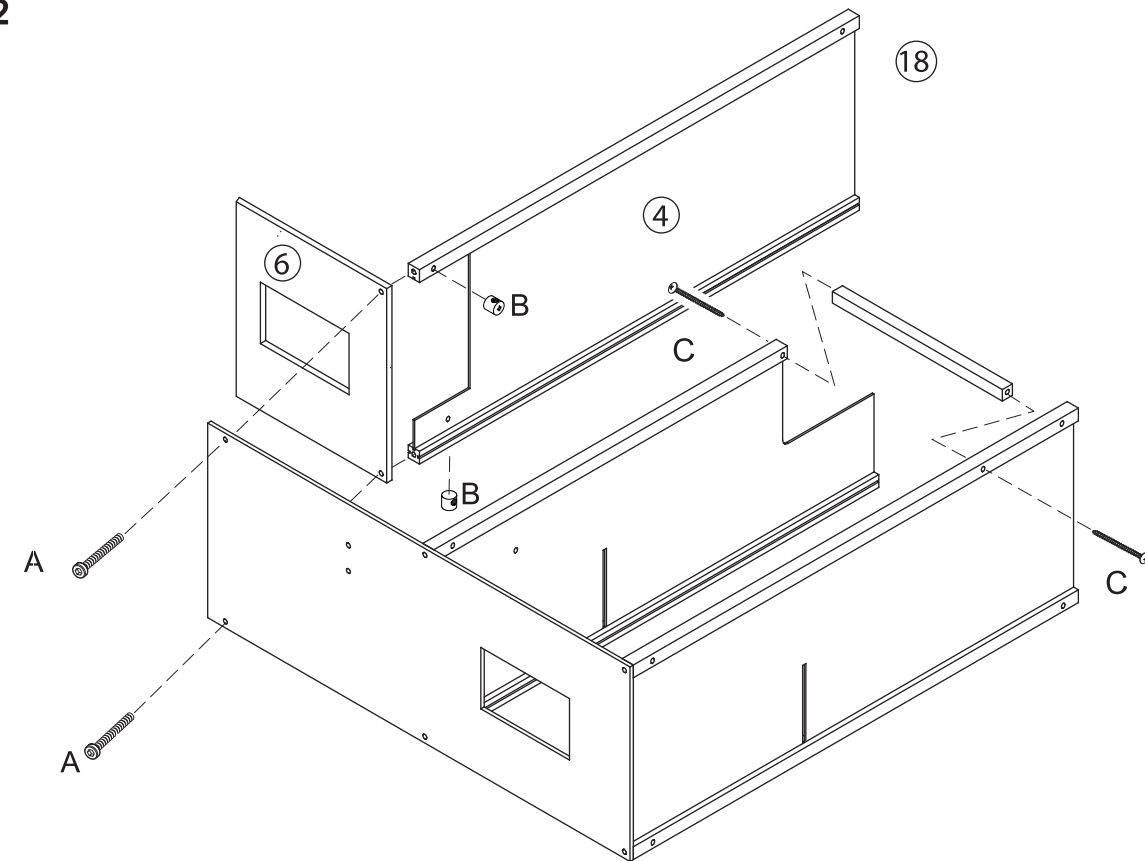
Adult assembly required.
 Regularly check the screws are tight.
 Wipe clean with a damp cloth.
 Keep this information for future reference.



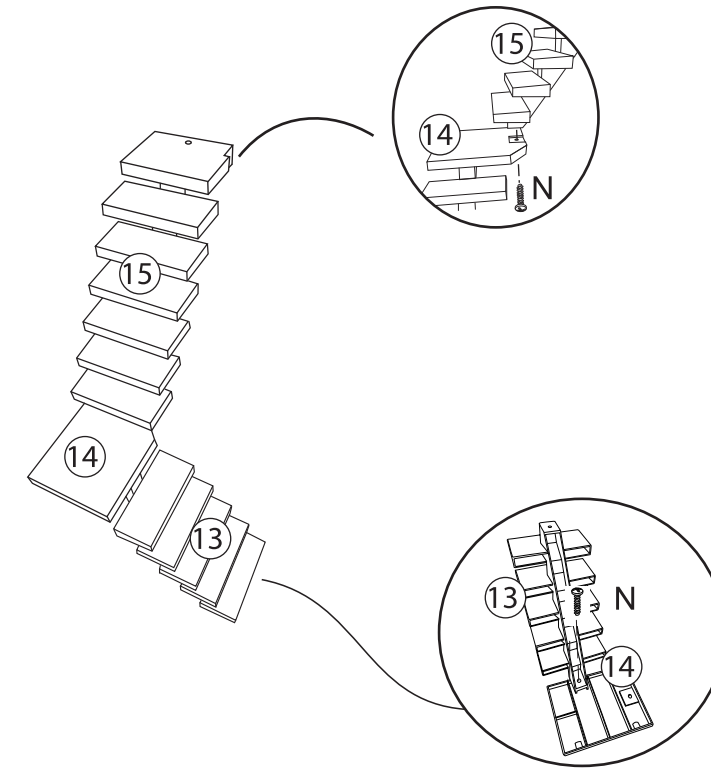
STEP 1



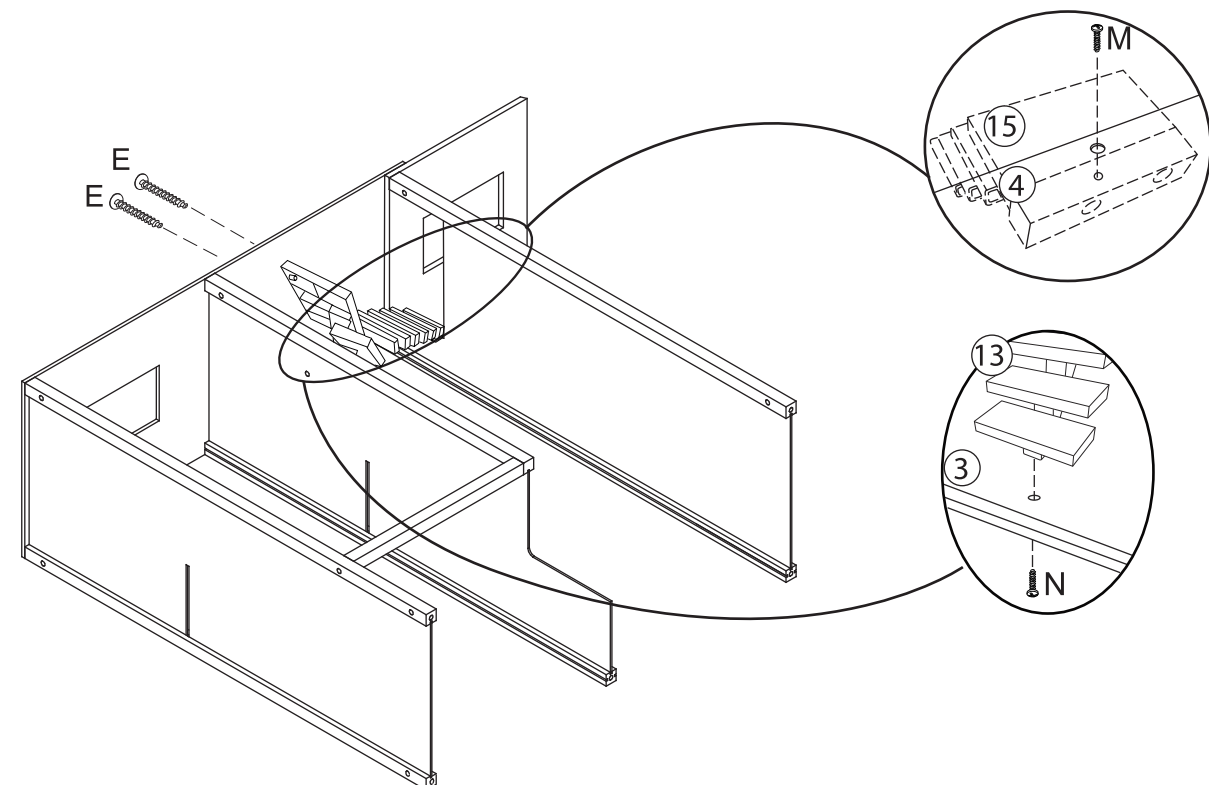
STEP 2



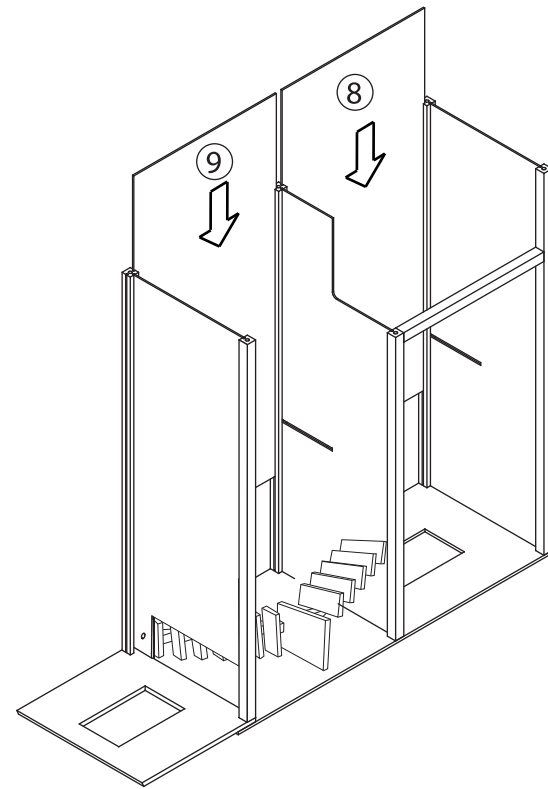
STEP 3



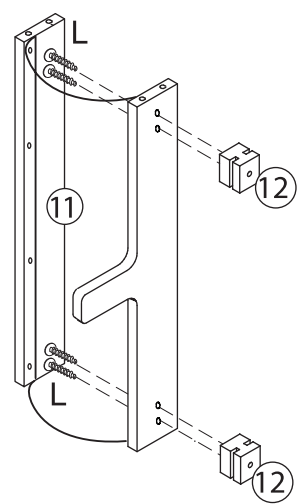
STEP 4



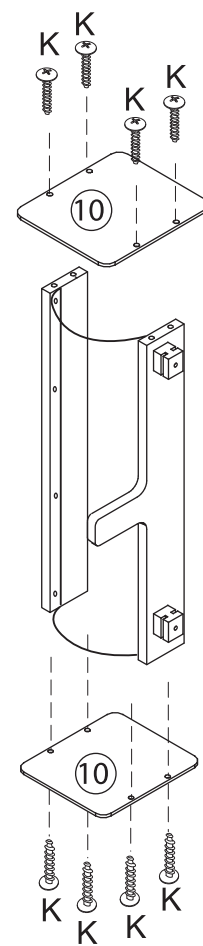
STEP 5



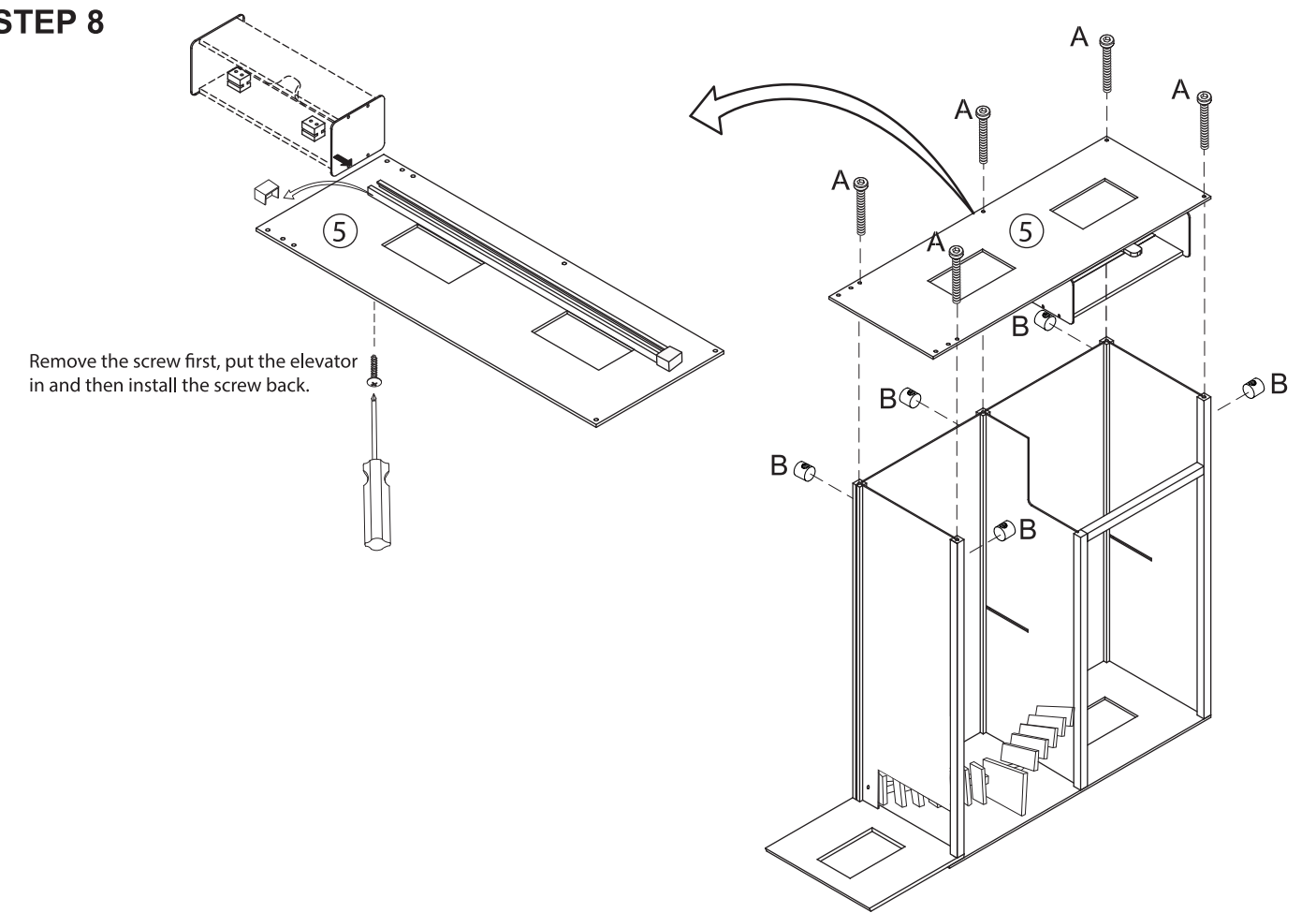
STEP 6



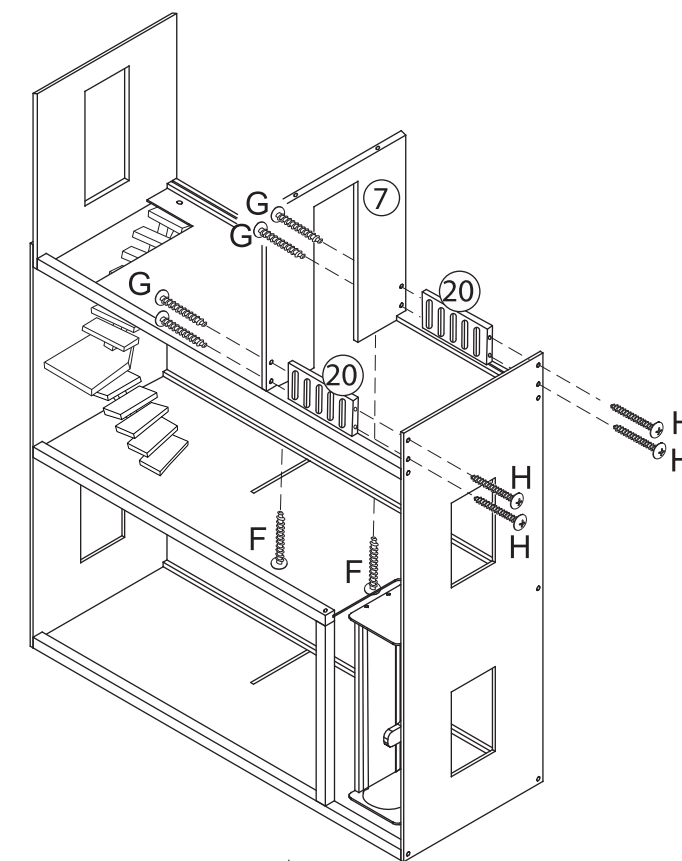
STEP 7



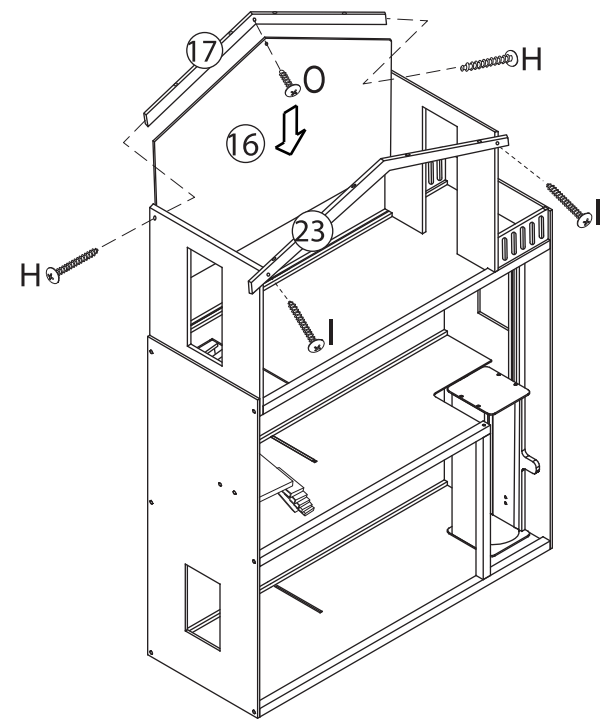
STEP 8



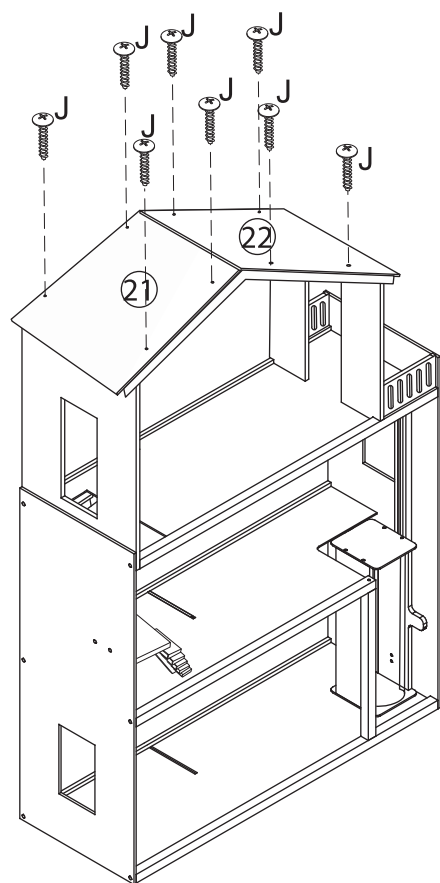
STEP 9



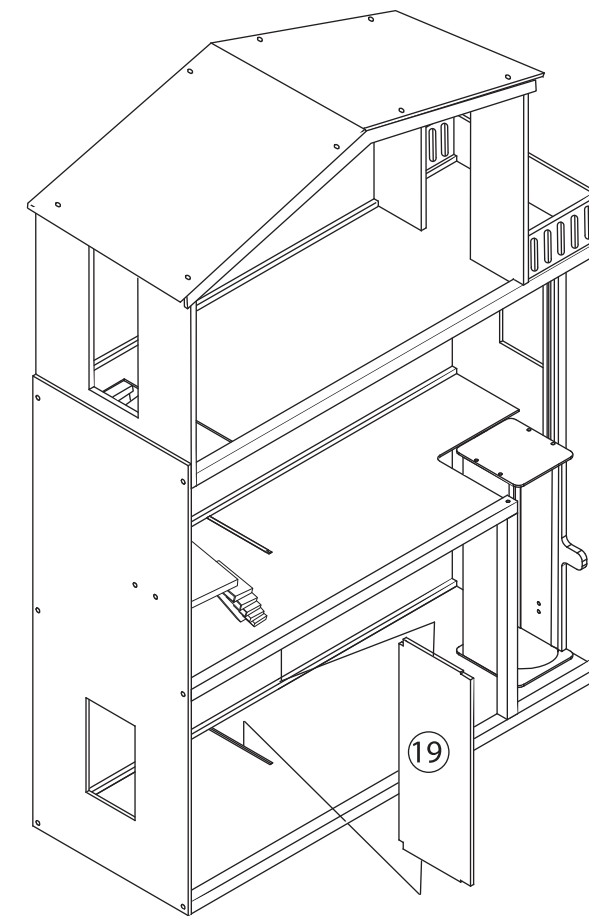
STEP 10



STEP 11



STEP 12



Bed Assembly

