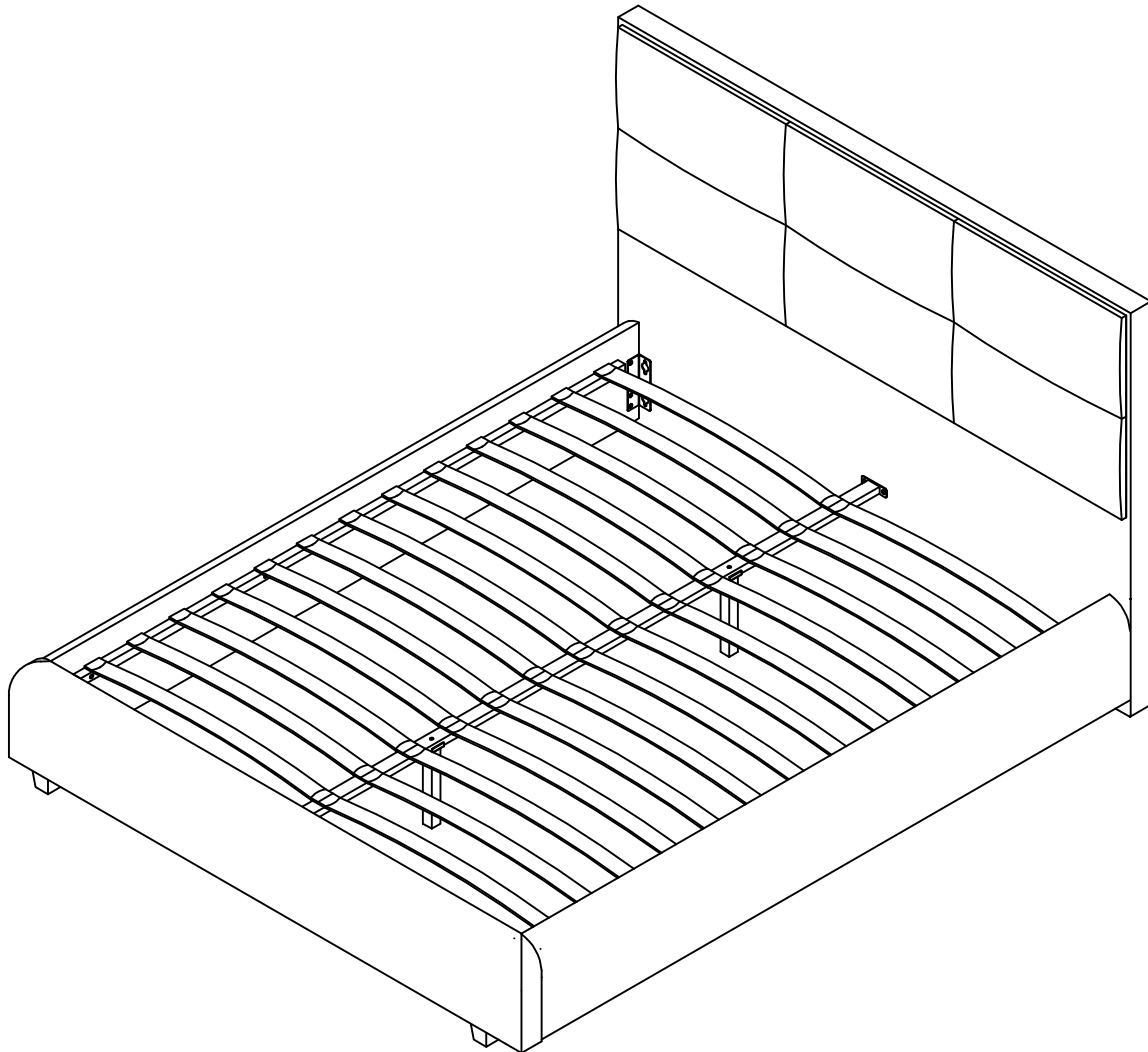


KAREN UPHOLSTERED BED

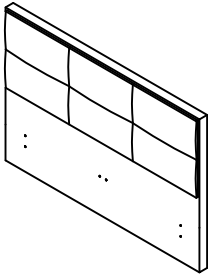
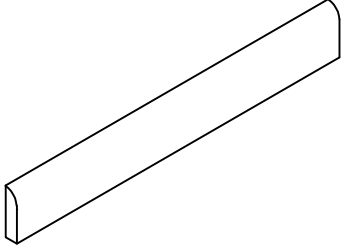
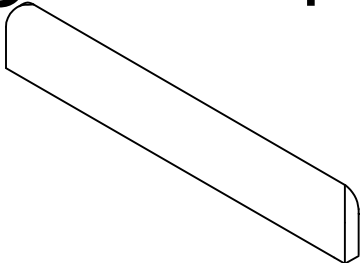
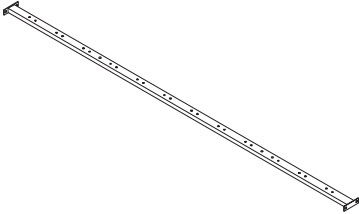

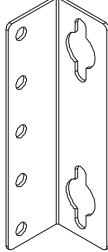
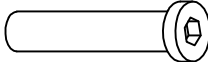
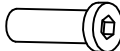

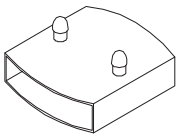
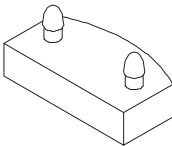

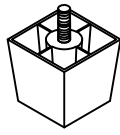
Do not discard the packaging until you have successfully completed the assembly.



DEAR CUSTOMER,

Thank you for choosing our product. Please read this manual carefully before assembling or using the product, to avoid damage caused by improper use. If the product is passed on to third parties, this manual has to be passed on along with the product. For any question don't hesitate to contact us.

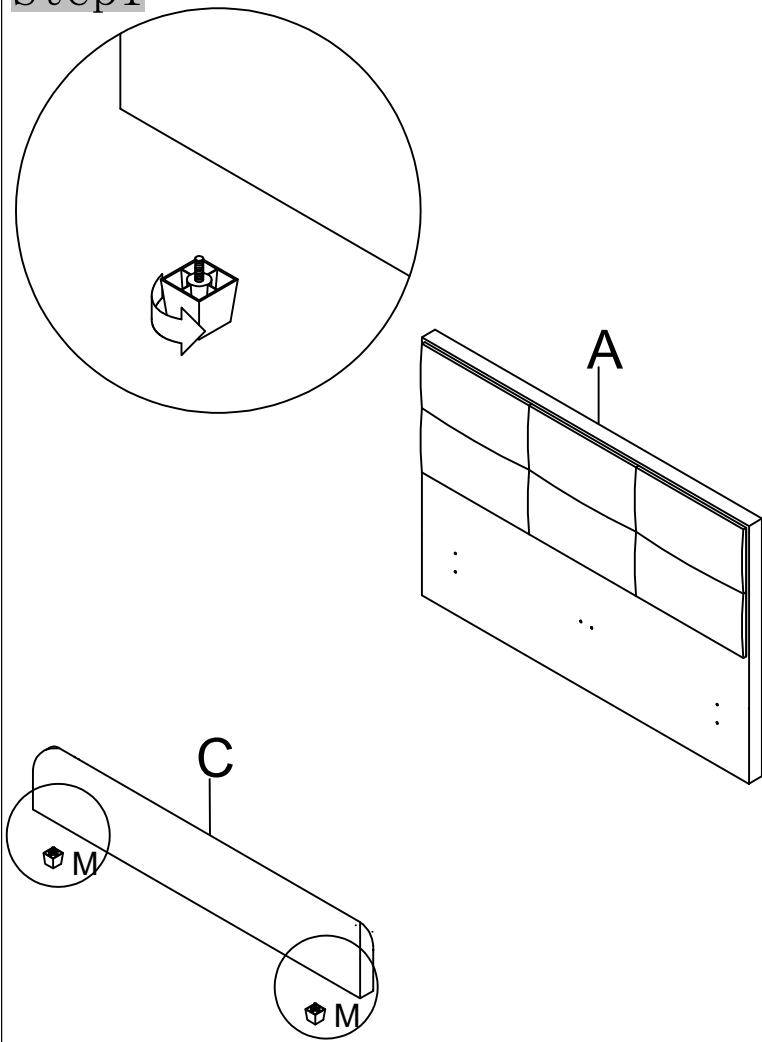
PARTS LIST

A  1*	B  2*	C  1*	
D  1*	E  2*	F  4*	
G  2*	H  20*	I  26*	
J  13*	K  26*	L  1*	M  2*

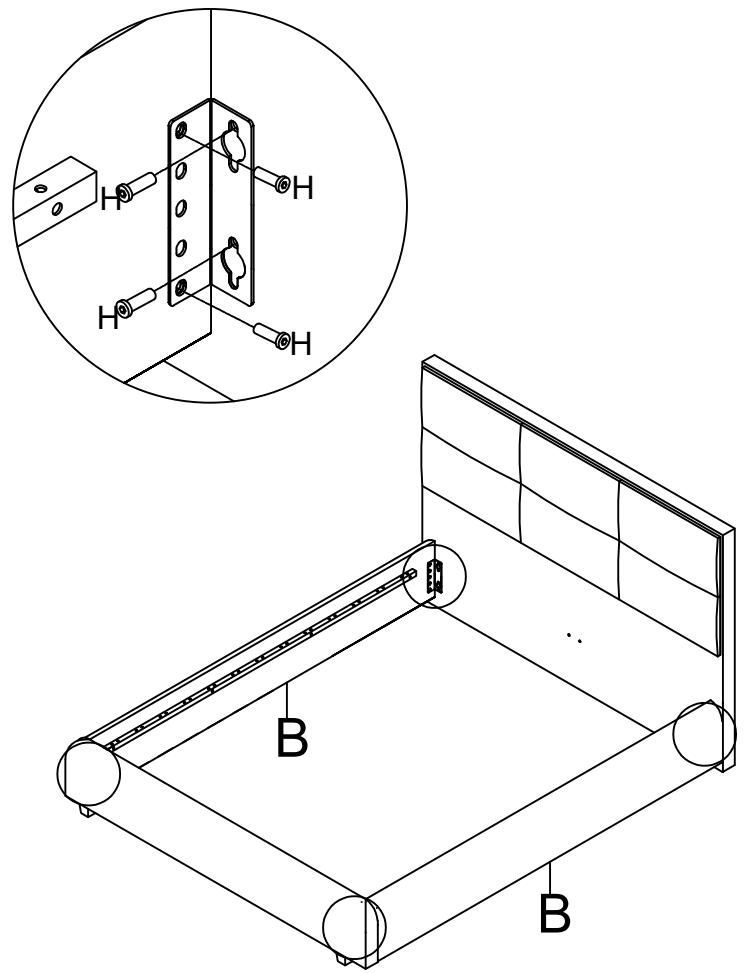
Before your installation, please make sure that you have all the parts listed on the manual. If you find something missing, stop installing and contact the supplier.

NOTE: Please do not completely tighten all the hardware until the entire assembly is completed

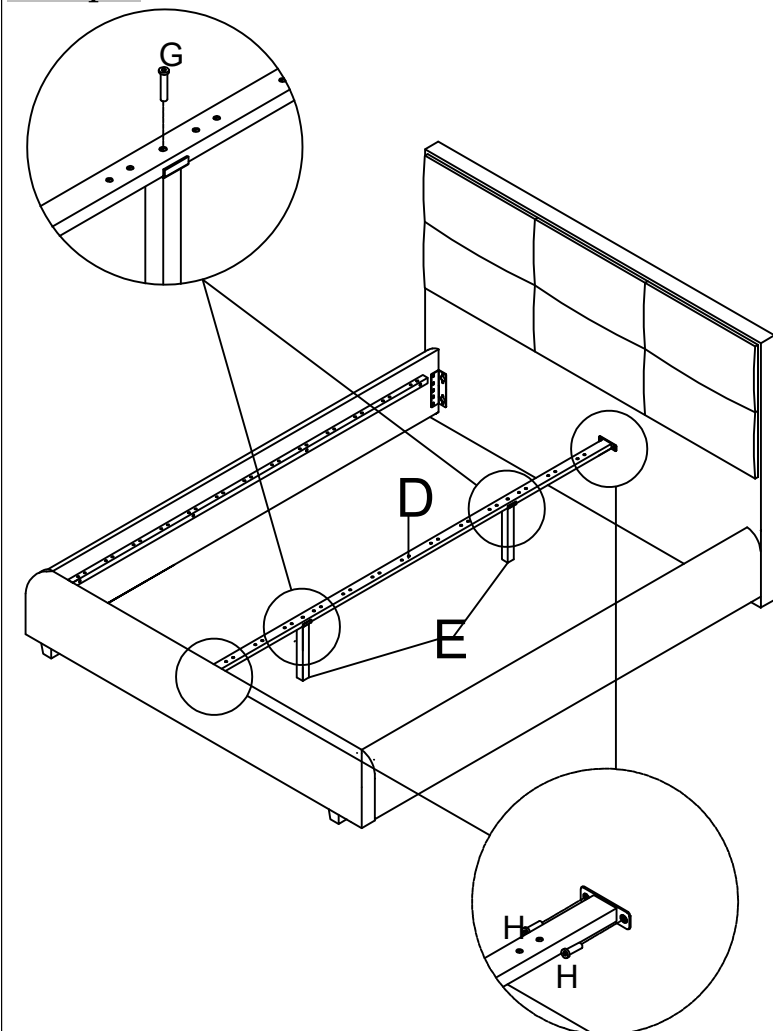
Step1



Step2



Step3



Step4

