

# Assembly Instruction



A:1PC



B:2PCS



C:2PCS



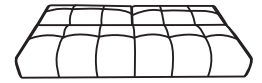
D:3PCS



E:3PCS

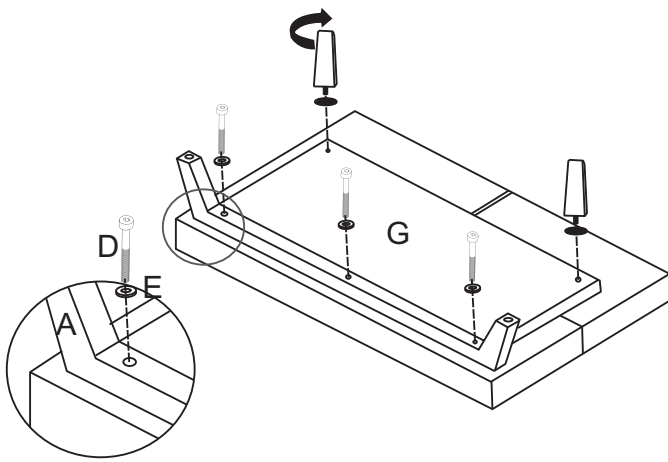


F:1PC

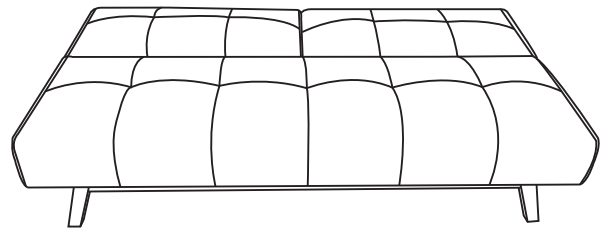


G:1PC

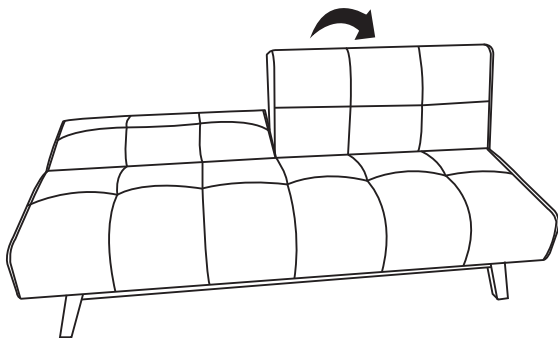
## STEP 1



## STEP 2



## STEP 3



## STEP 4

