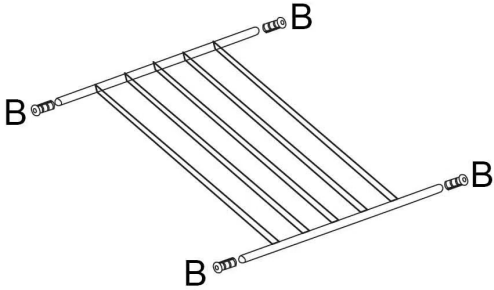
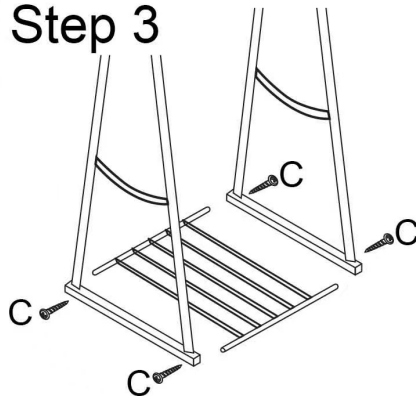


## Step 1



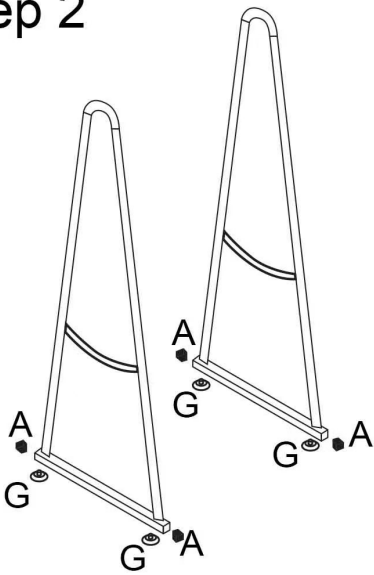
Insert the plastic tox (B) on all 4 tube ends of the bottom rack.

## Step 3



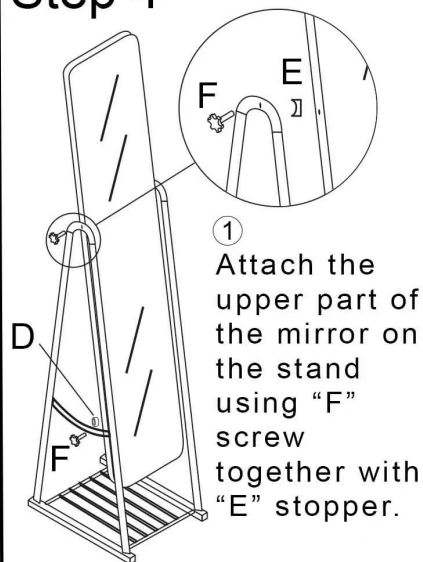
Assemble the bottom rack and the stand base together using "C" screw.

## Step 2



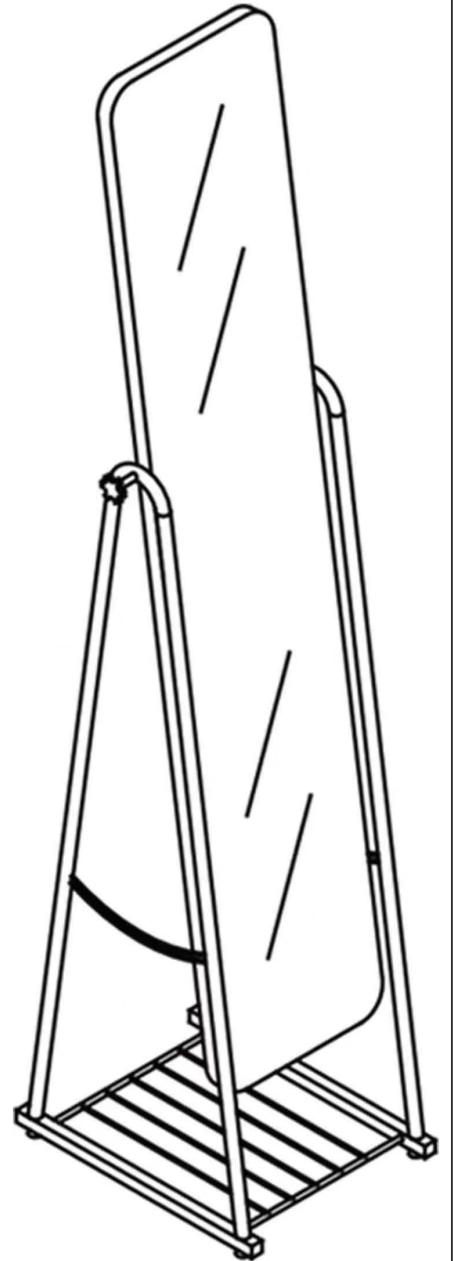
Insert the plastic caps (A) on the open part of the stand base then attach the 4 adjustable footings (G)

## Step 4



① Attach the upper part of the mirror on the stand using "F" screw together with "E" stopper.

② Then attach the lower part of the mirror on the stand brace using "F" screw together with "D" stopper.



## HARDWARE LIST

A		Plastic Caps	4 pcs	F		Screw Knob	4 pcs
B		Plastic Tox	4 pcs	G		Adjustable Footing	4 pcs
C		Screw	4 pcs				
D		Plastic Stopper	2 pcs				
E		Plastic Stopper	2 pcs				