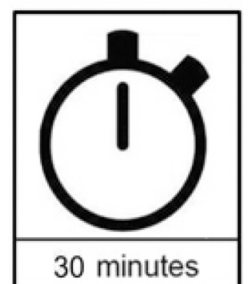
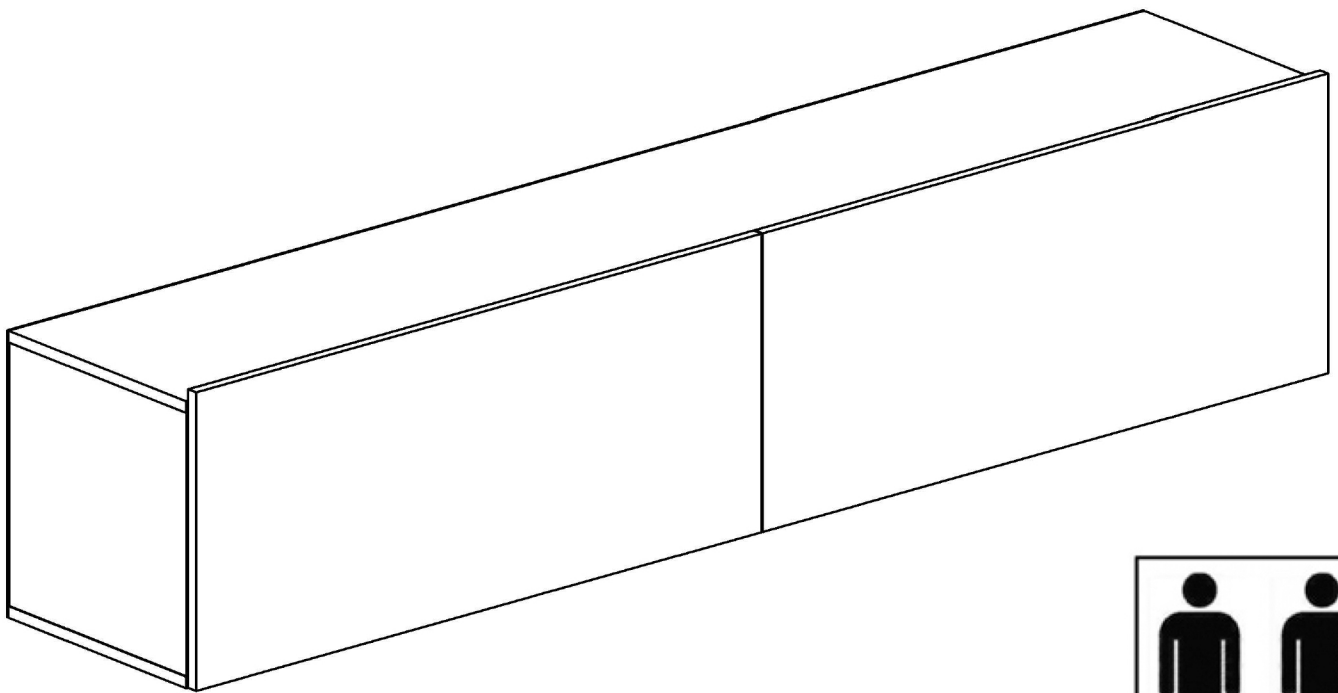
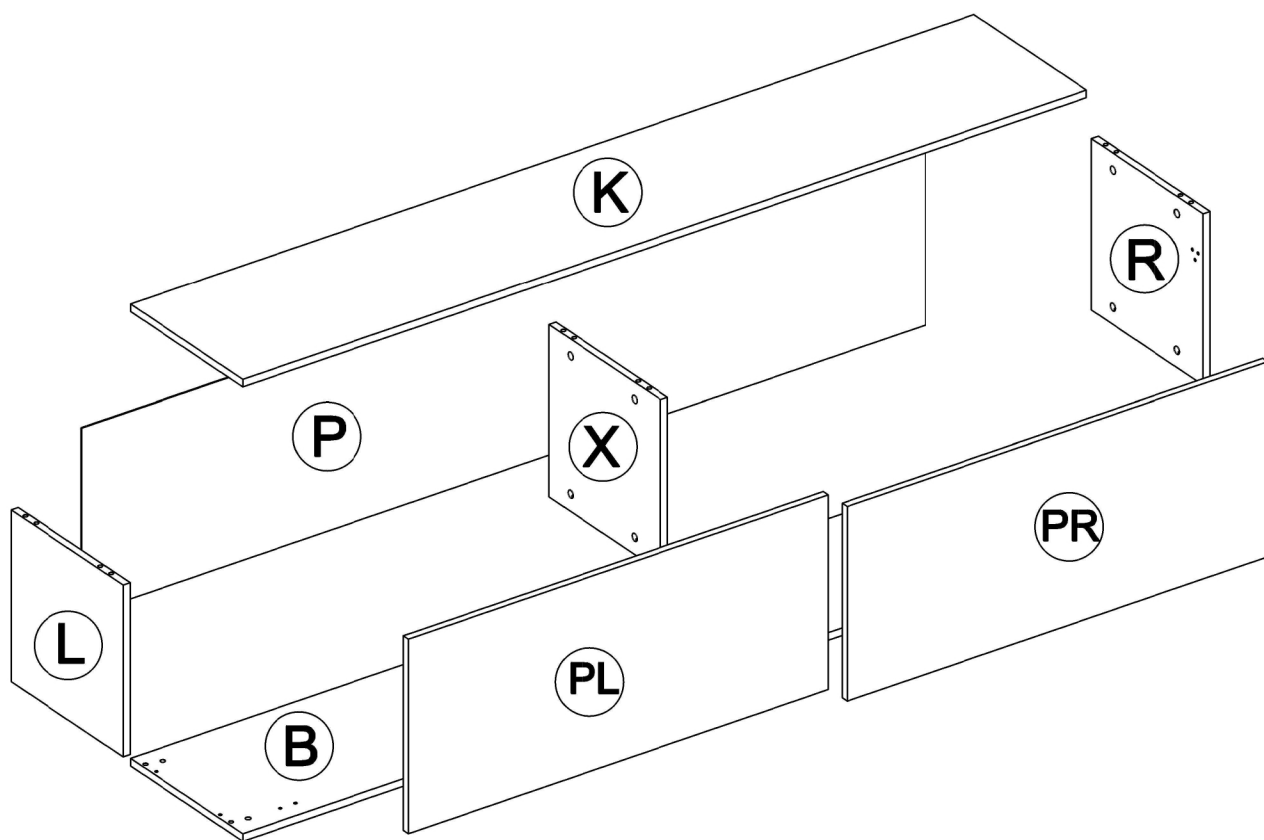
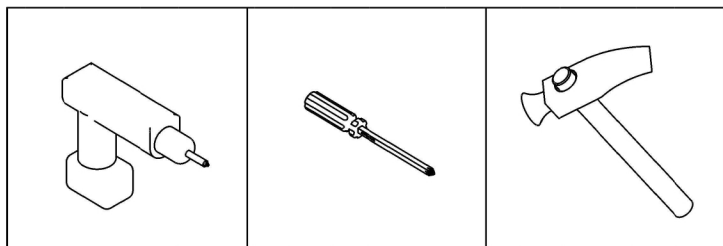


GRK 072 A

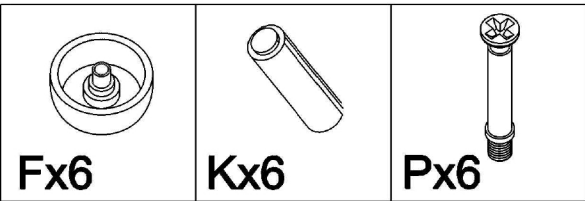
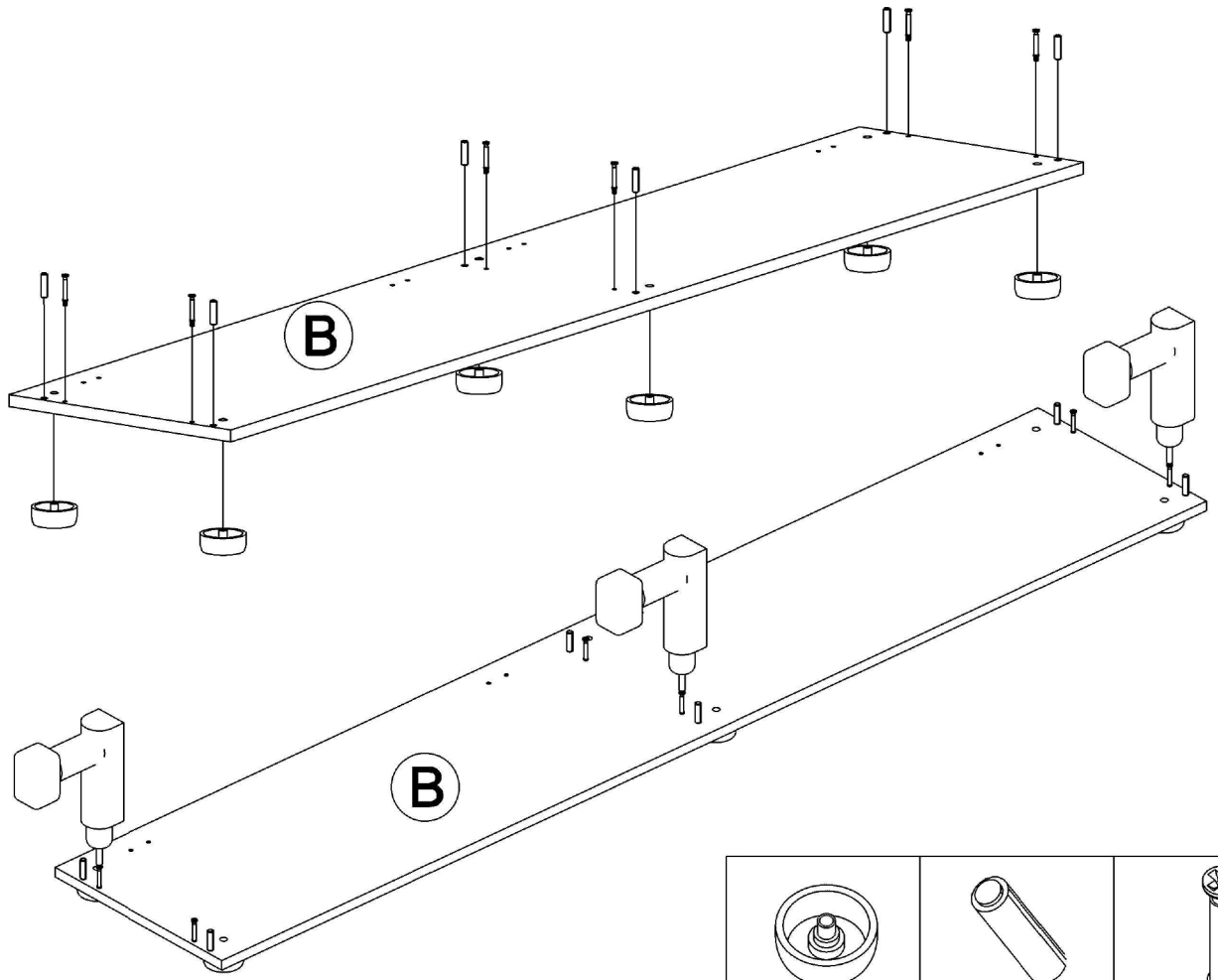


USING TOOLS

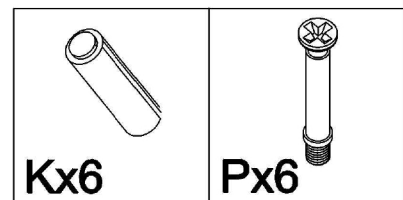
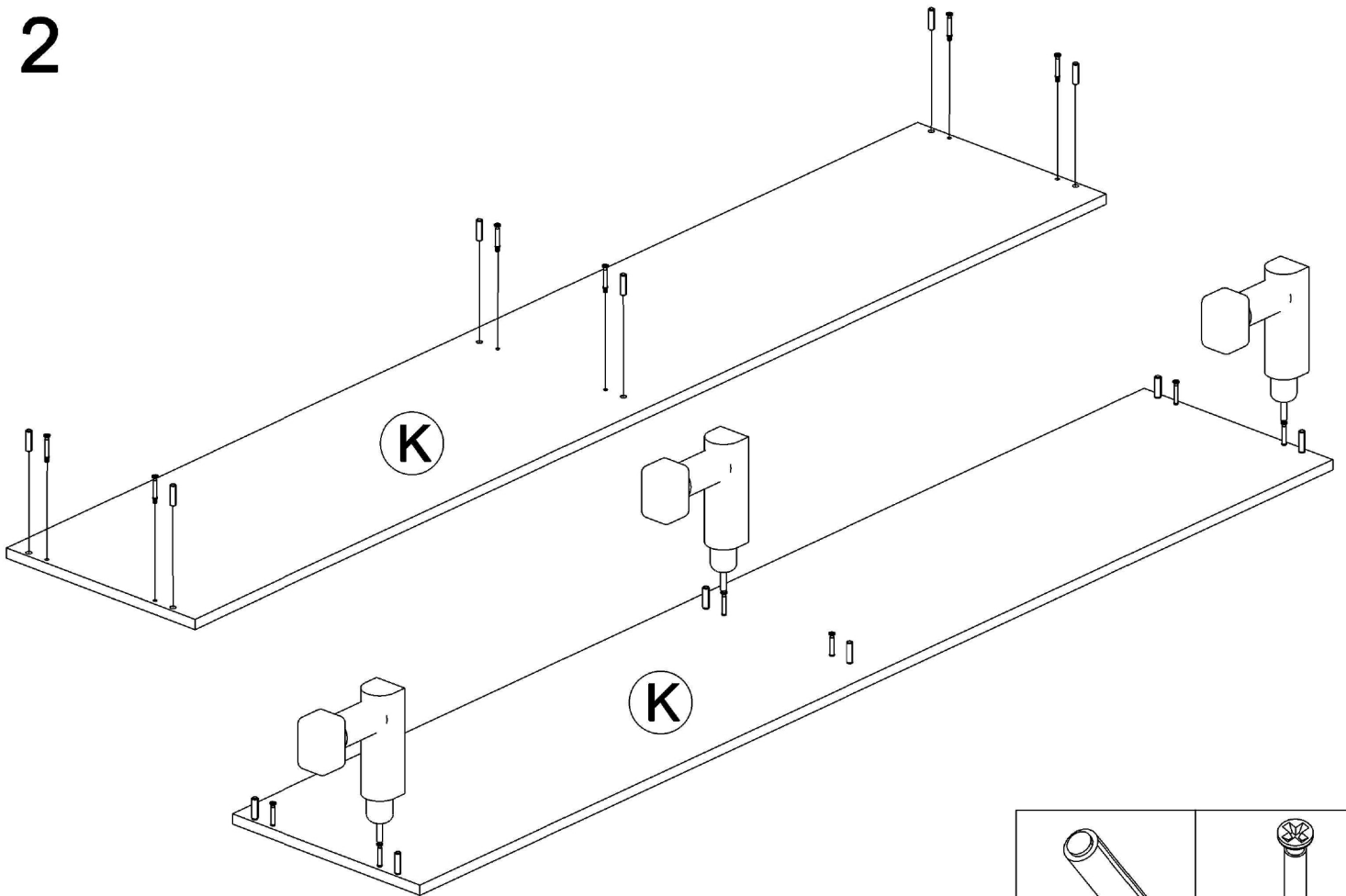


 TX12	 FX12	 PX12	 KX12	 MX4	 3.5x16 Vx26
 PRx30	 Ax2	 ABx2	 ACx2	 Fx6	

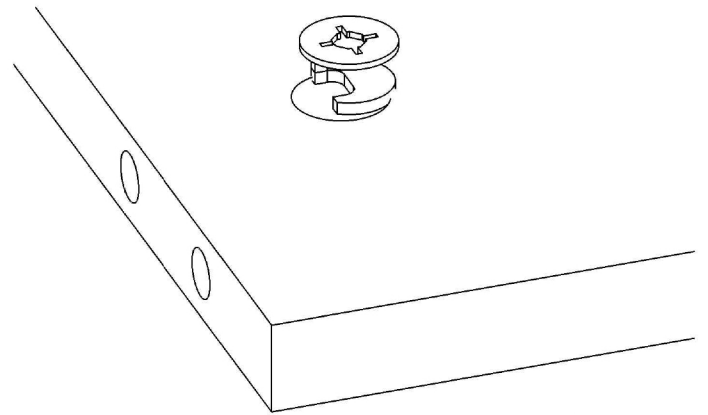
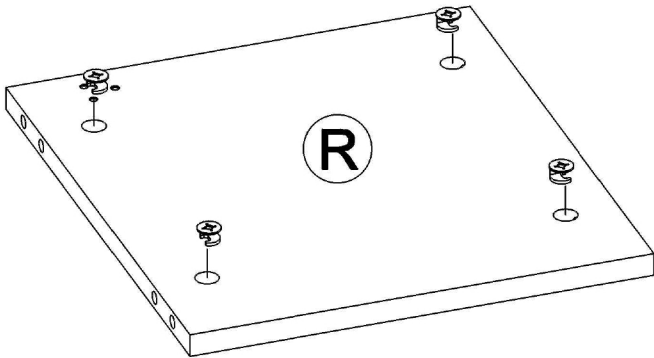
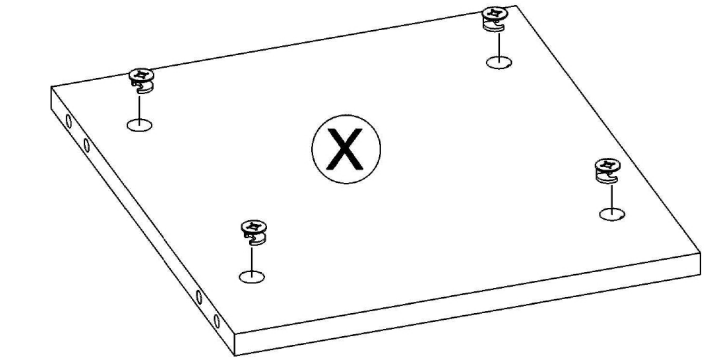
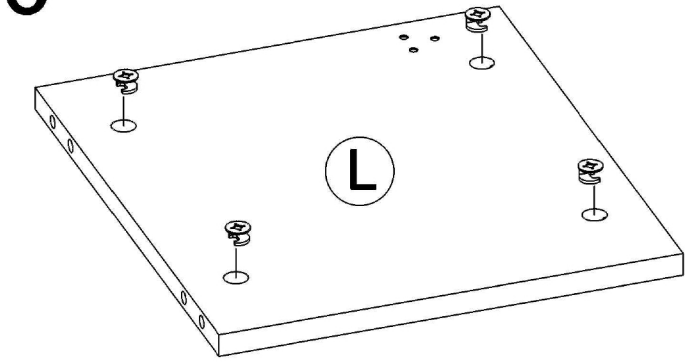
1



2



3



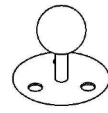
Fx12

4

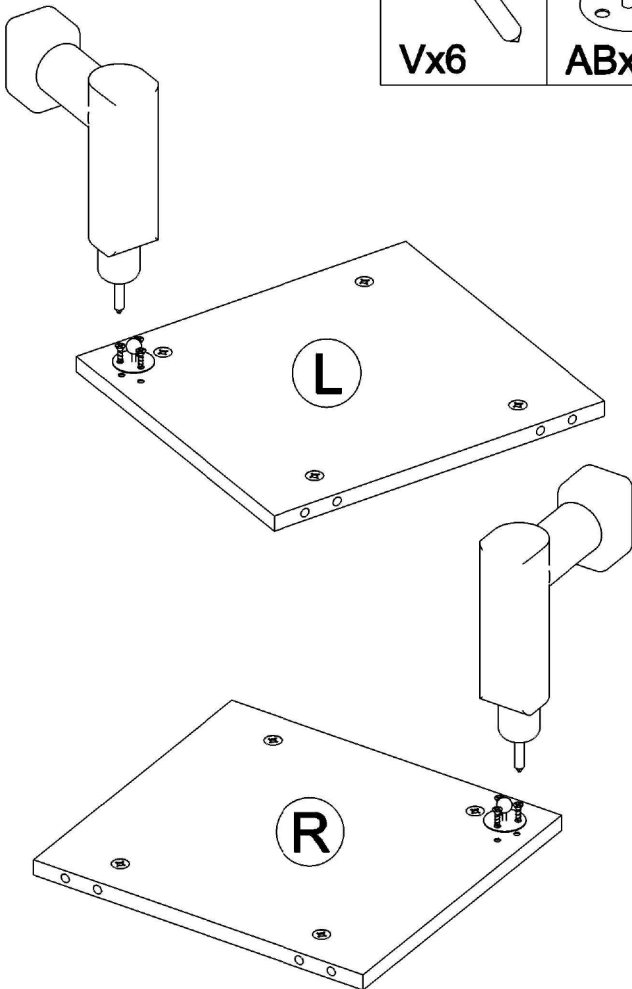
3.5x16



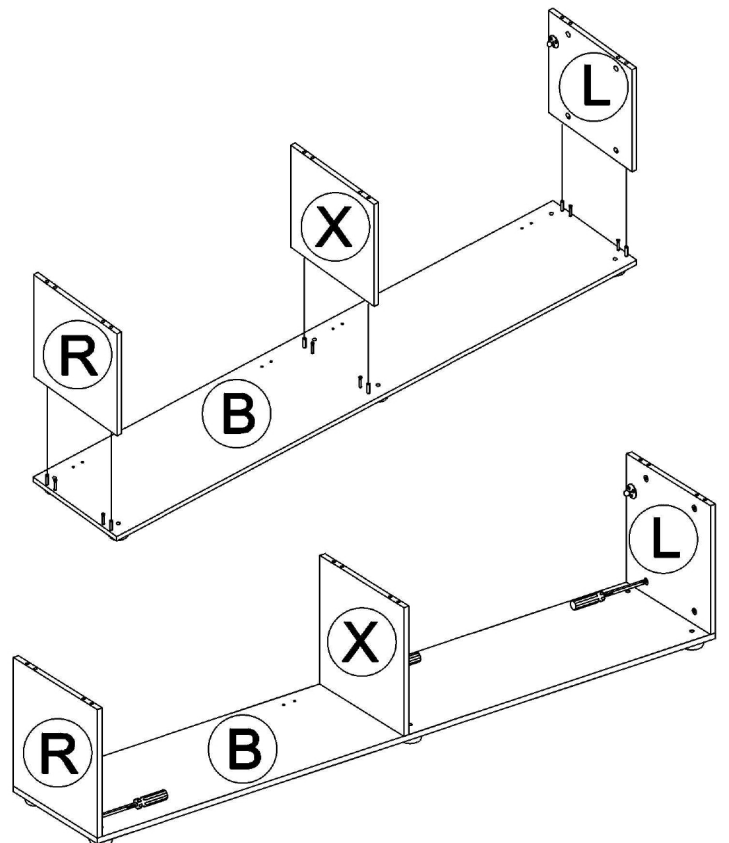
Vx6



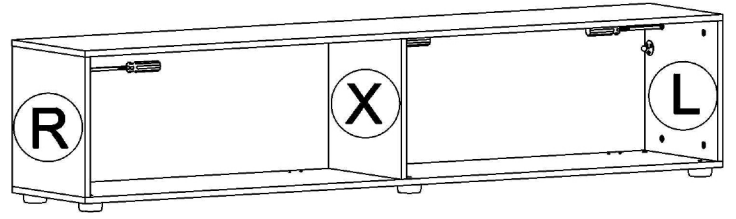
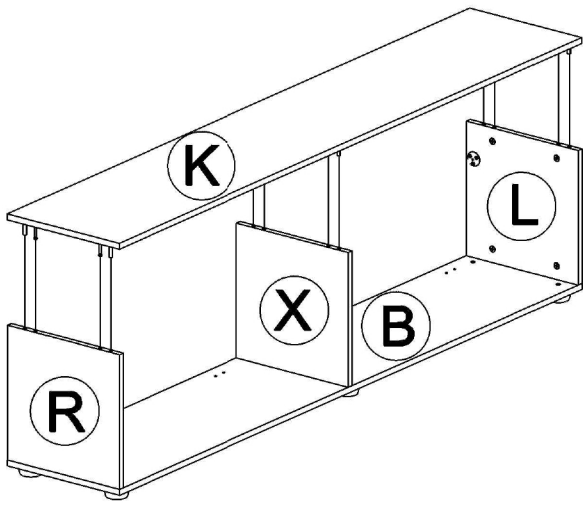
ABx2



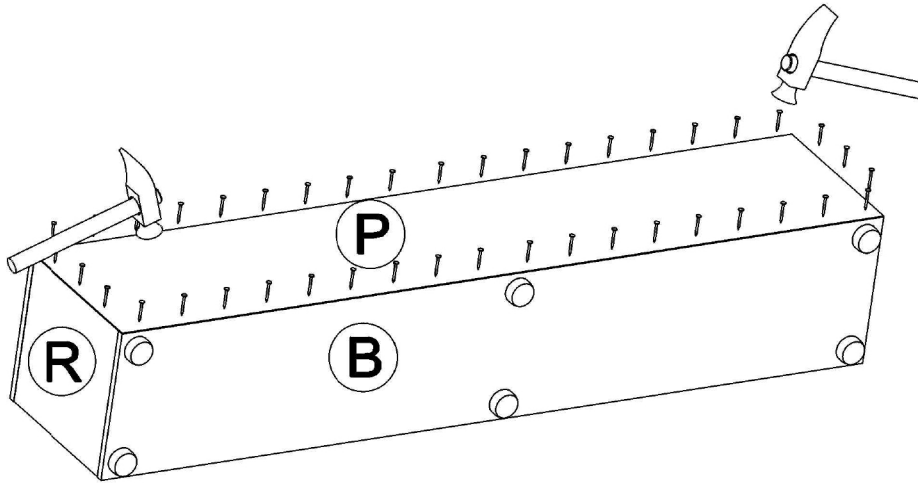
5



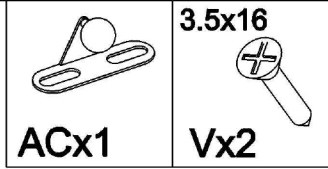
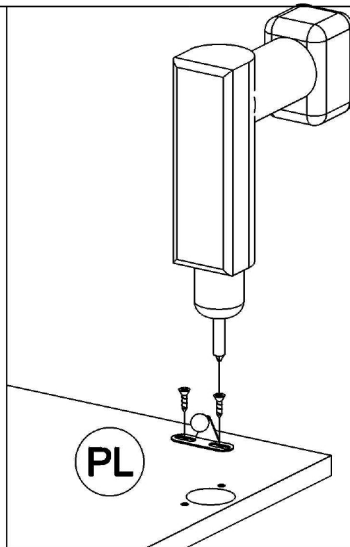
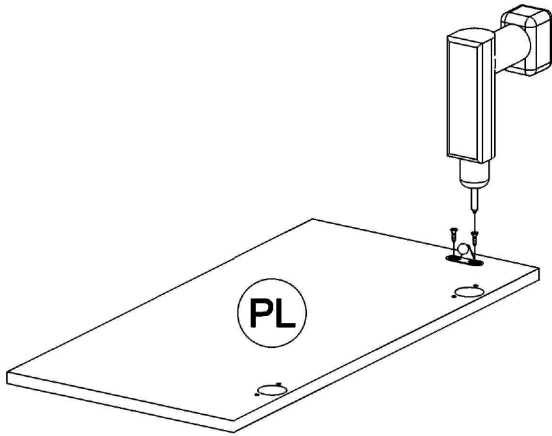
6



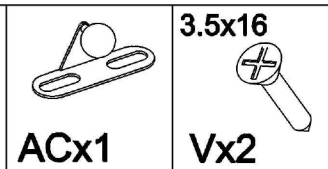
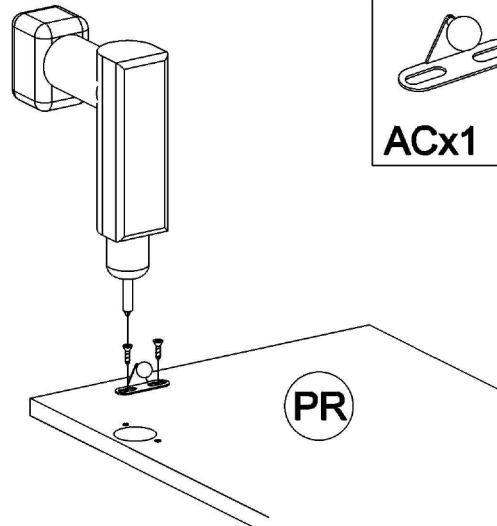
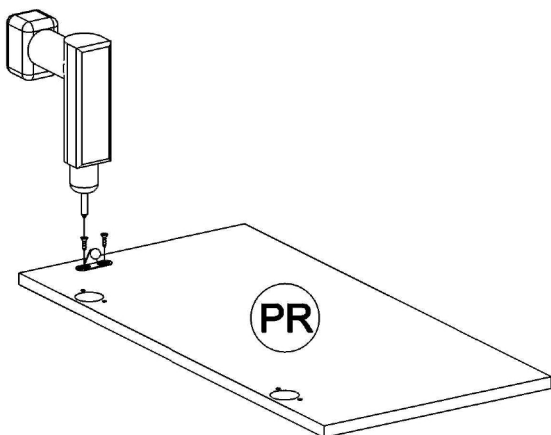
7



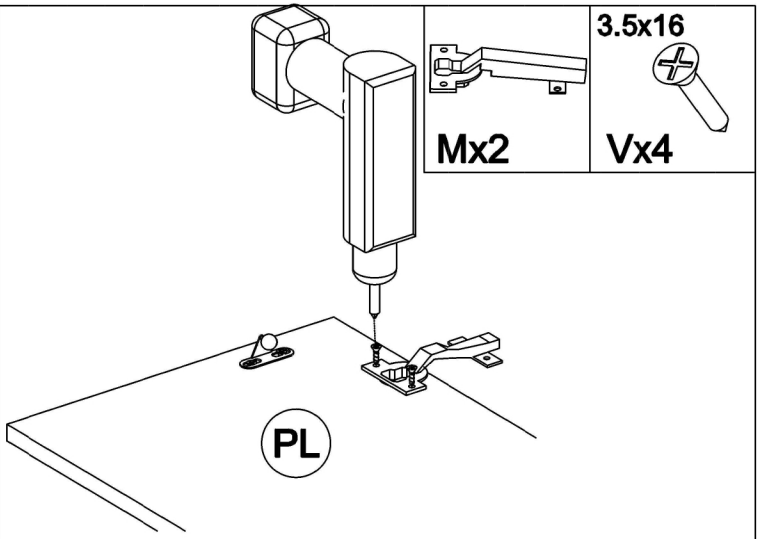
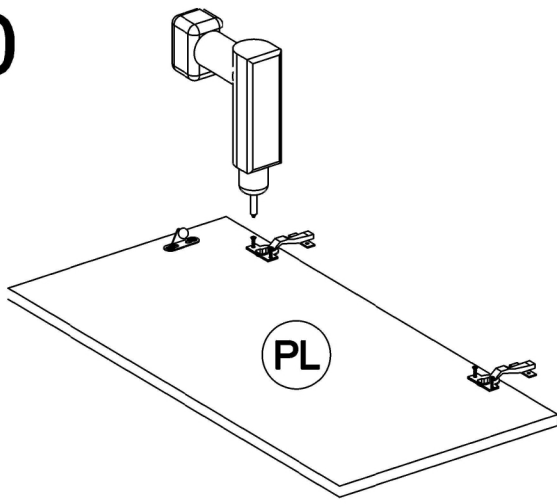
8



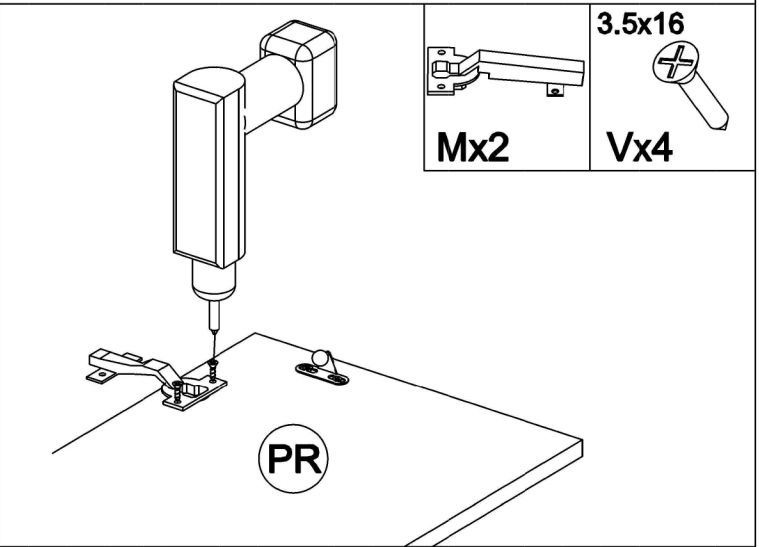
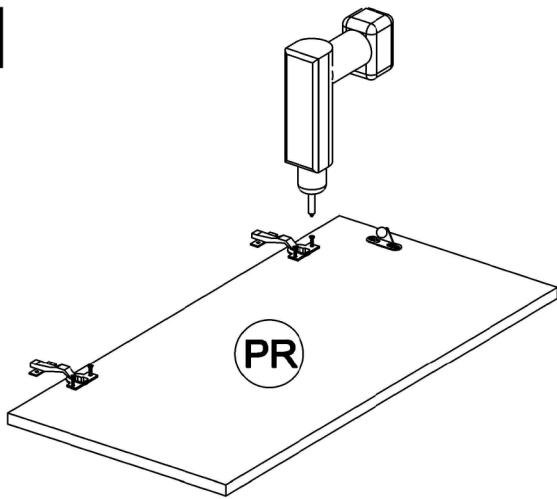
9



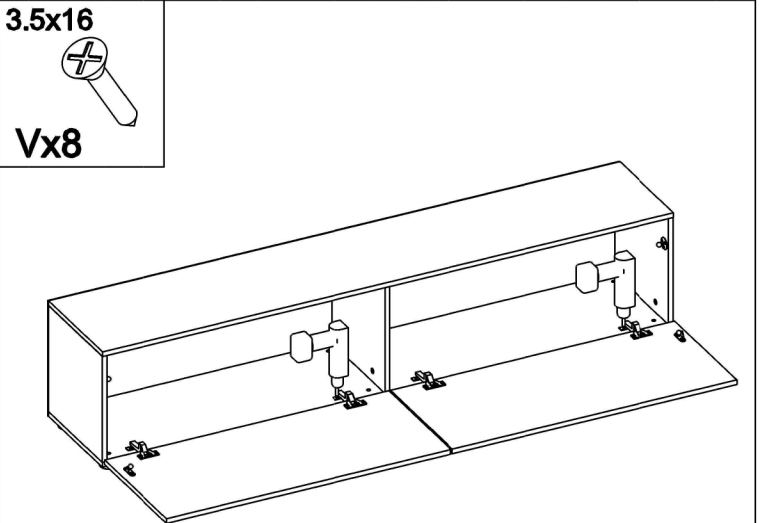
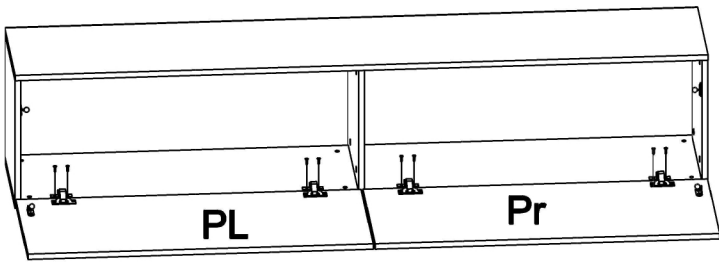
10



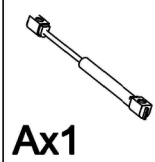
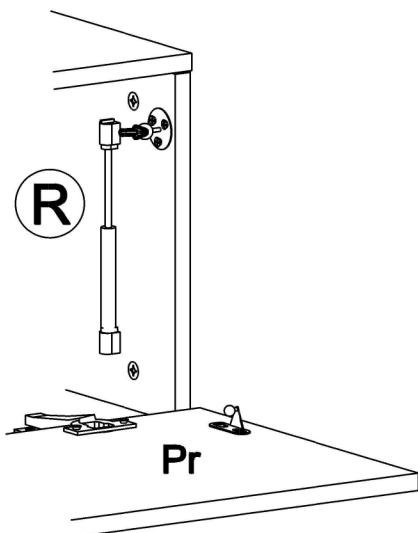
11



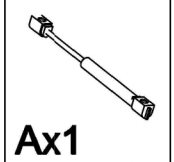
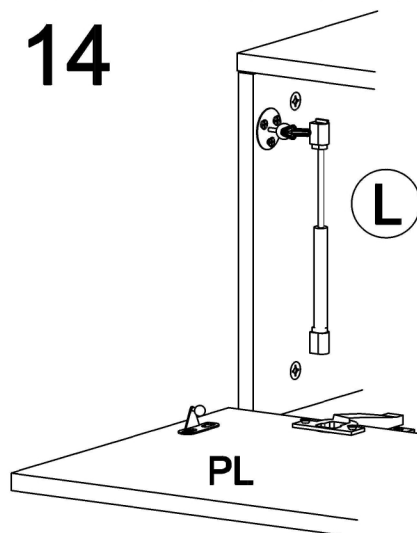
12



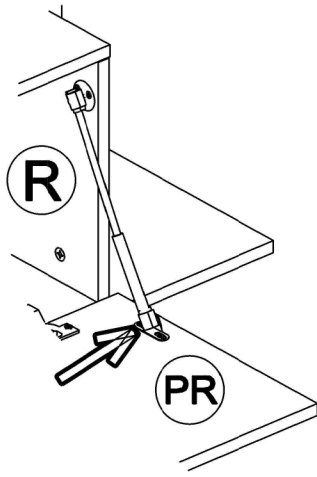
13



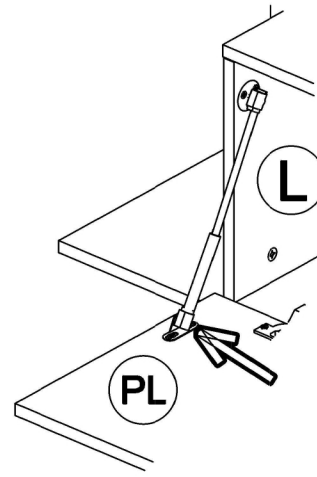
14



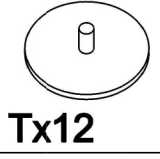
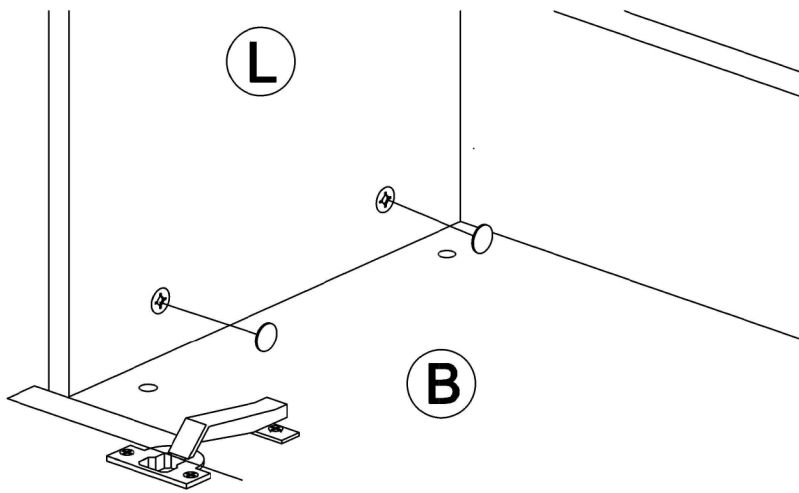
15



16

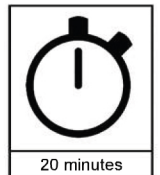
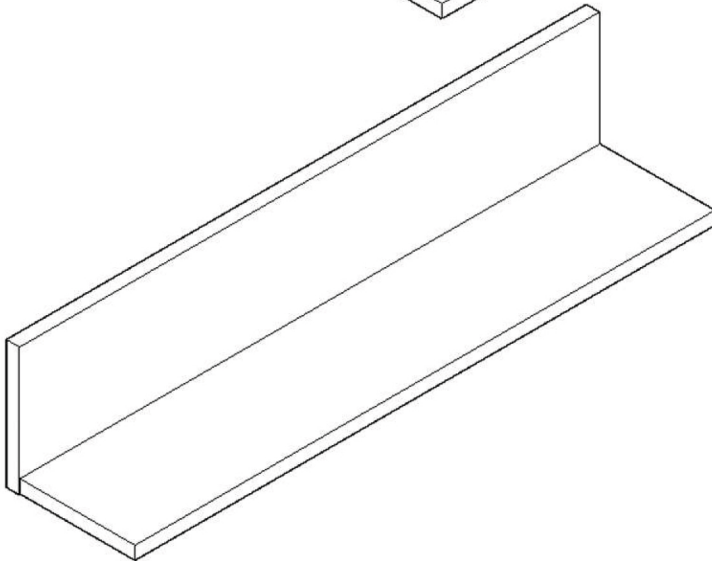
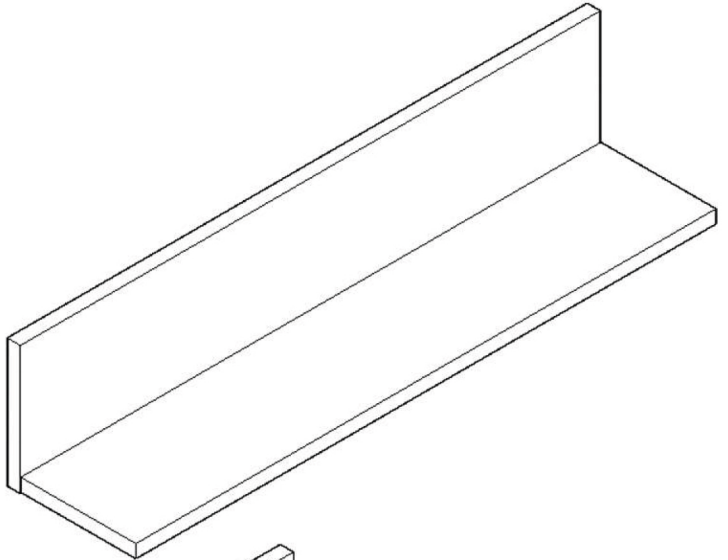


17

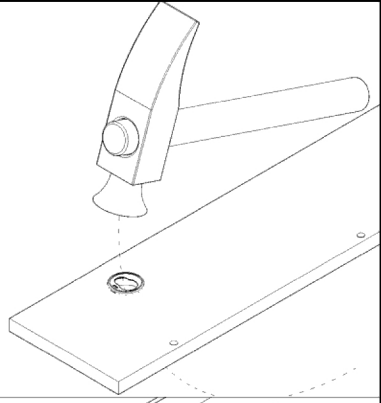
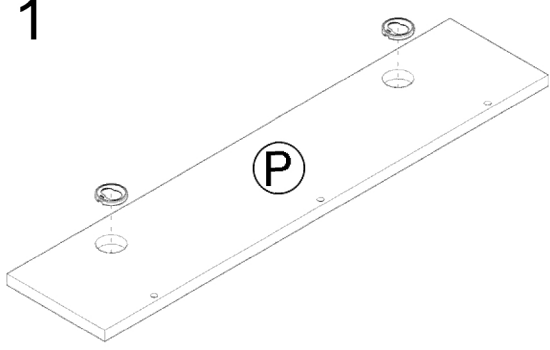


cover all holes

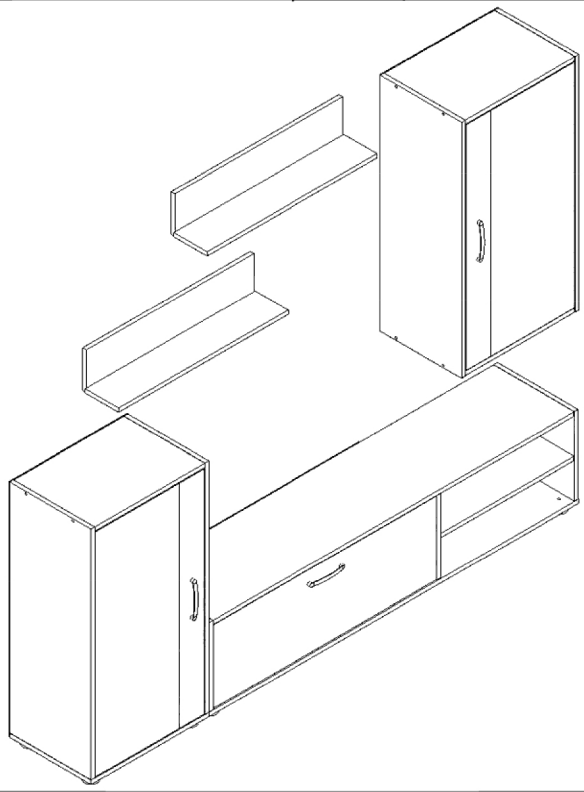
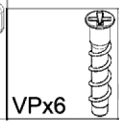
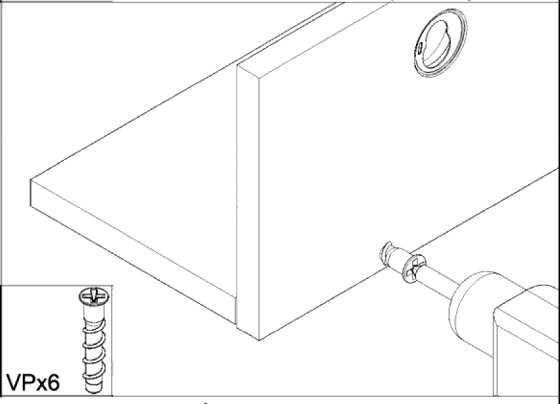
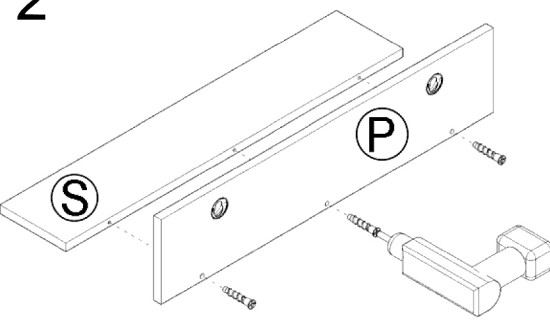
GRK 072 C



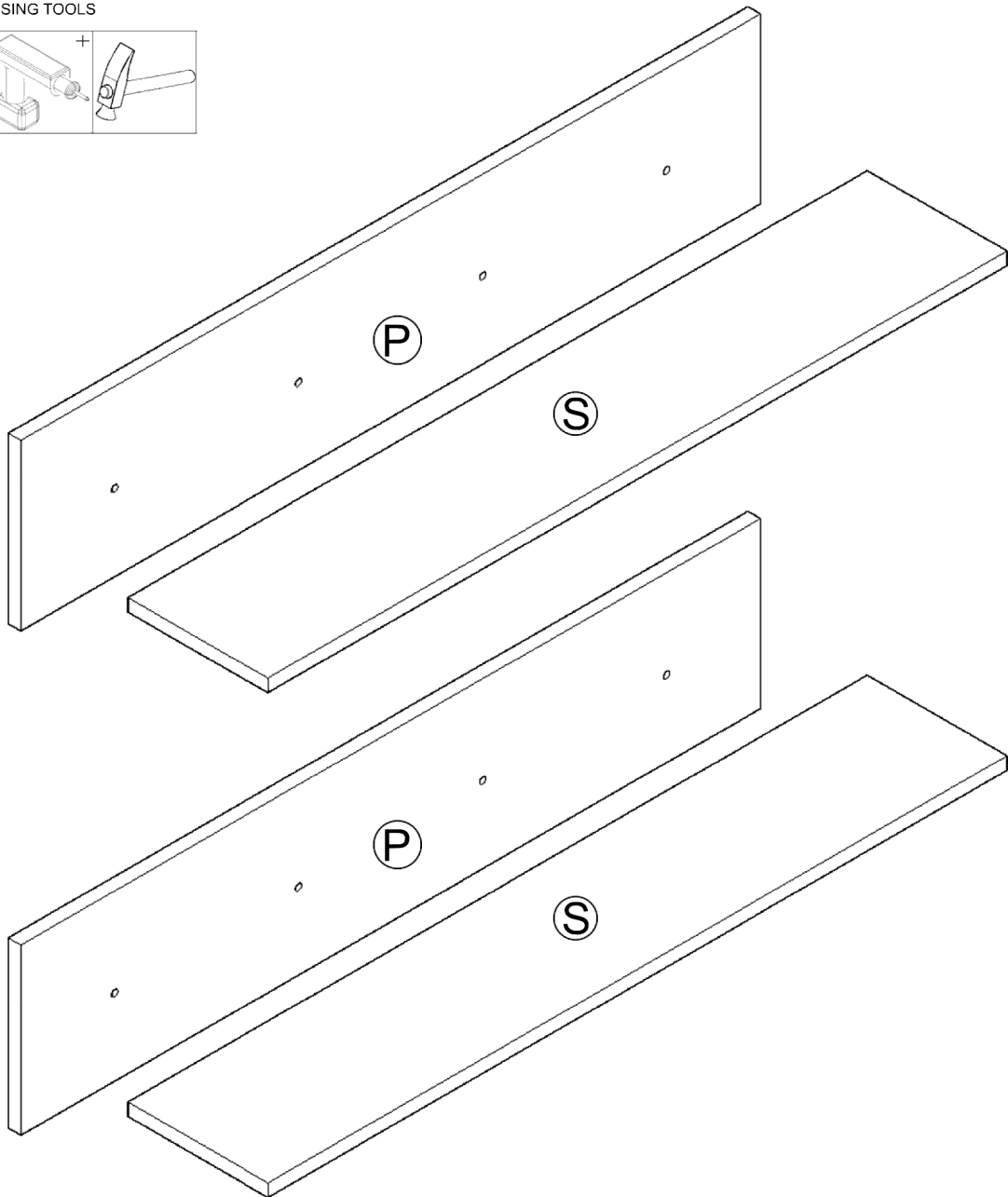
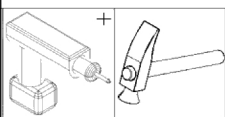
1



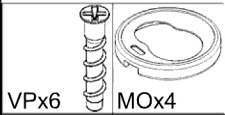
2



USING TOOLS



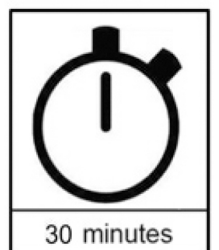
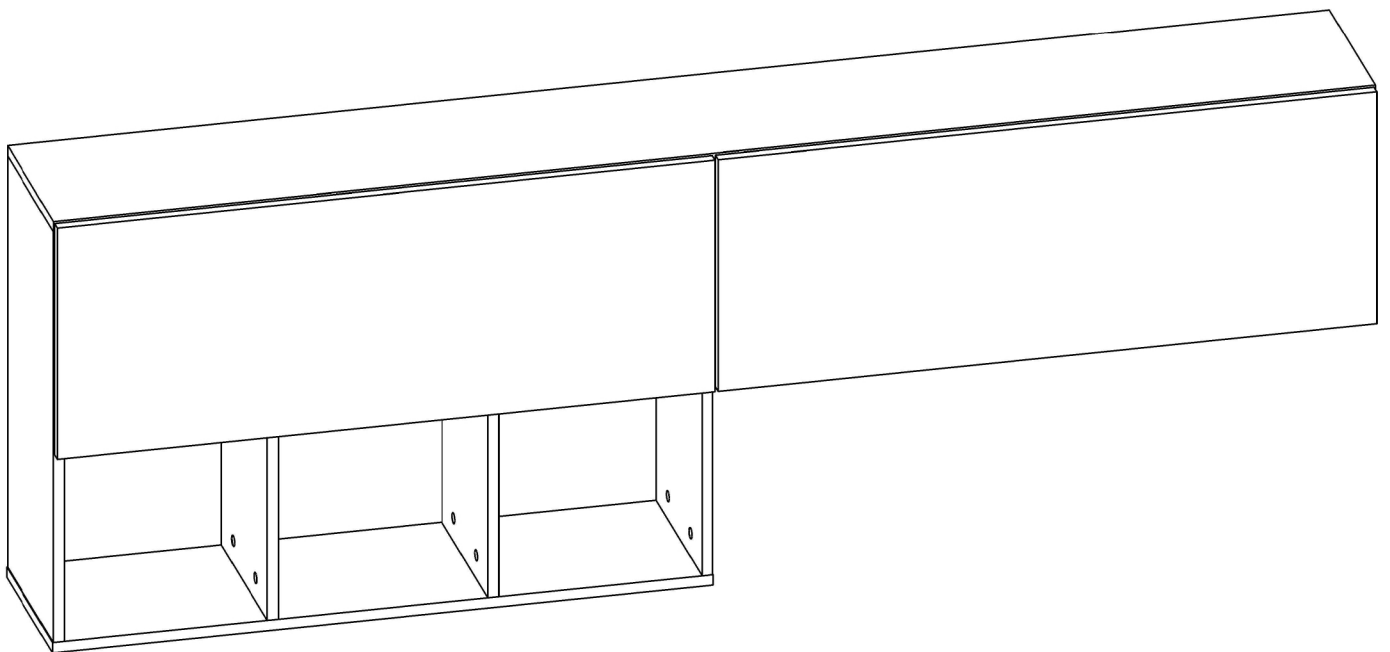
USING HARDWARE



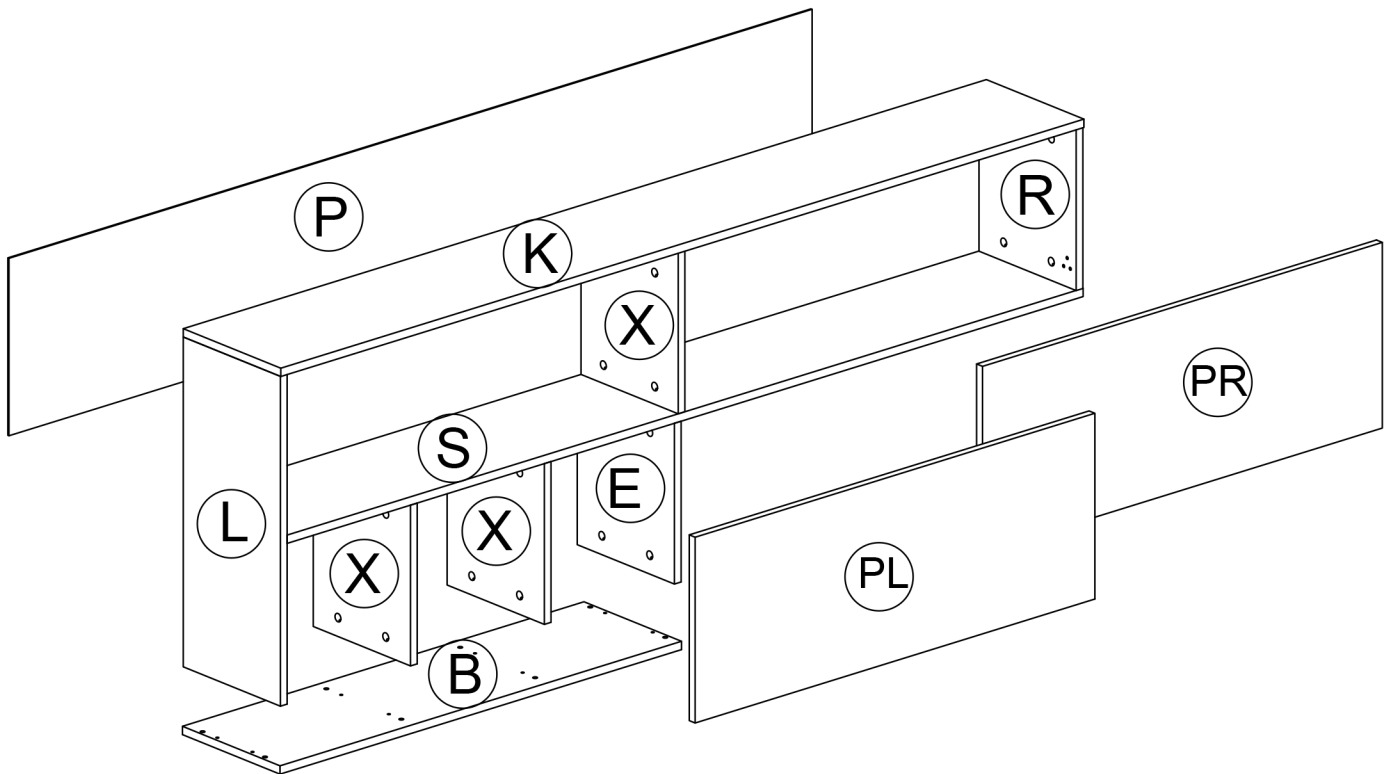
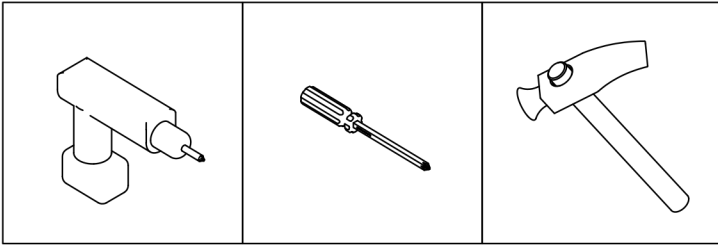
VPx6

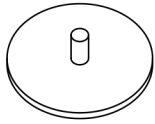
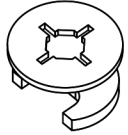


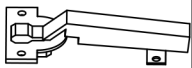

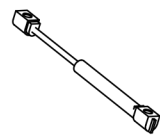
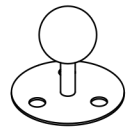


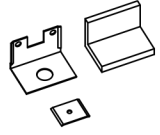
MOx4

GRK 072 B

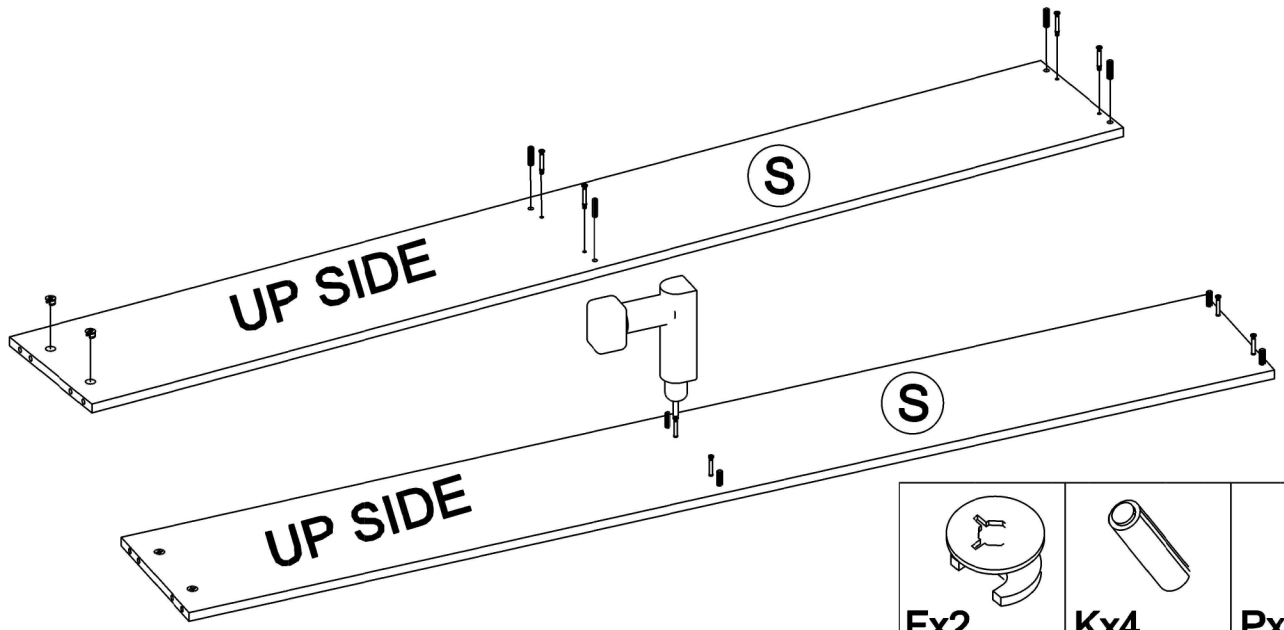


USING TOOLS

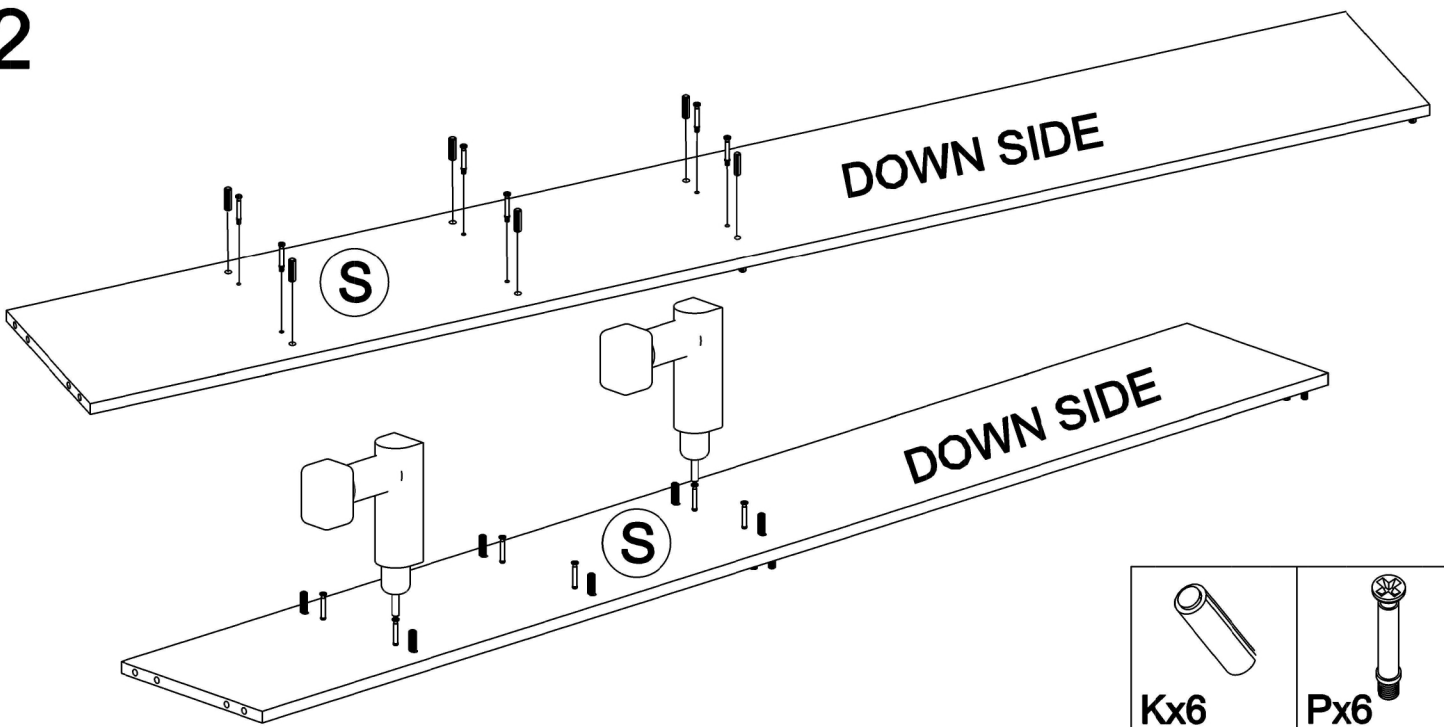


 Tx26	 Fx26	 Px26	 Kx26	 Mx4	
 PRx30	 Ax2	 ABx2	 ACx2	 3.5x16 Vx30	 Gx4

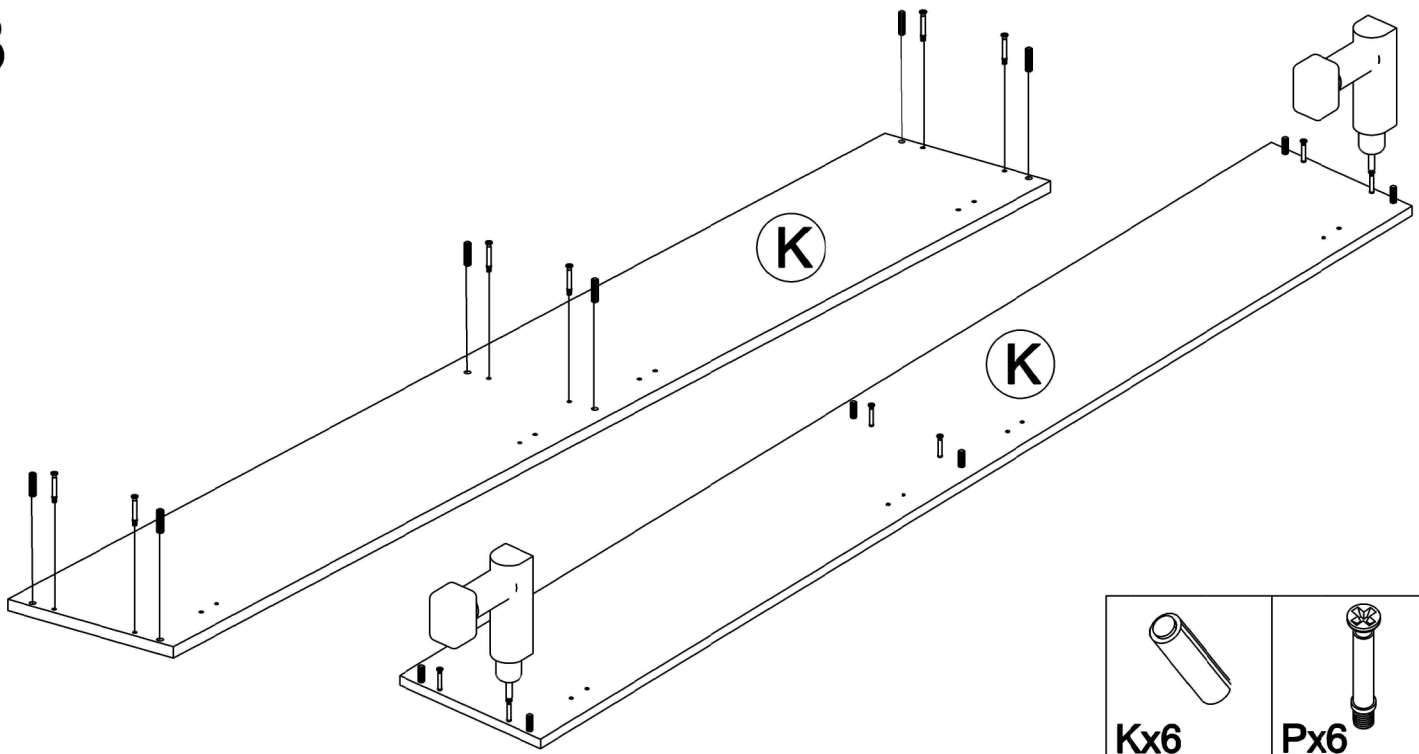
1



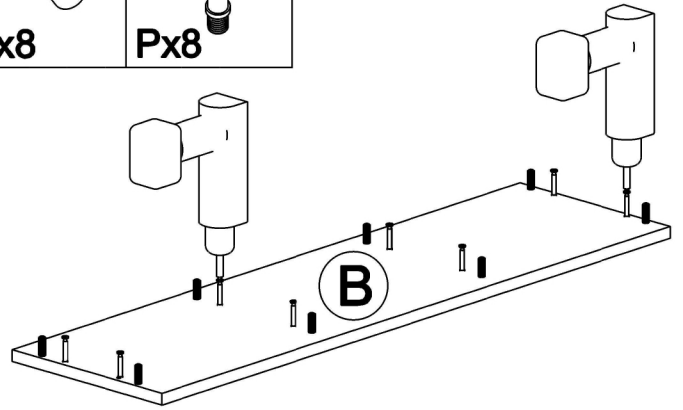
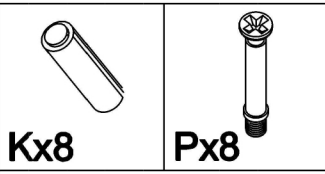
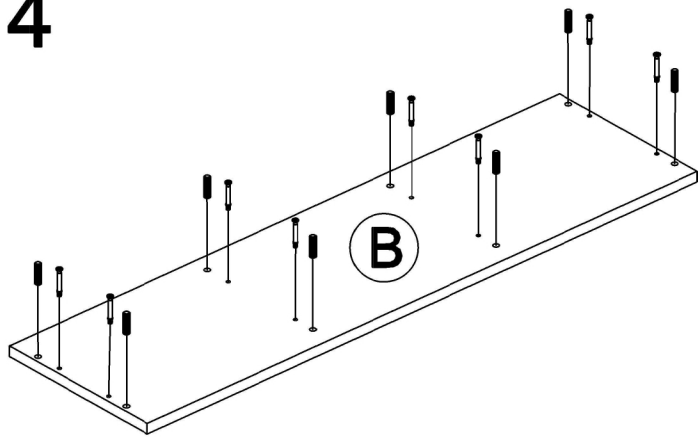
2



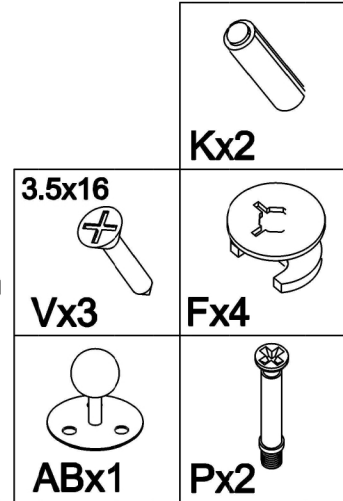
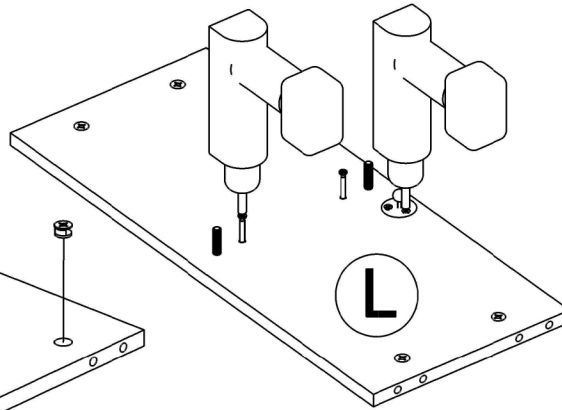
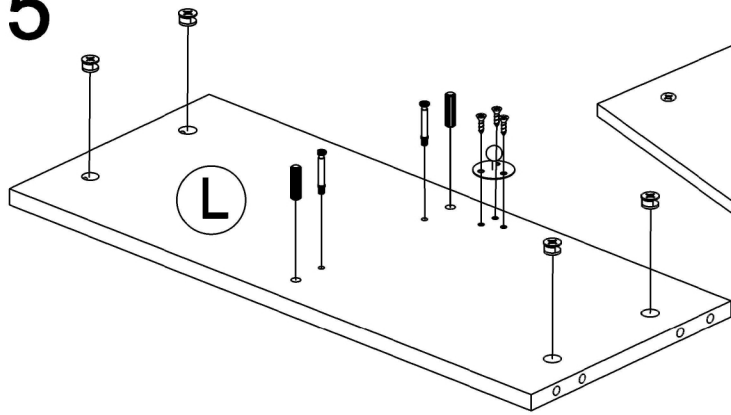
3



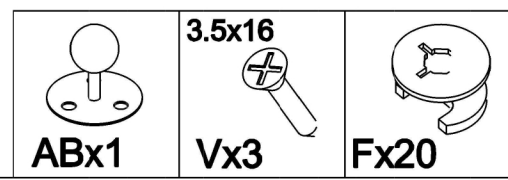
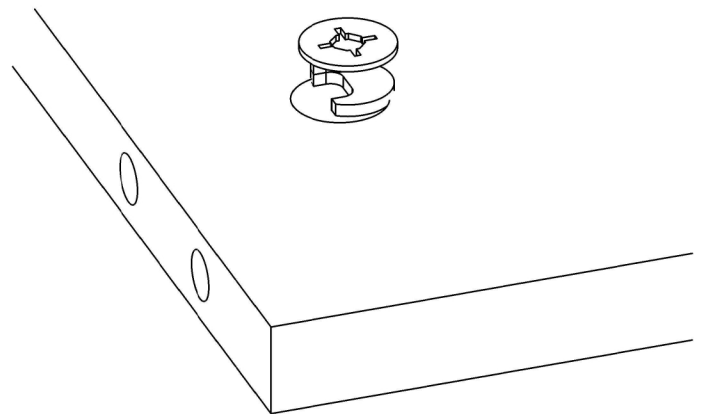
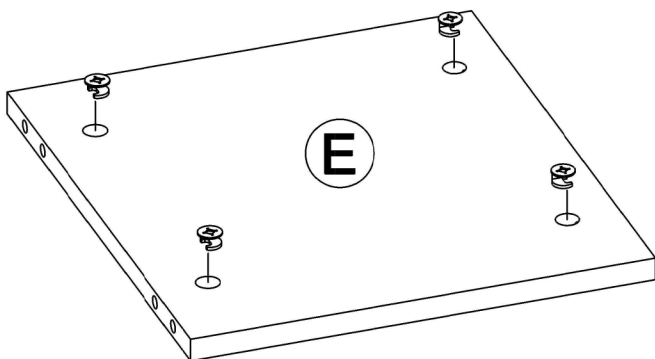
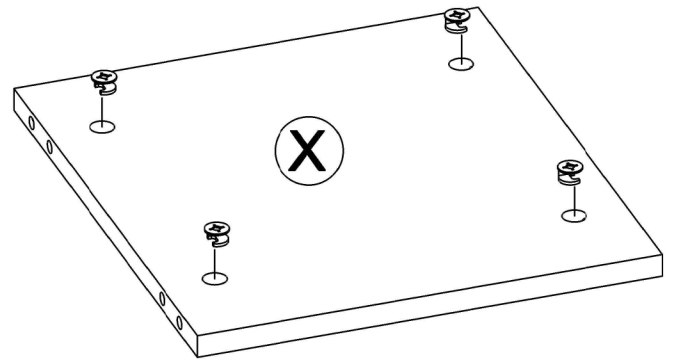
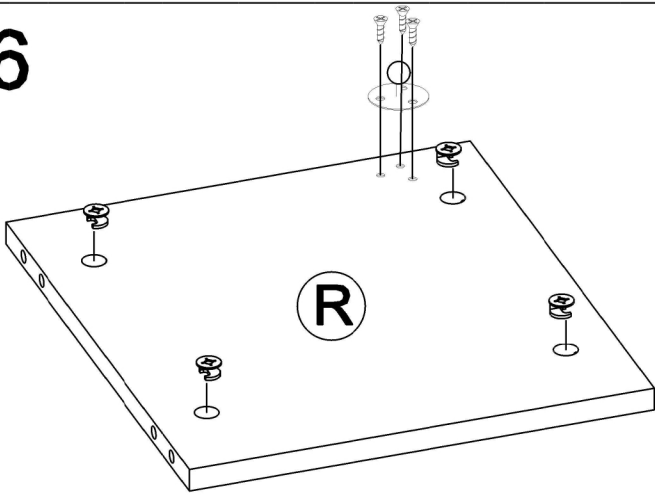
4



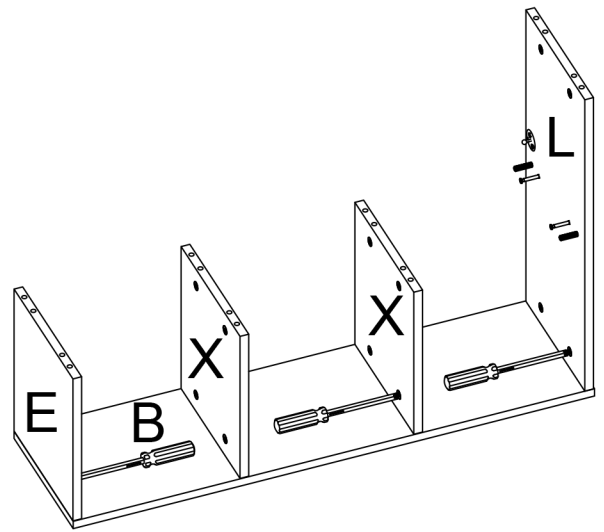
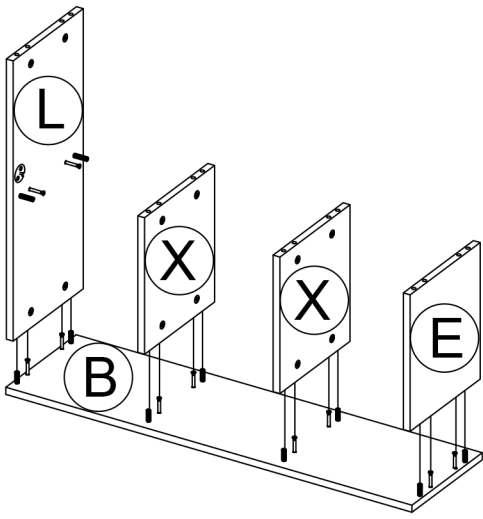
5



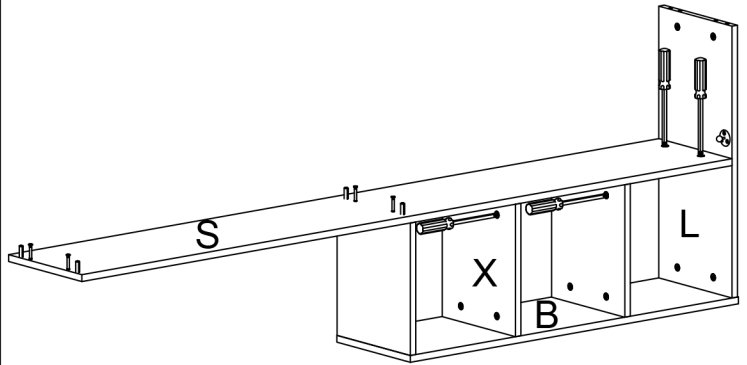
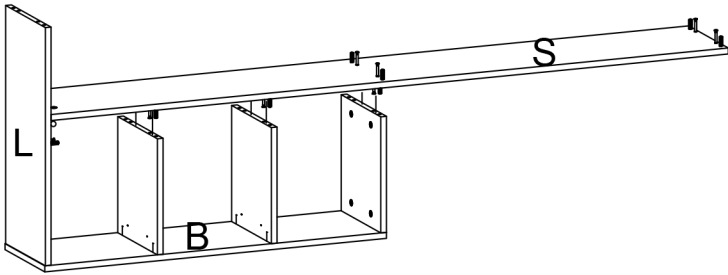
6



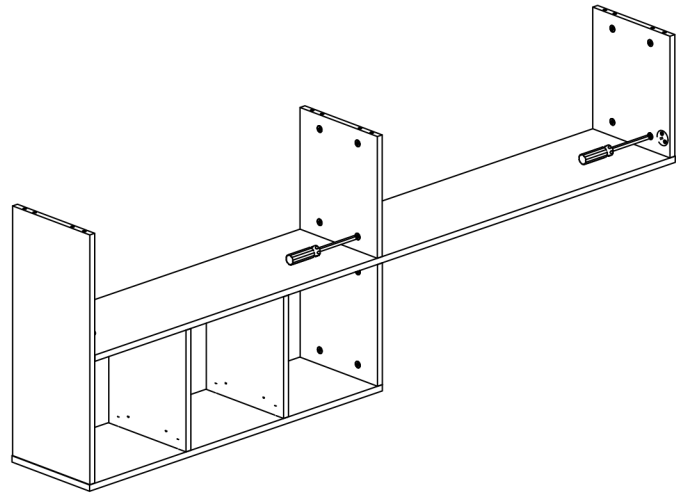
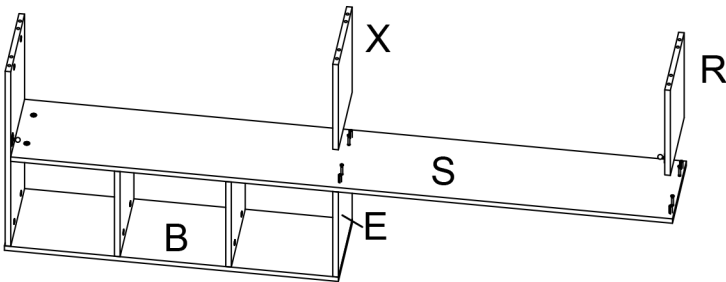
7



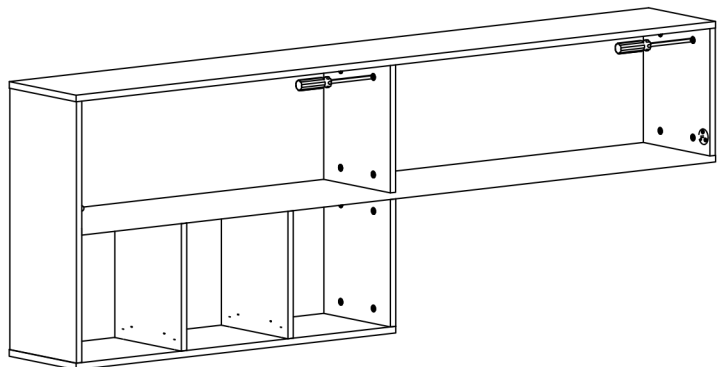
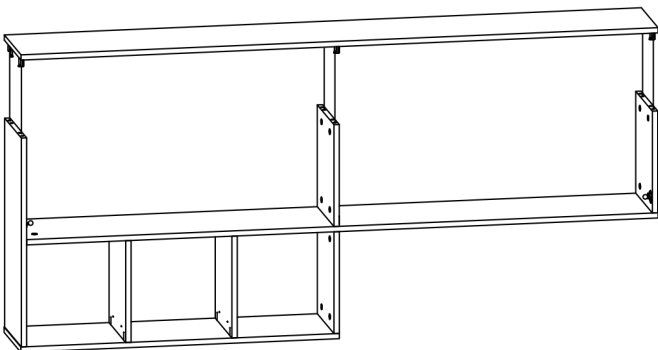
8



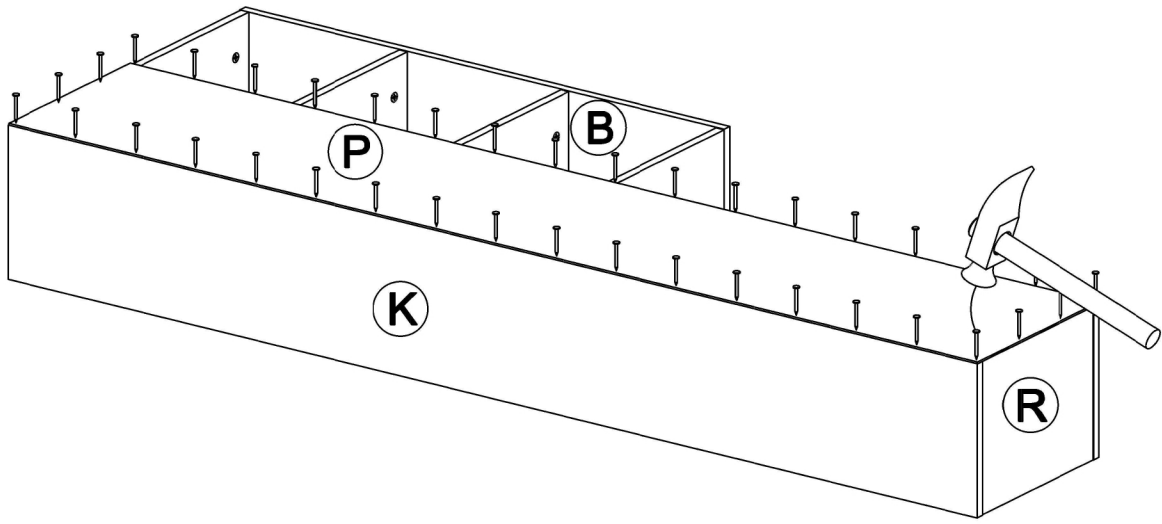
9



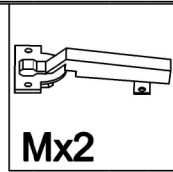
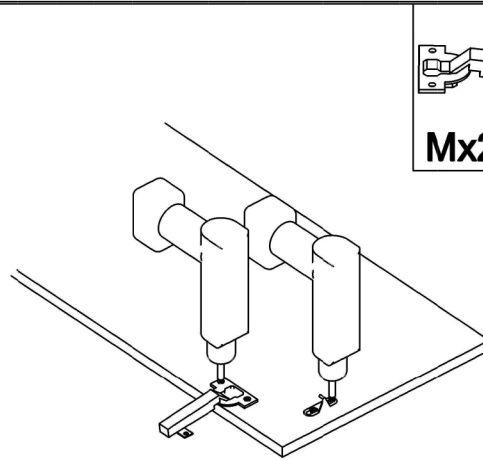
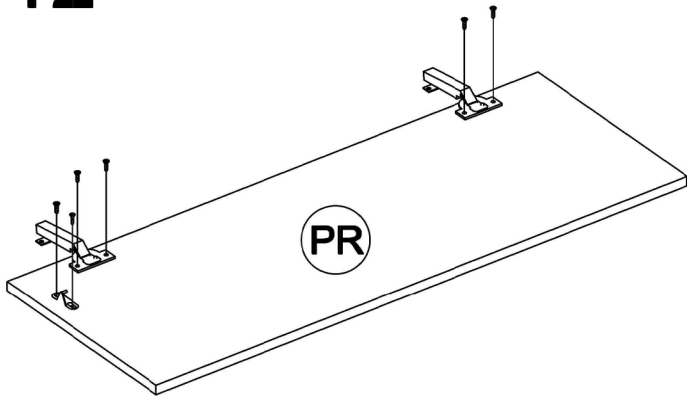
10



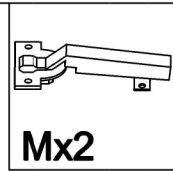
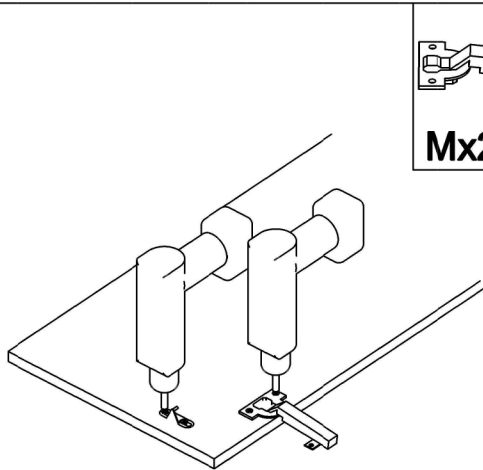
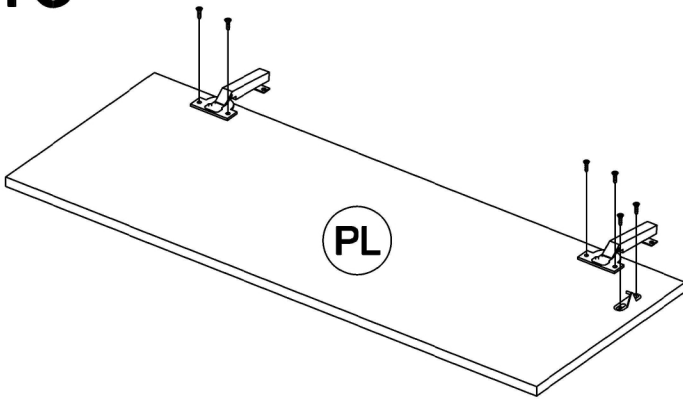
11



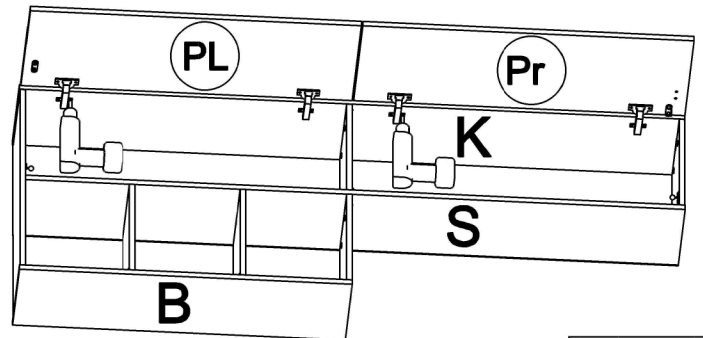
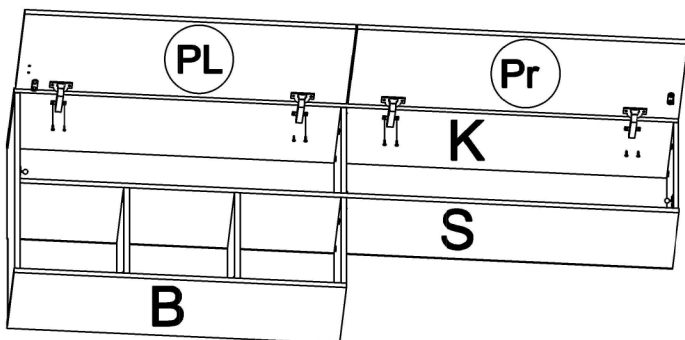
12



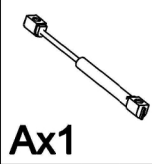
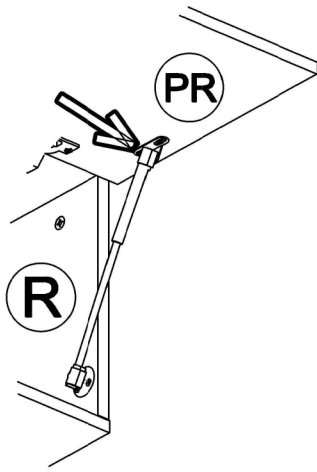
13



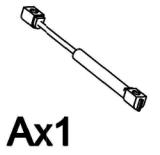
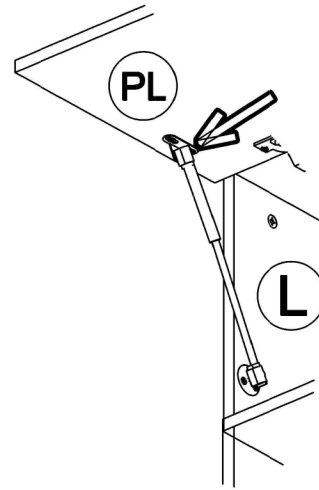
14



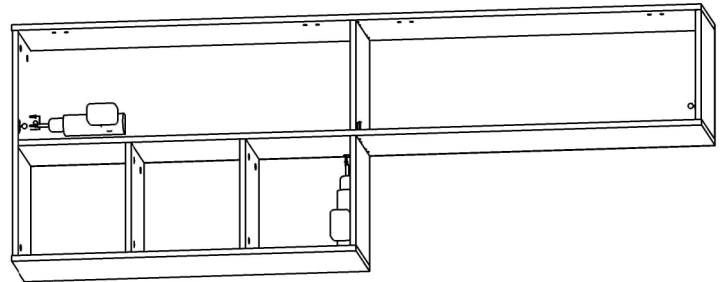
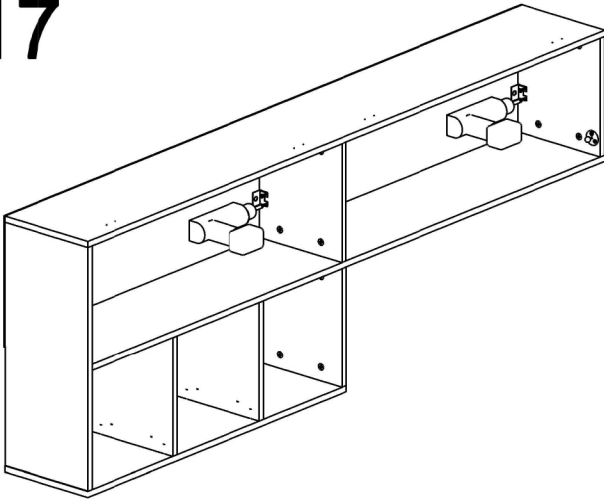
15



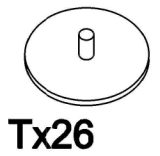
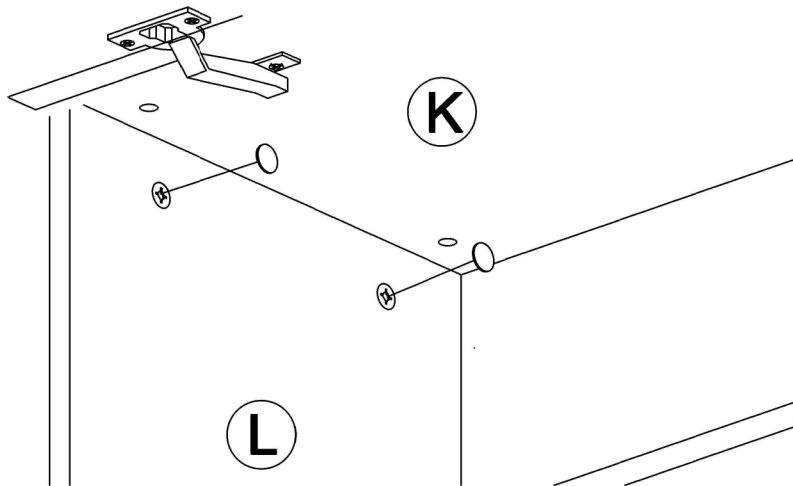
16



17



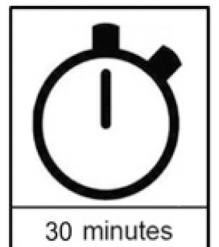
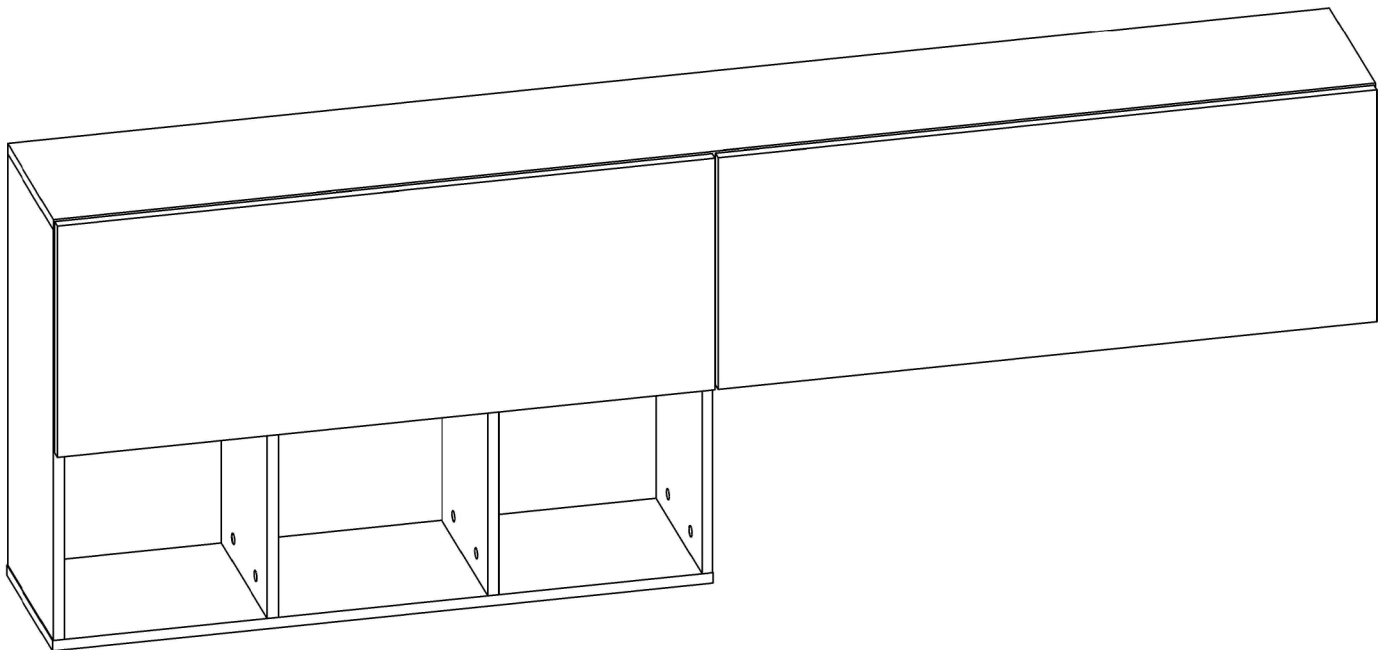
18



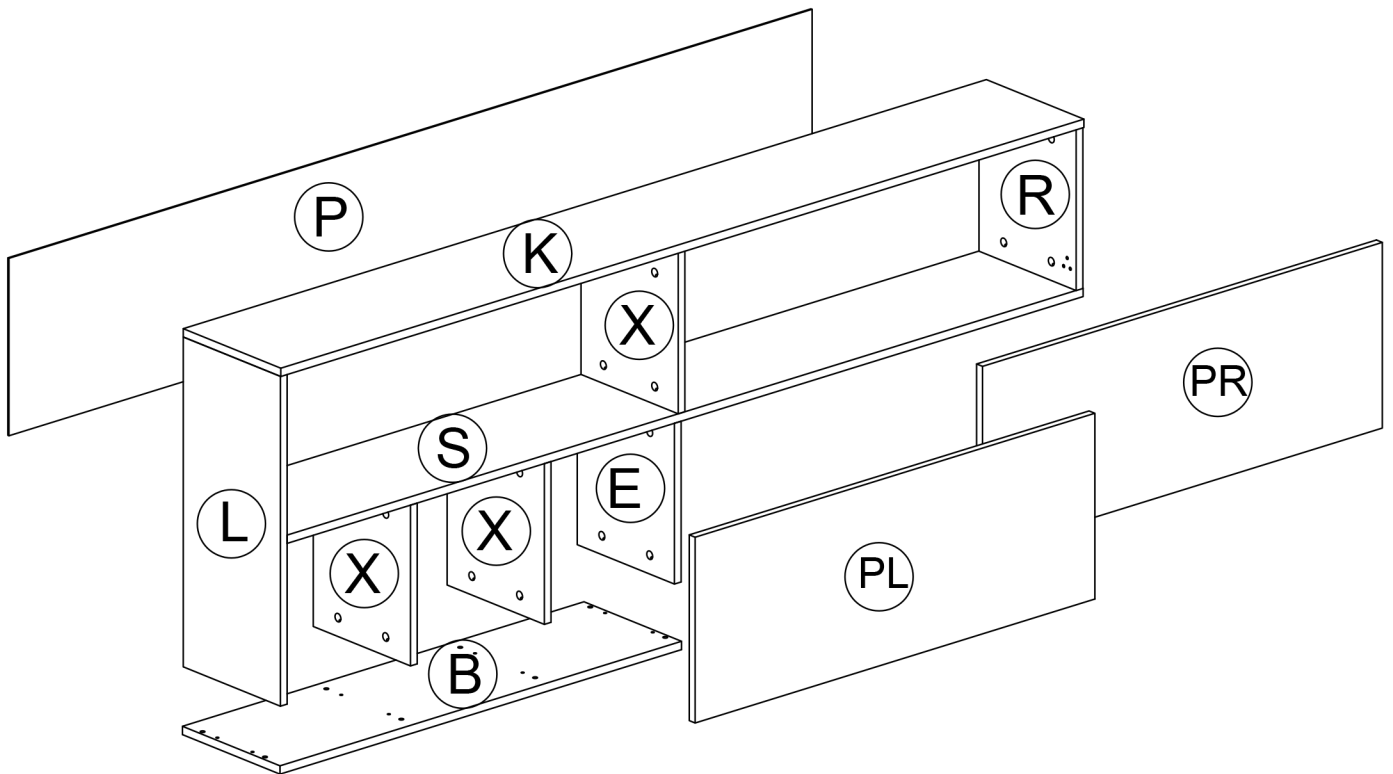
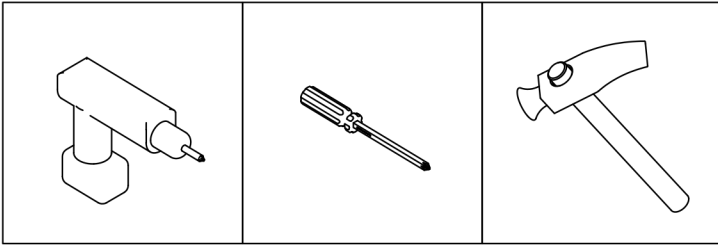
cover all holes



GRK 072 B

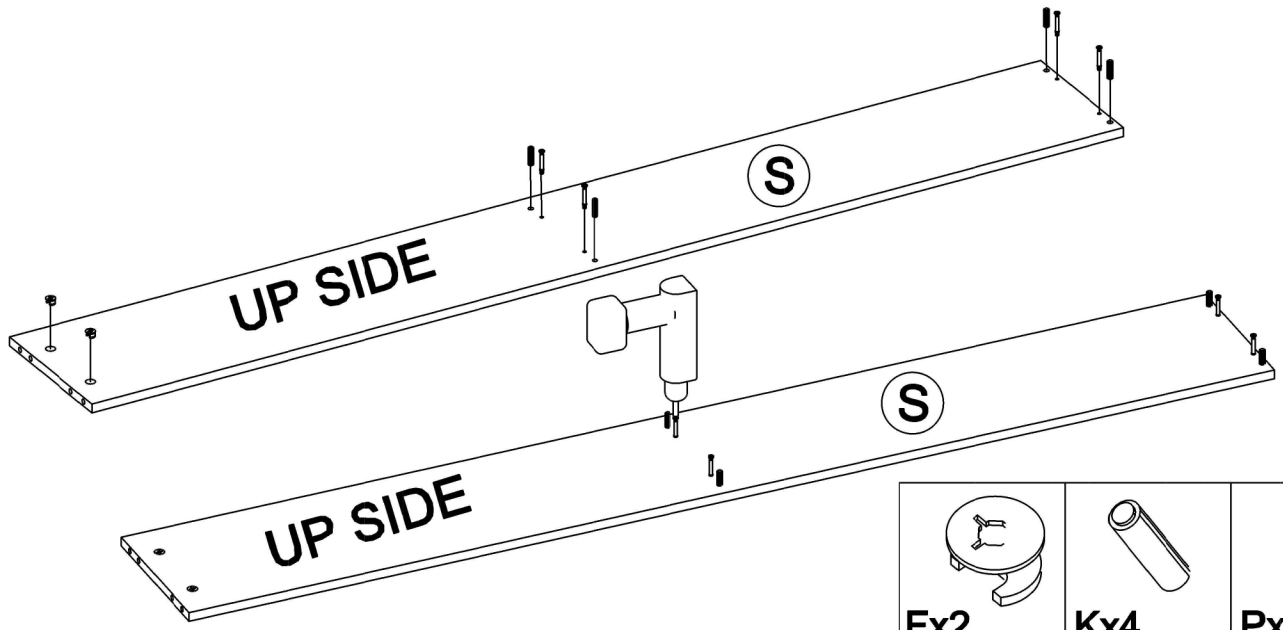


USING TOOLS

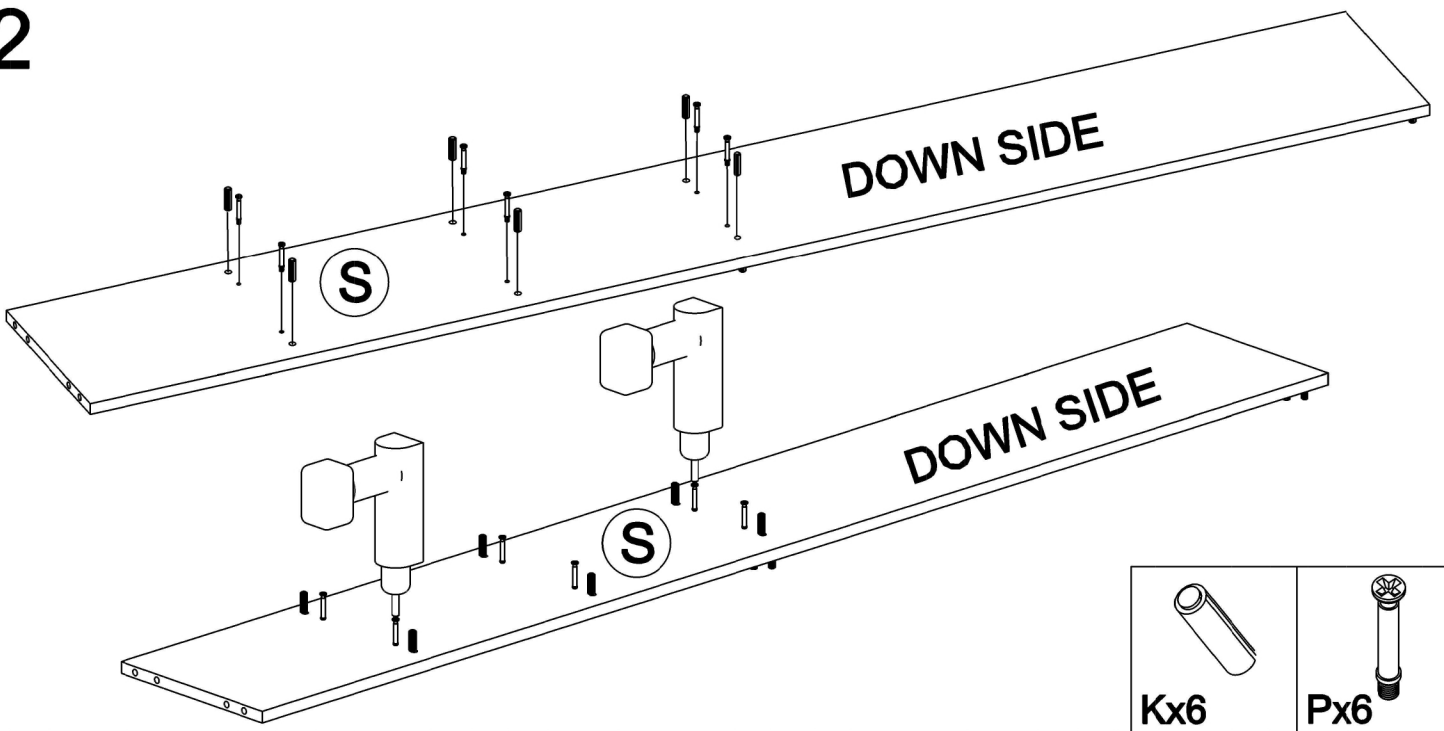


 TX26	 FX26	 PX26	 KX26	 MX4	
 PRX30	 AX2	 ABX2	 ACX2	 VX30	 GX4

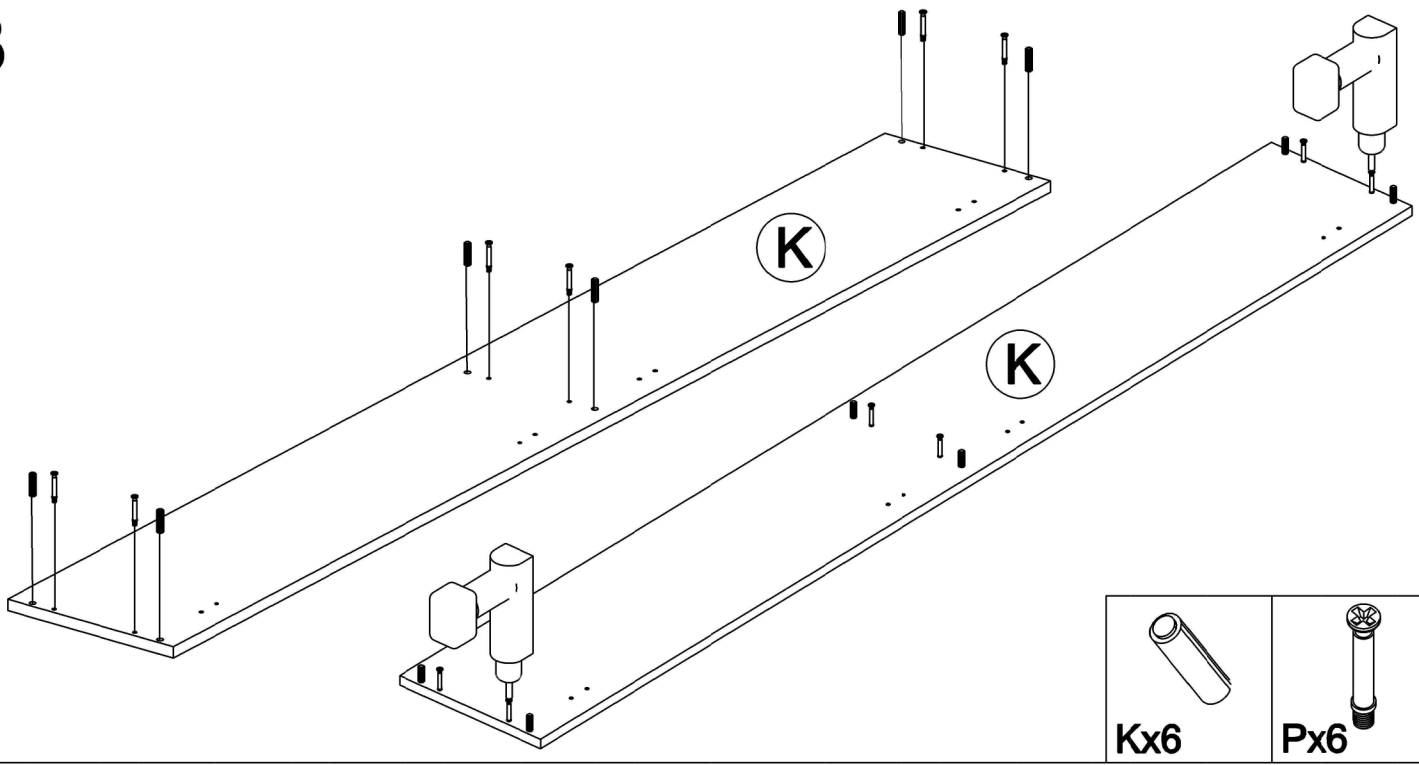
1



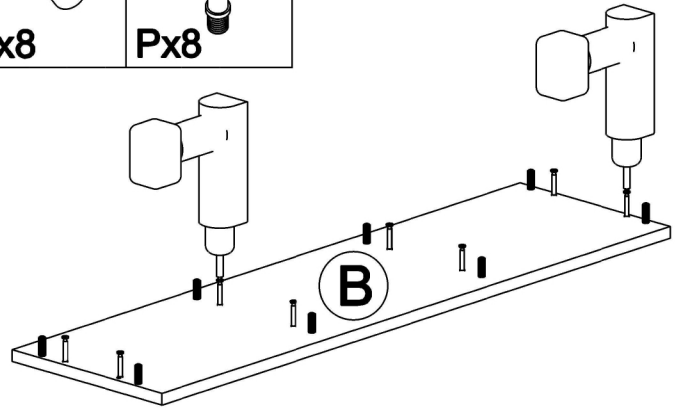
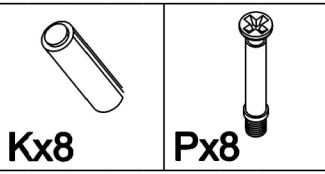
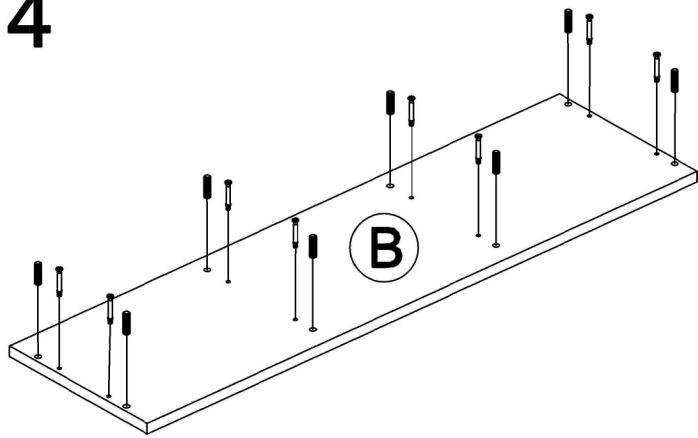
2



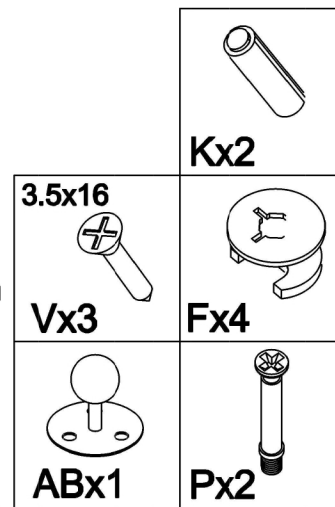
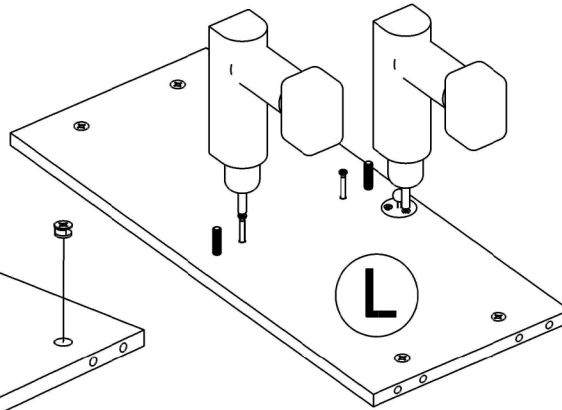
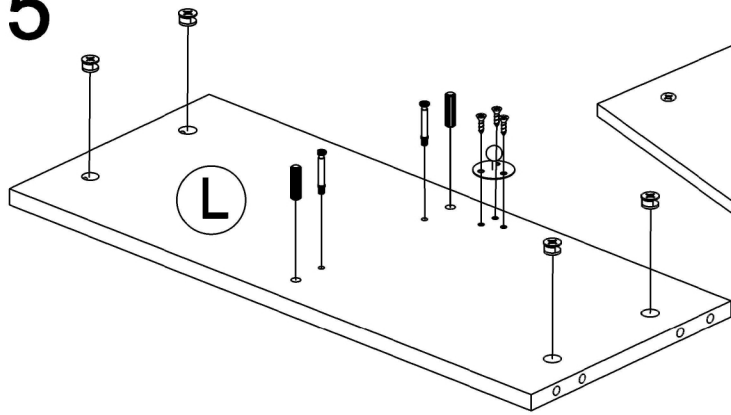
3



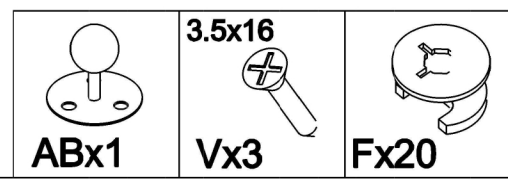
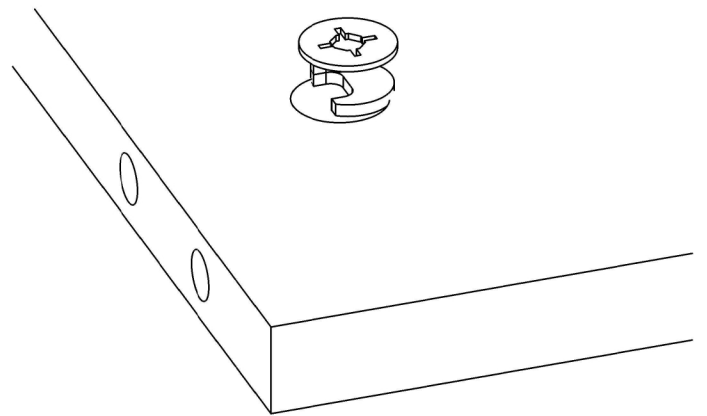
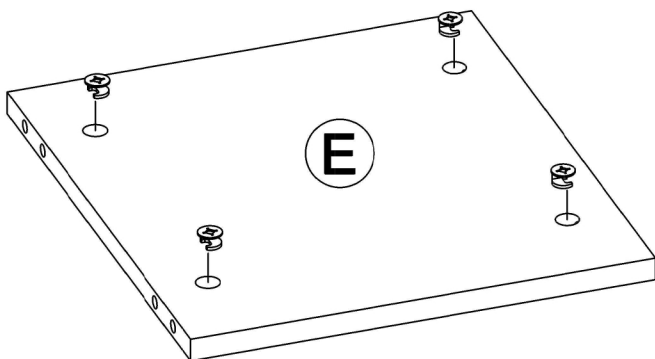
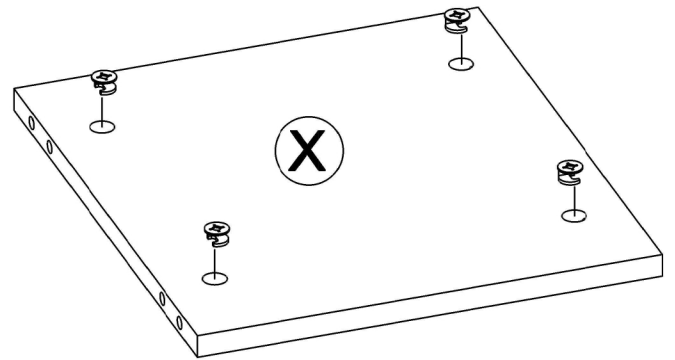
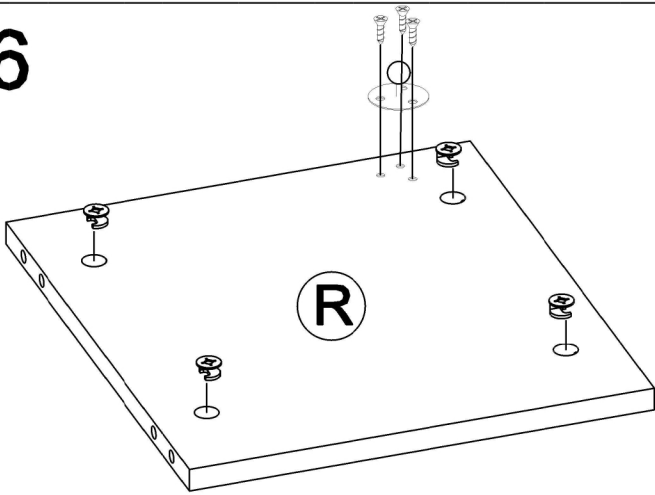
4



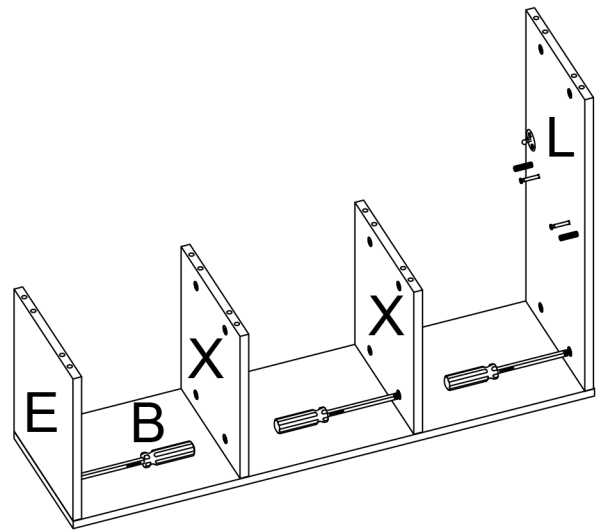
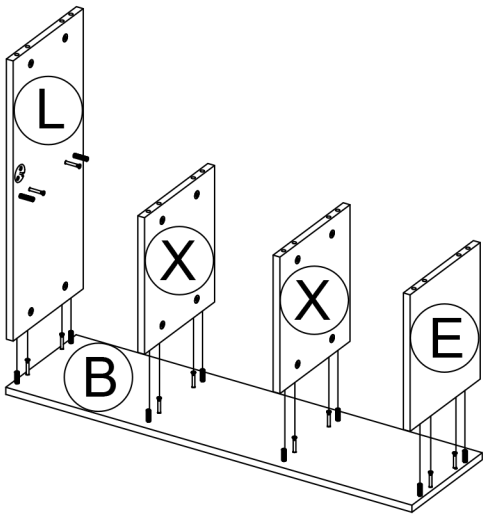
5



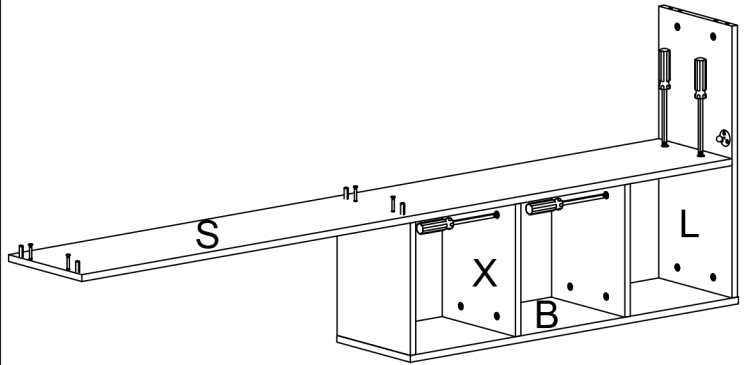
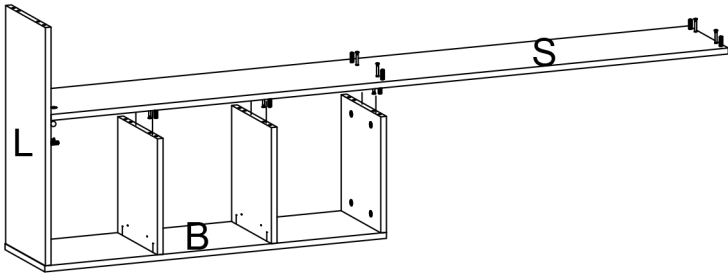
6



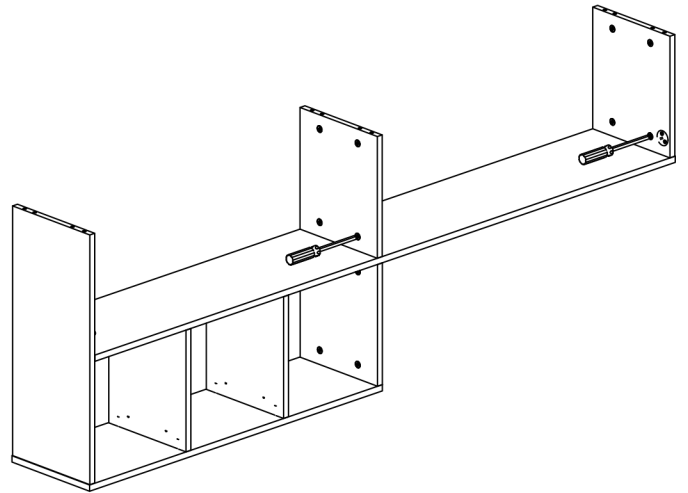
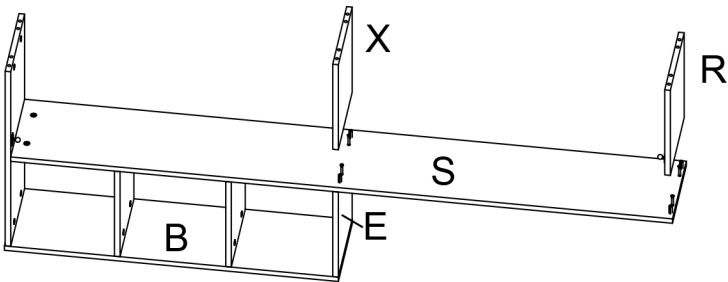
7



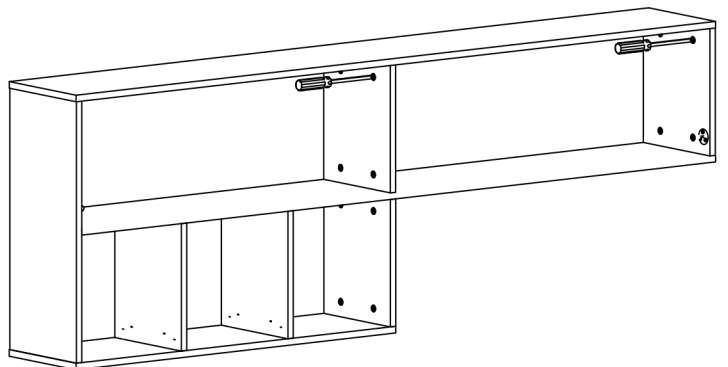
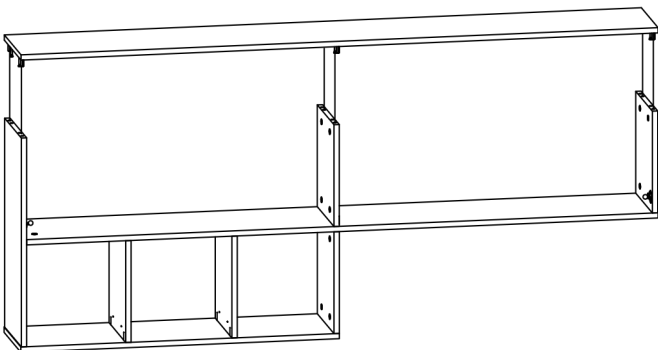
8



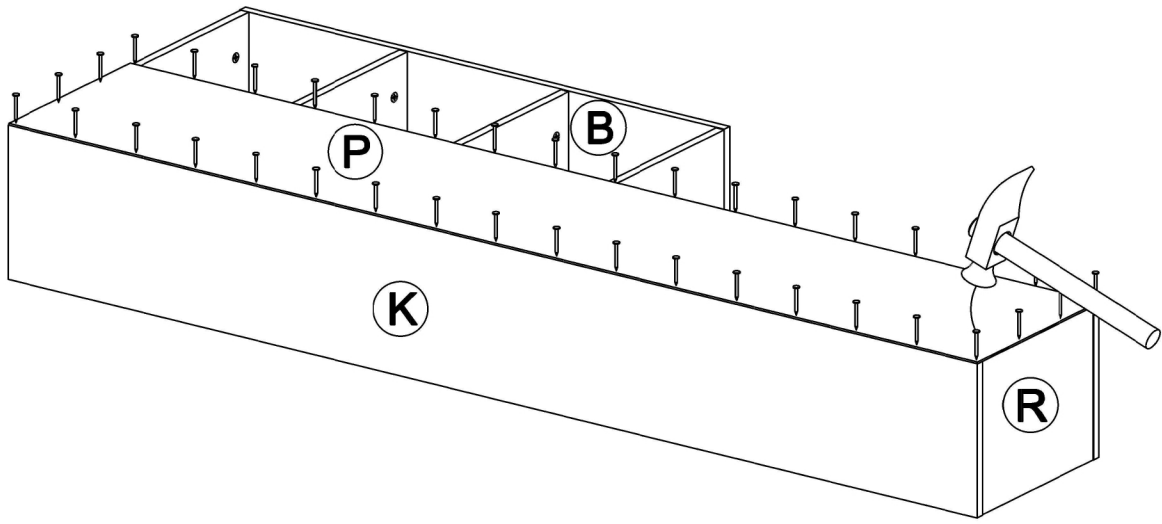
9



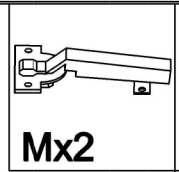
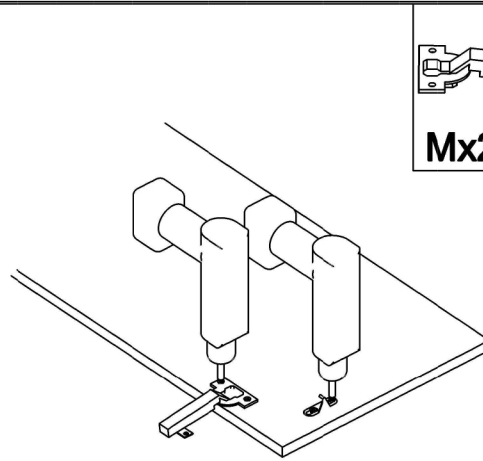
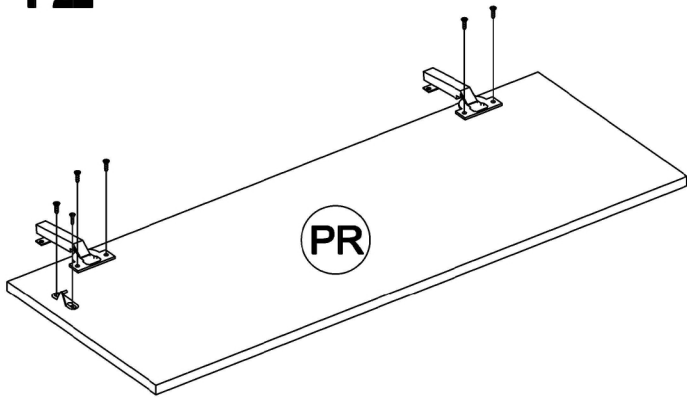
10



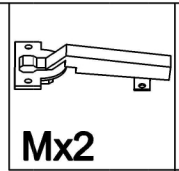
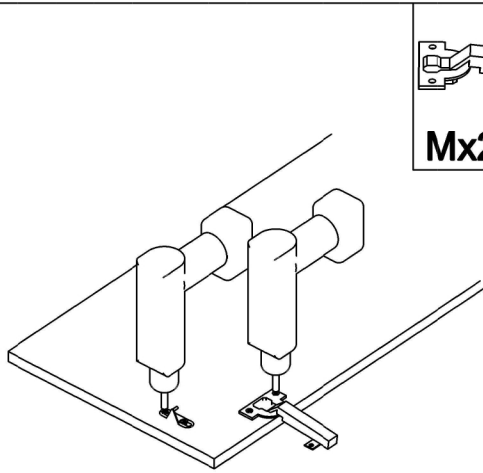
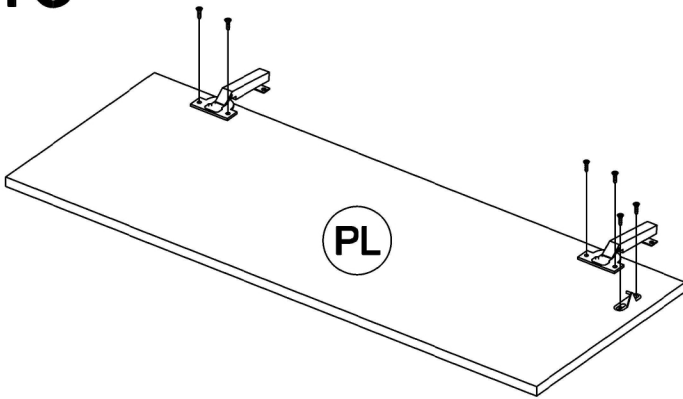
11



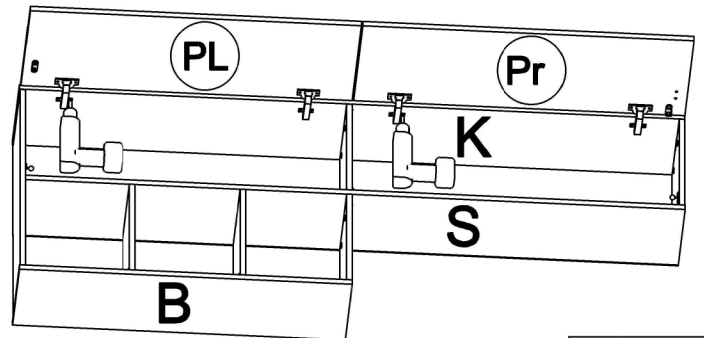
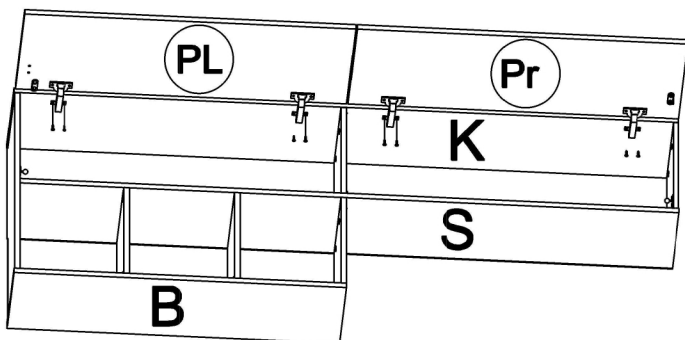
12



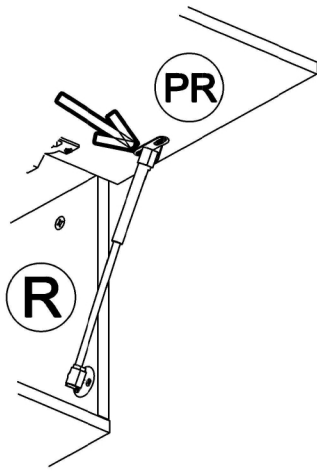
13



14

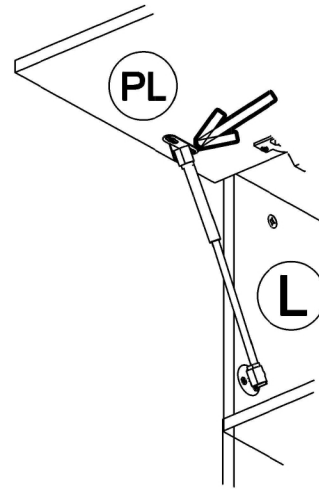


15



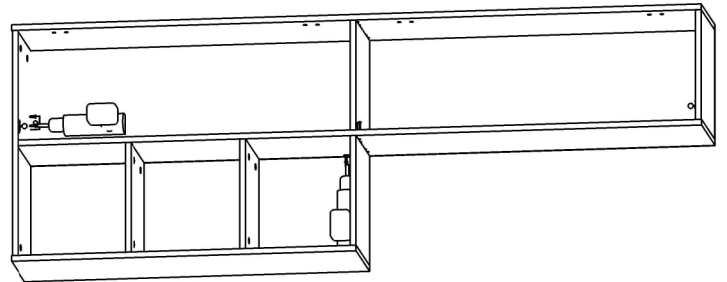
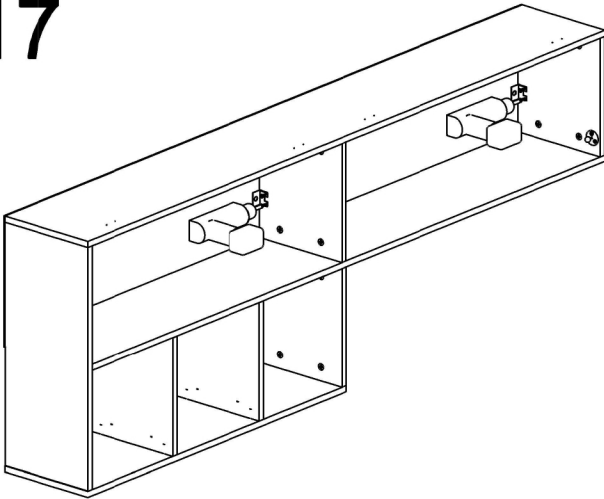
Ax1

16



Ax1

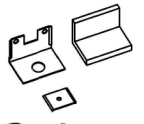
17



3.5x16

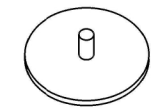
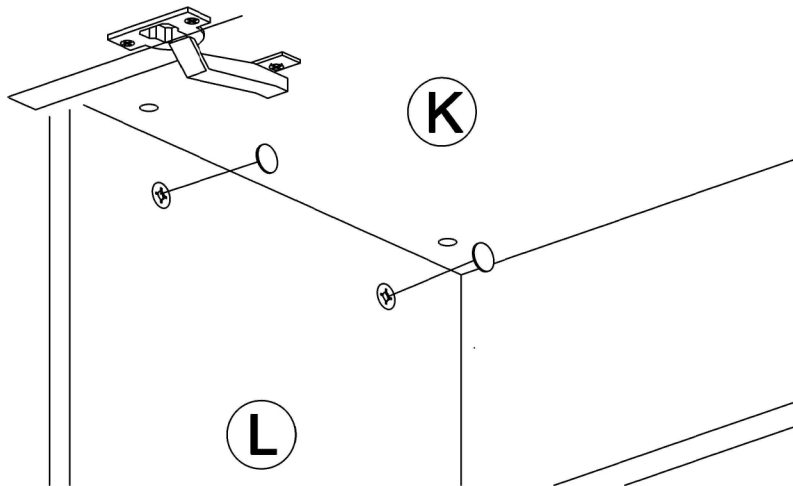


Vx8



Gx4

18



Tx26

cover all holes

