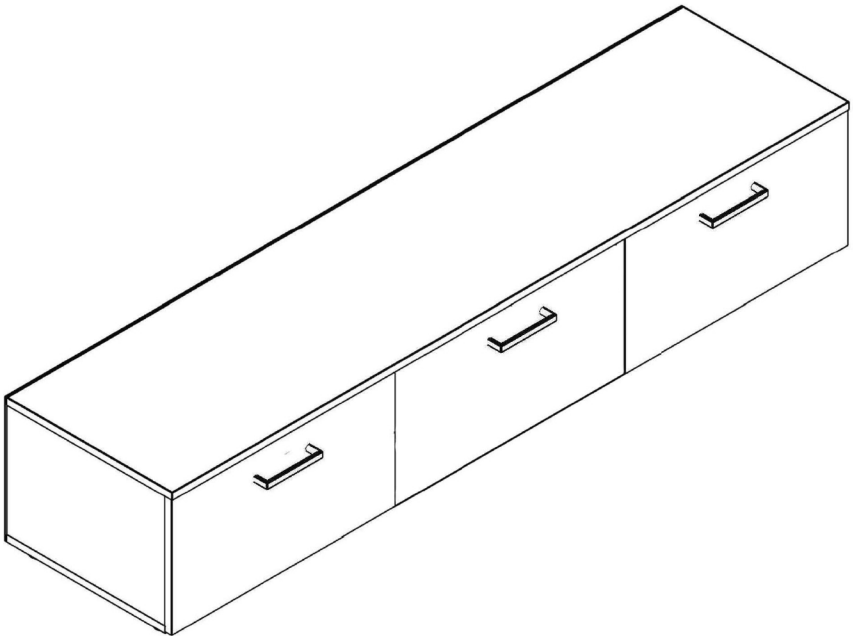
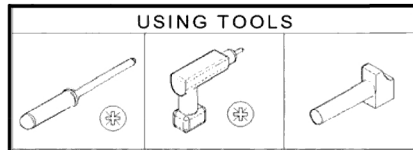
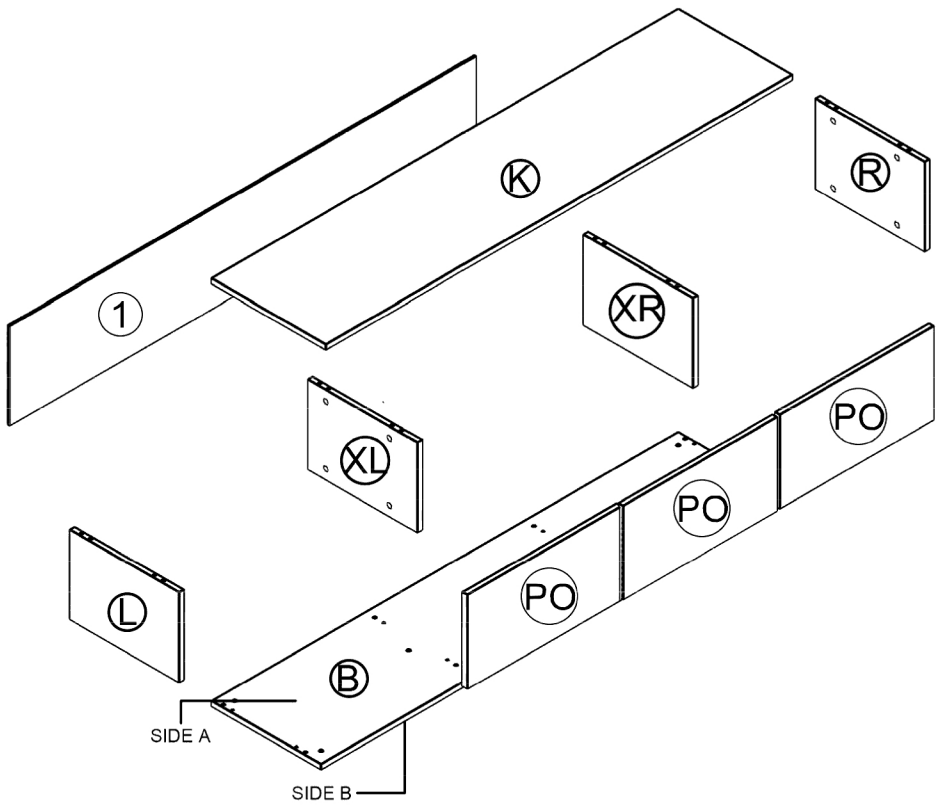


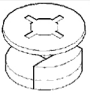




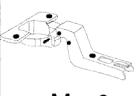
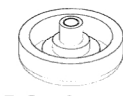

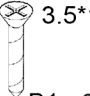
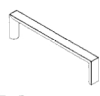


GRK45A

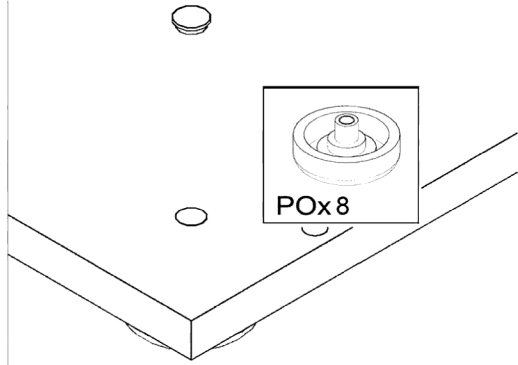
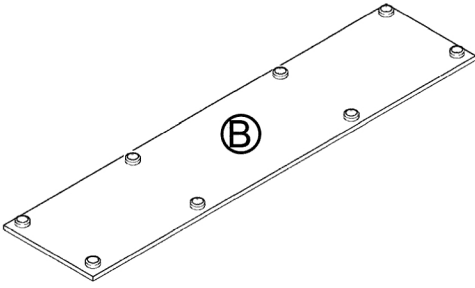




 P x 16	 K x 16	 F x 16	 S:3	 TP x 16	 4.0*35  B2 x 6
 M x 6	 PO x 8	 K2 x 30	 3.5*16 B1 x 35	 PO x 3	

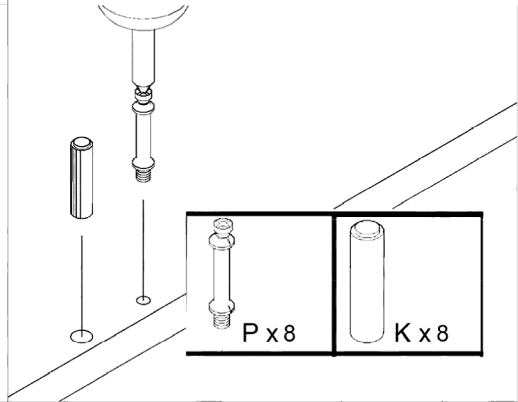
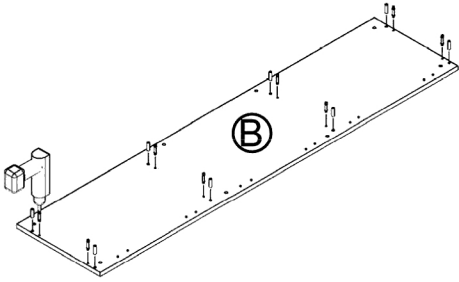
SIDE B

1

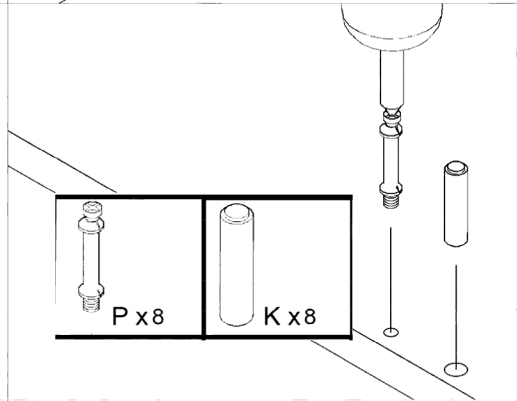
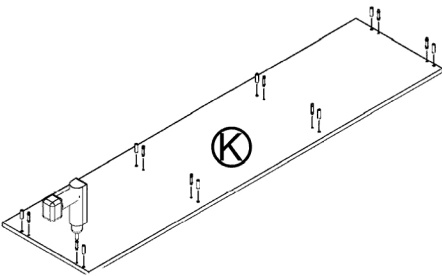


SIDE A

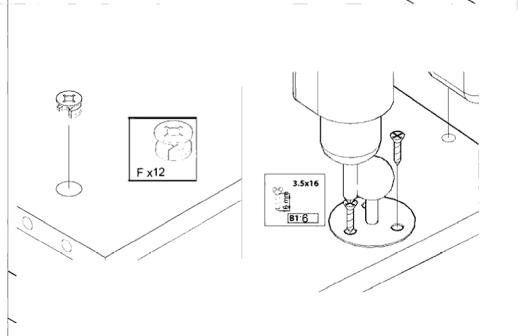
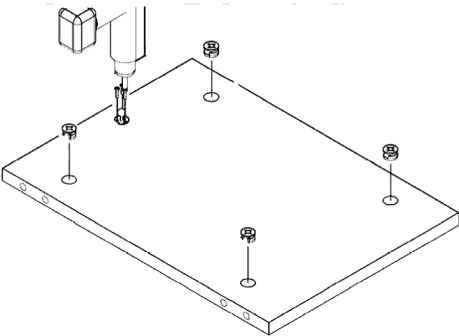
2



3

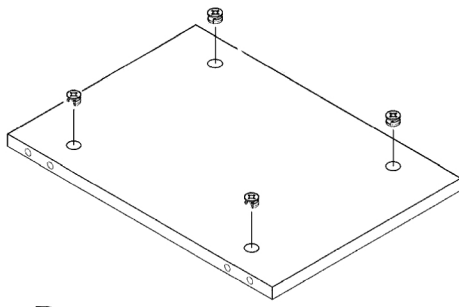


4

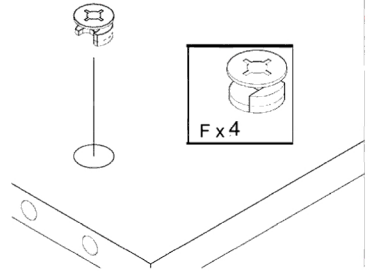


XL+XR+L

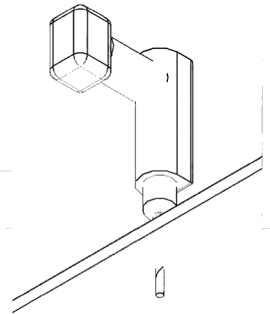
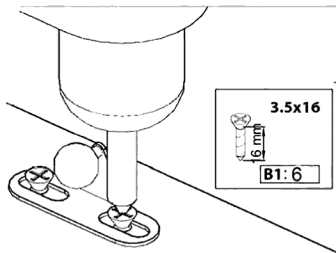
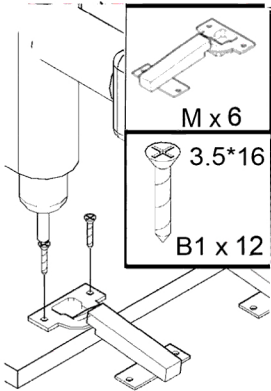
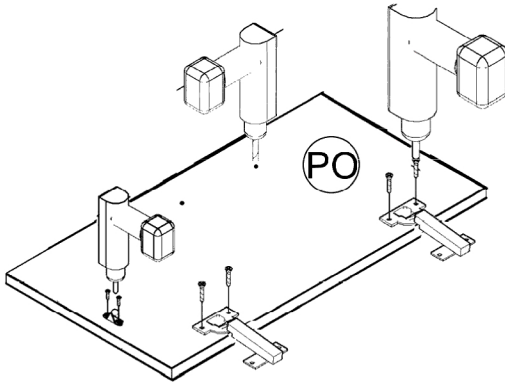
5



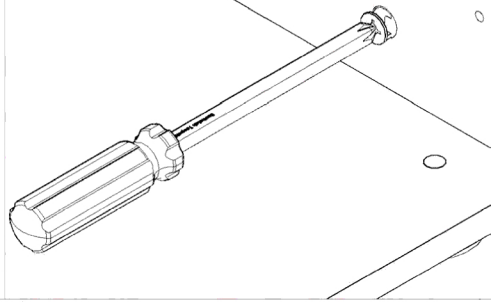
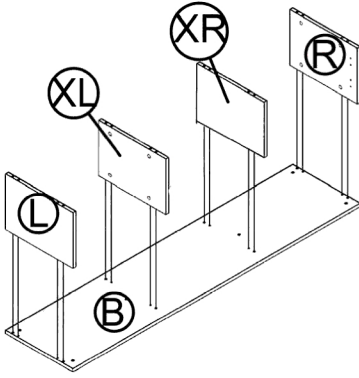
R



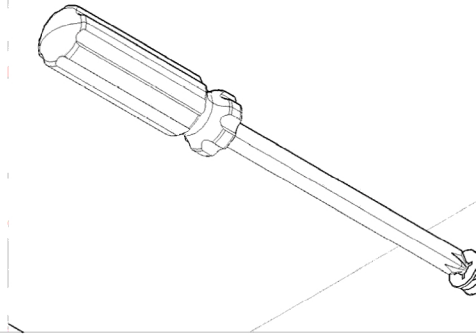
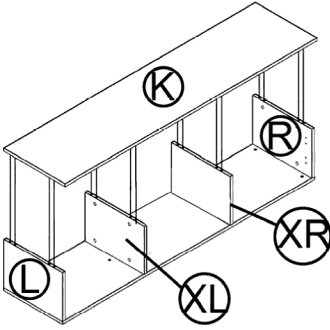
6



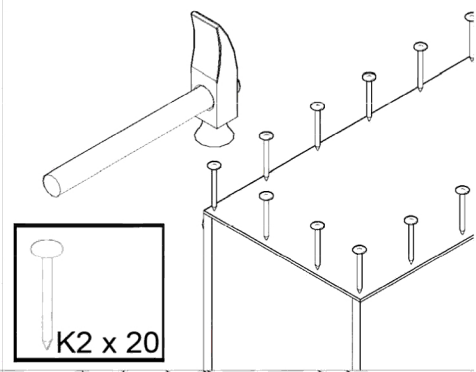
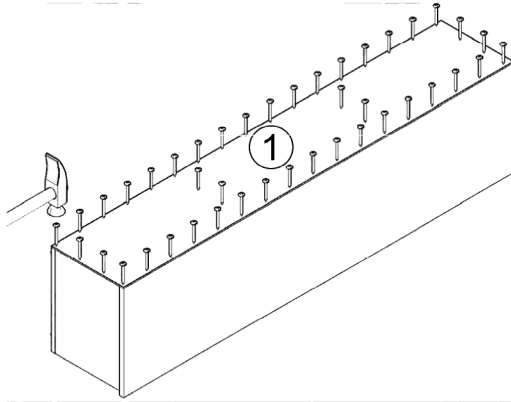
7



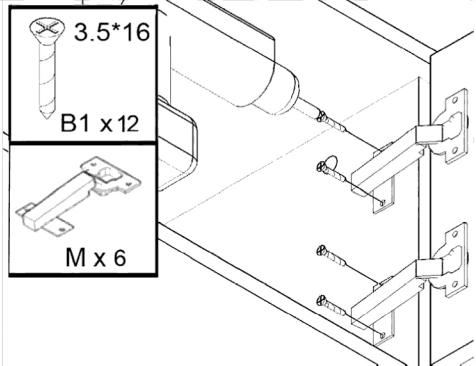
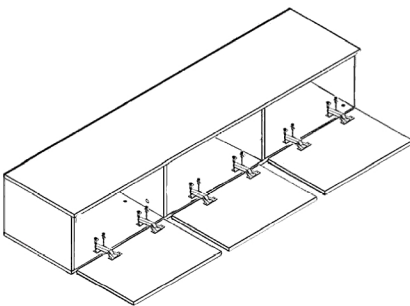
8



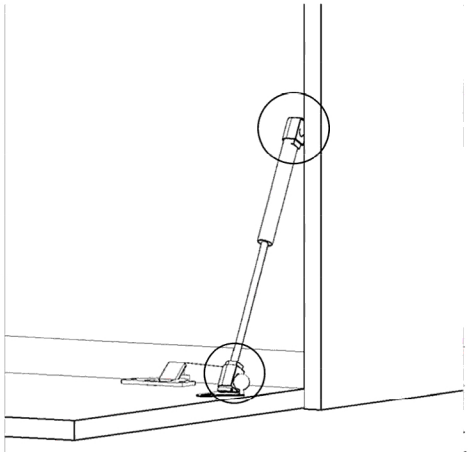
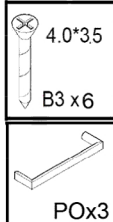
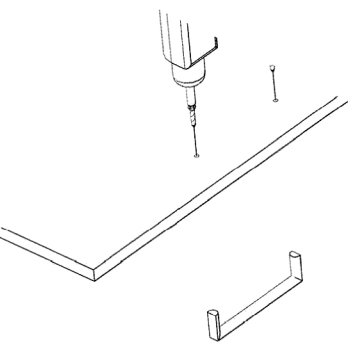
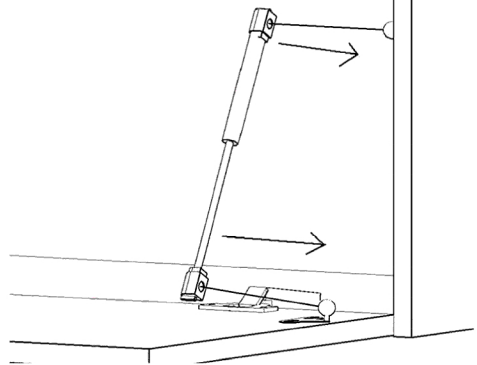
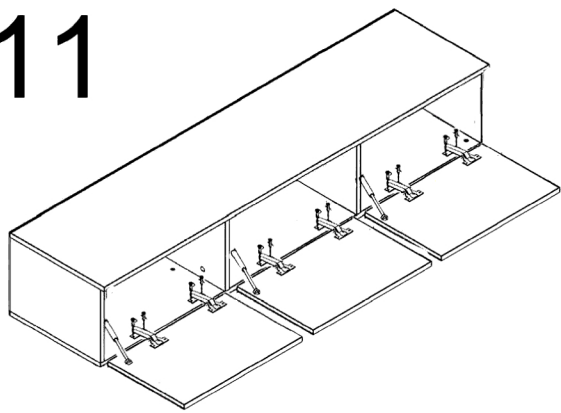
9



10

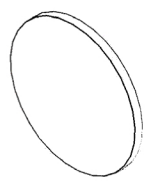
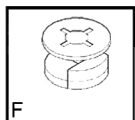
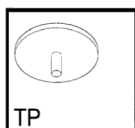
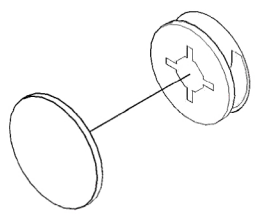
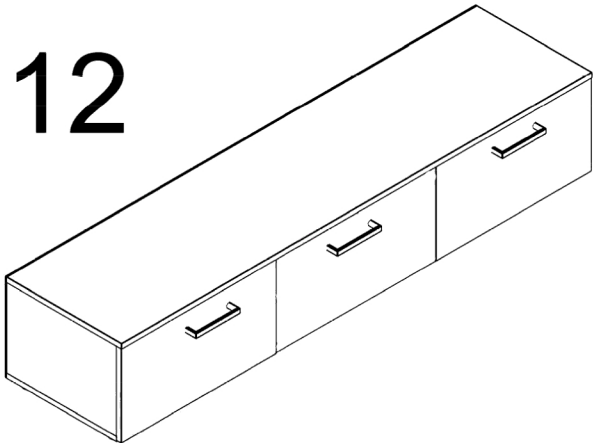


11

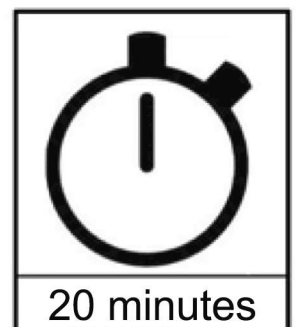
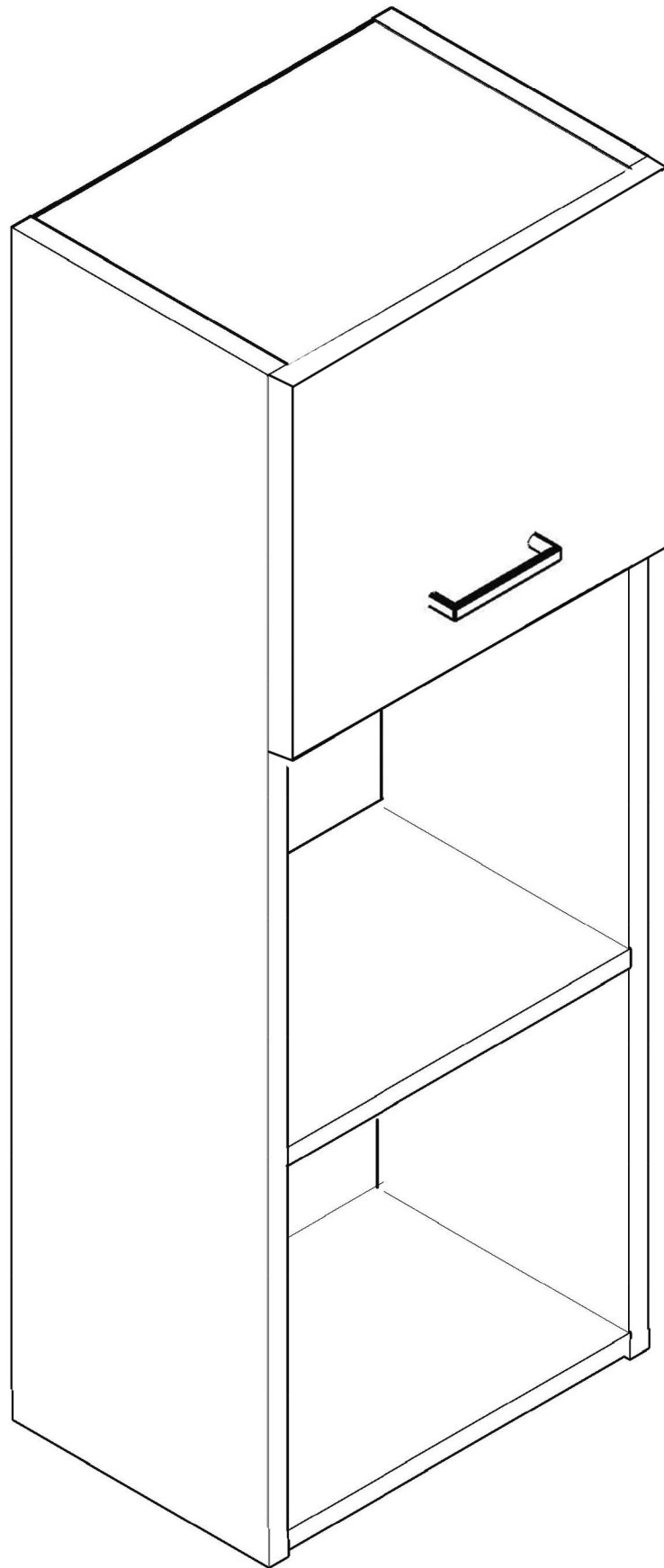


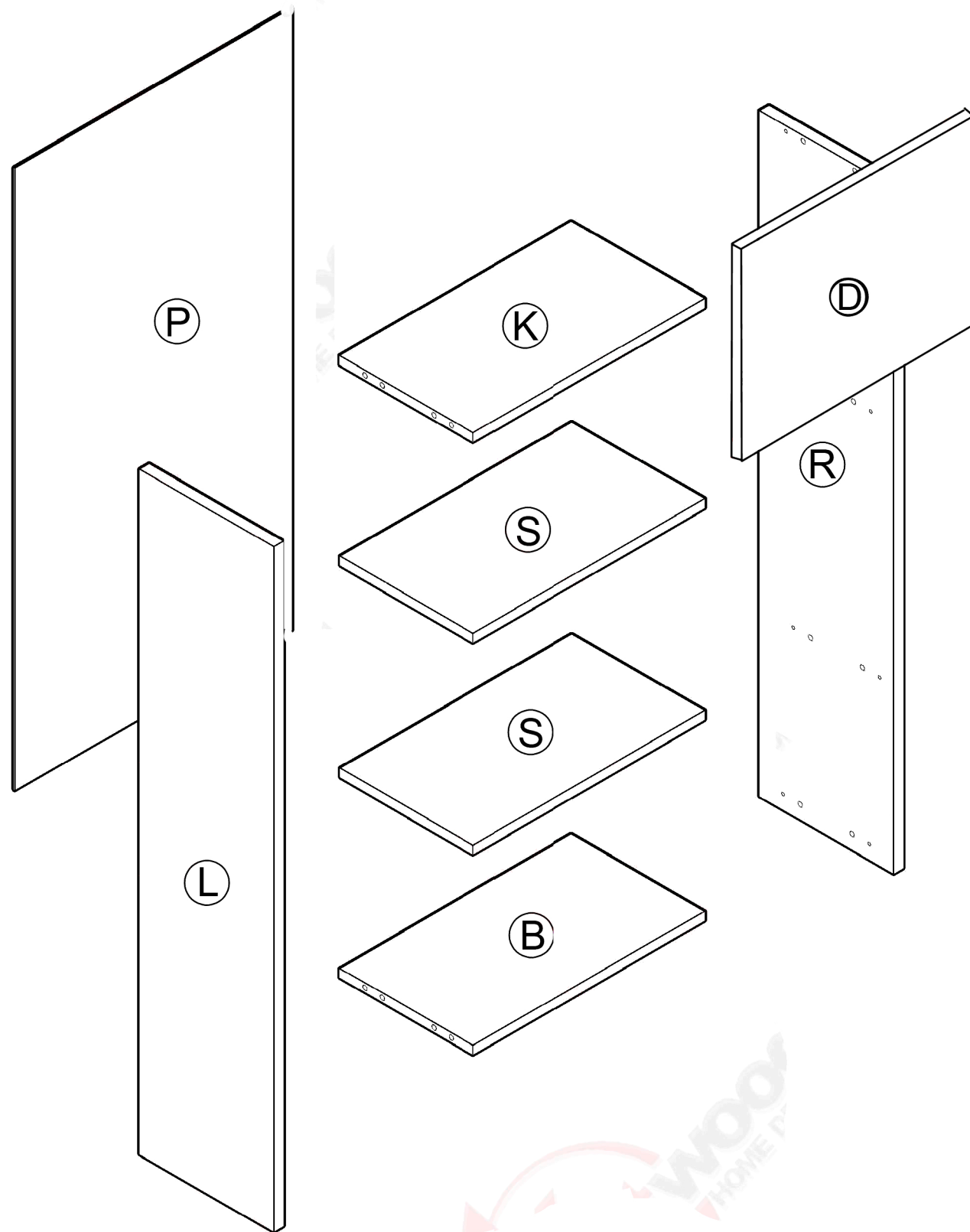
PLASTIC COVER CAPS FOR SCREWS

12

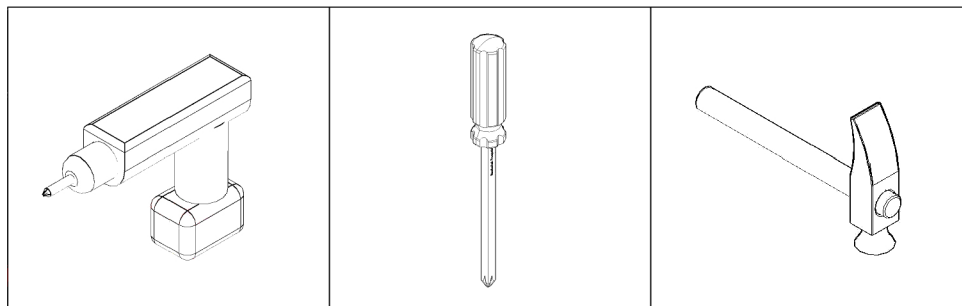




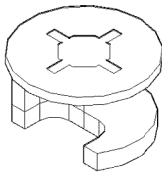

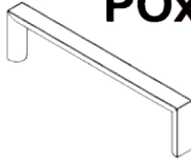
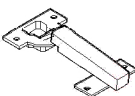
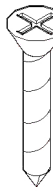

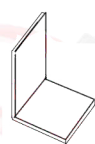
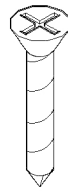
GRK45B



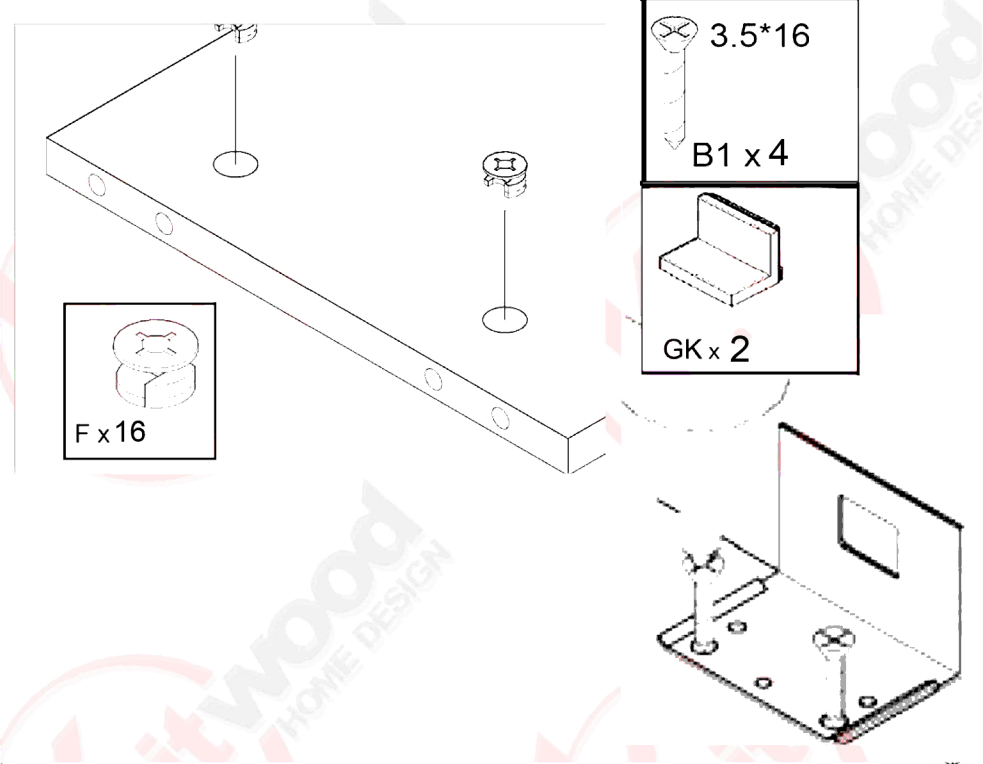
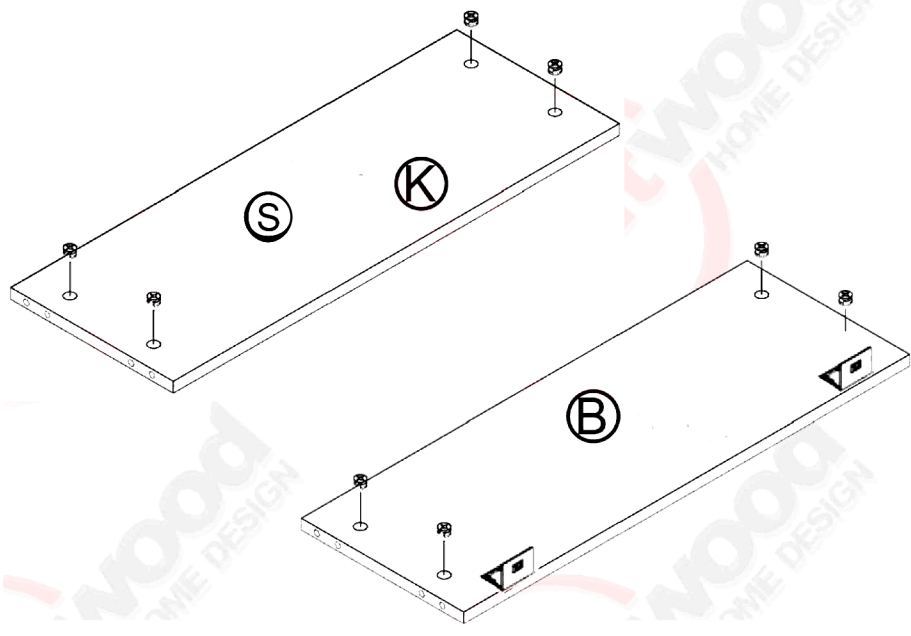


USING TOOLS

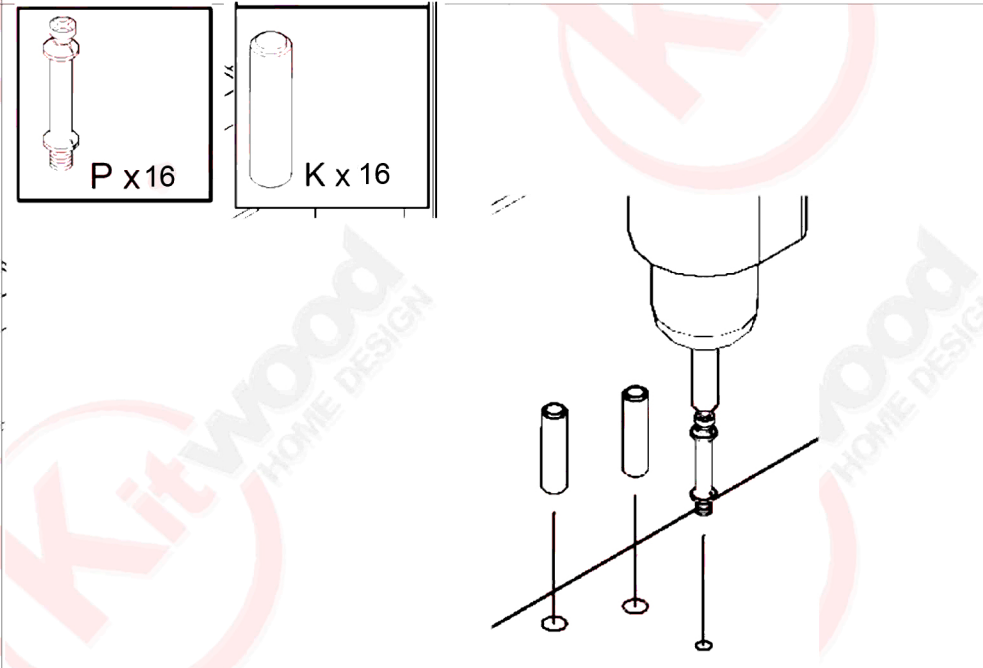
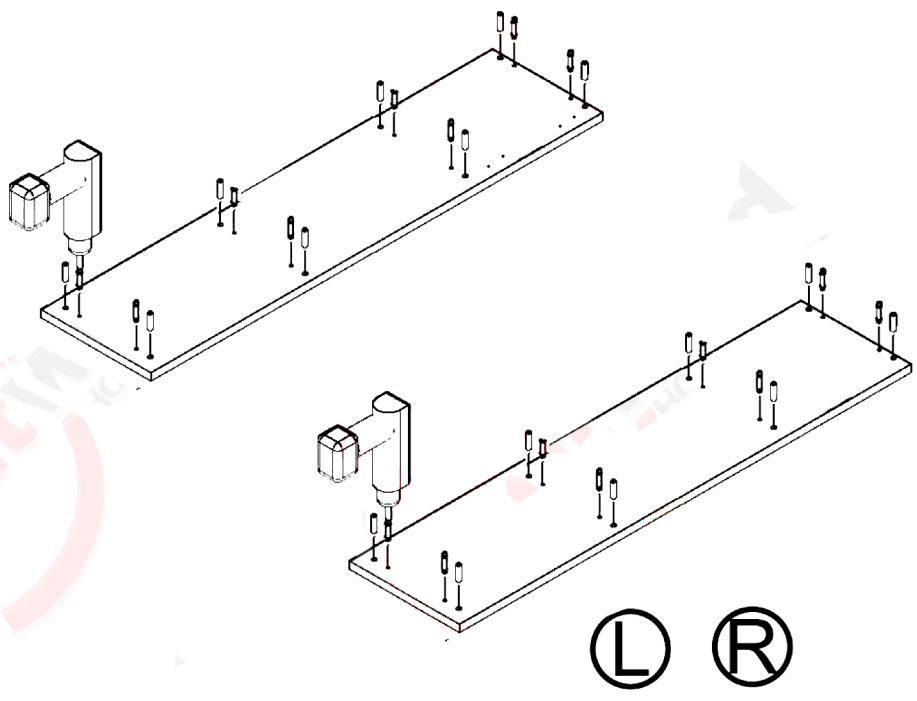


 Px16	 Kx16	 Fx16	 Nx20	 POx1
 Mx2	 3.5x16 B1x12	 TPx16	 Gx2	 4.0x3.5 B2x2

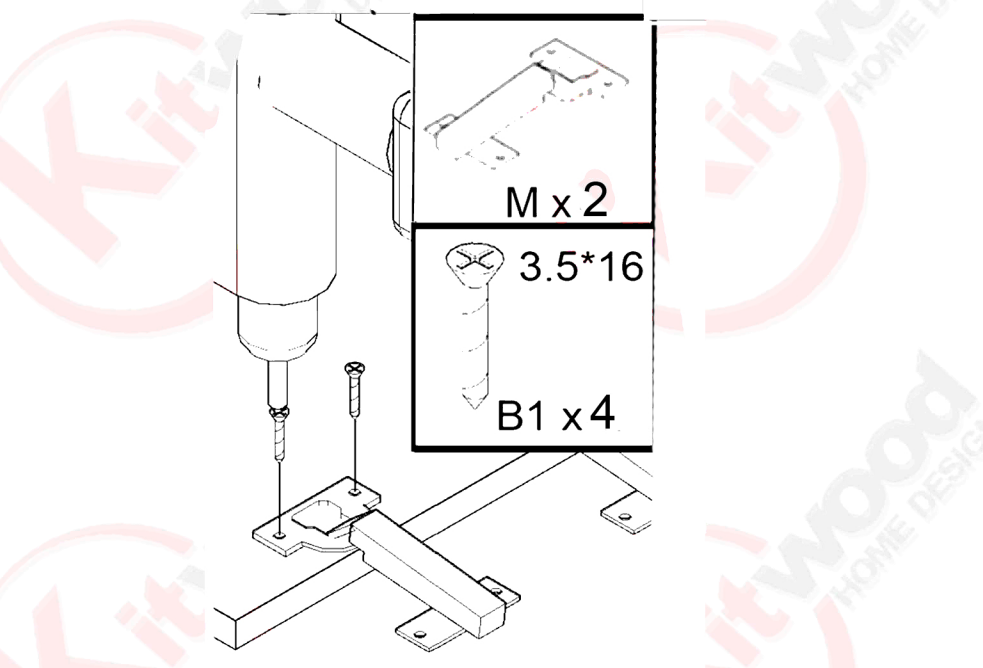
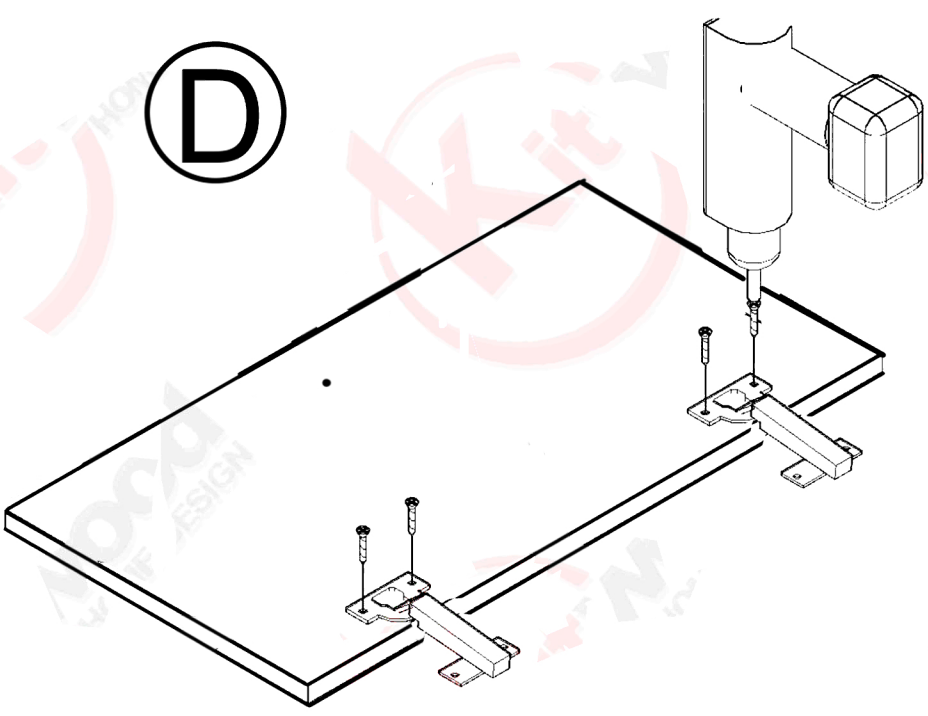
1



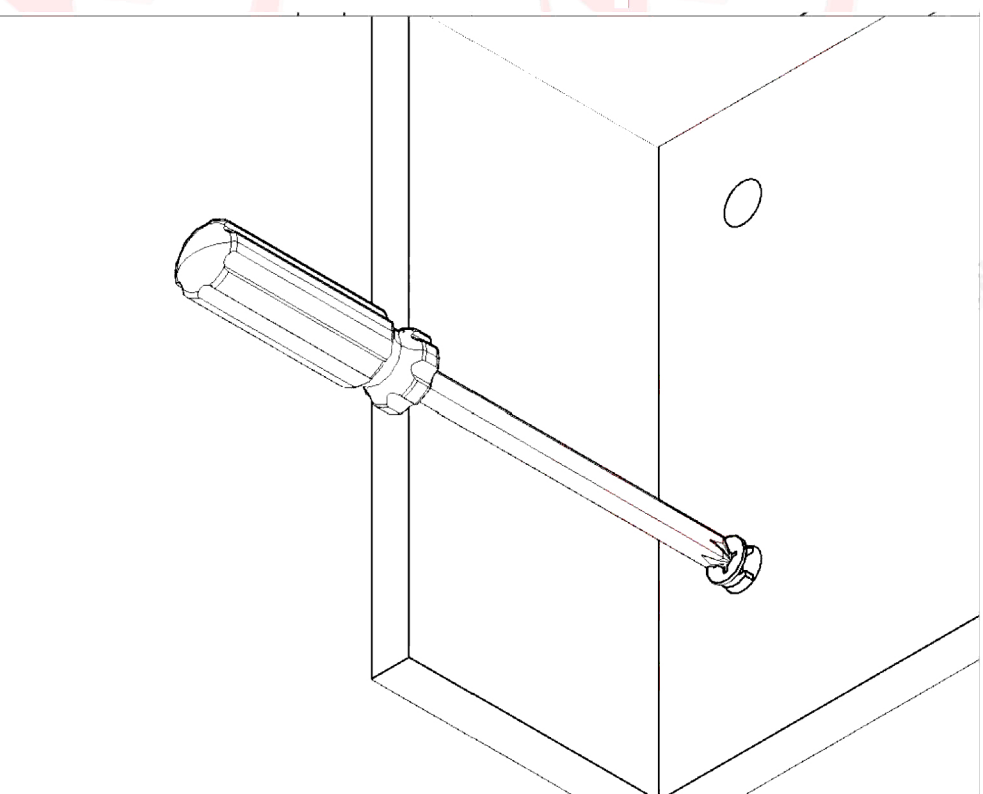
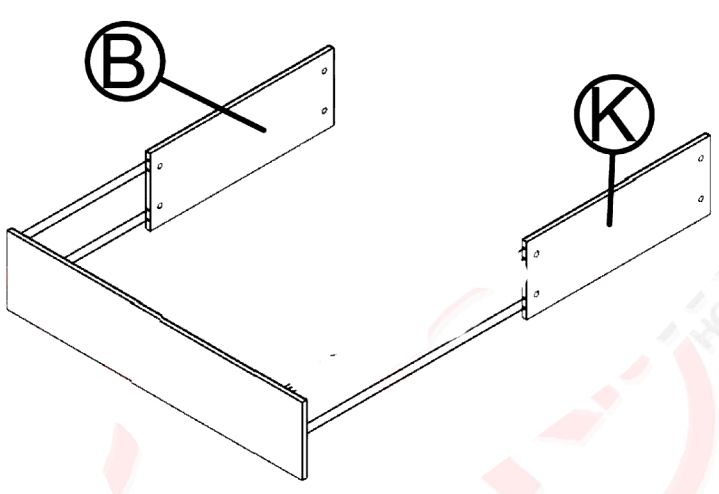
2

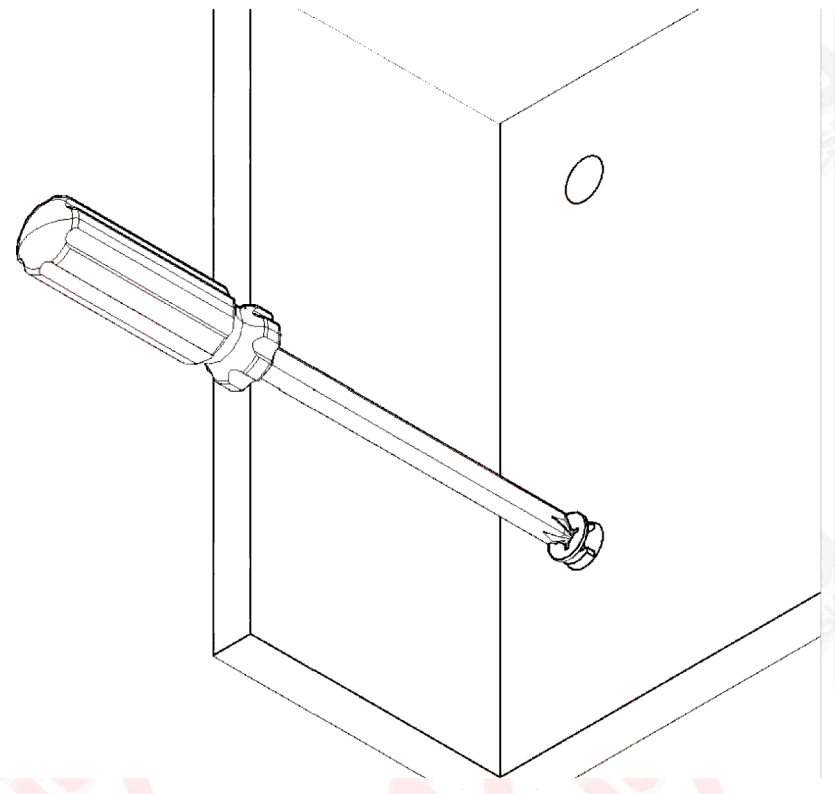
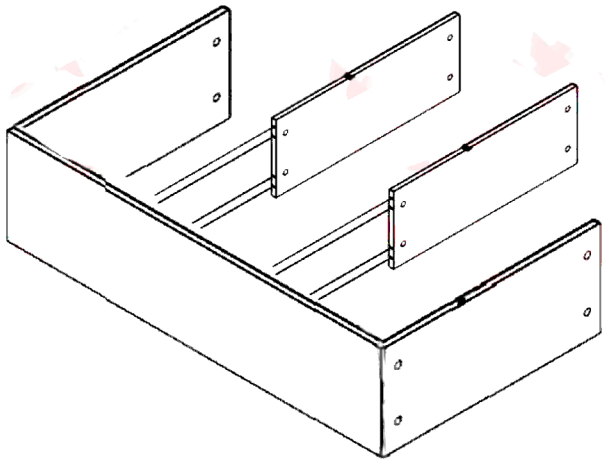


3

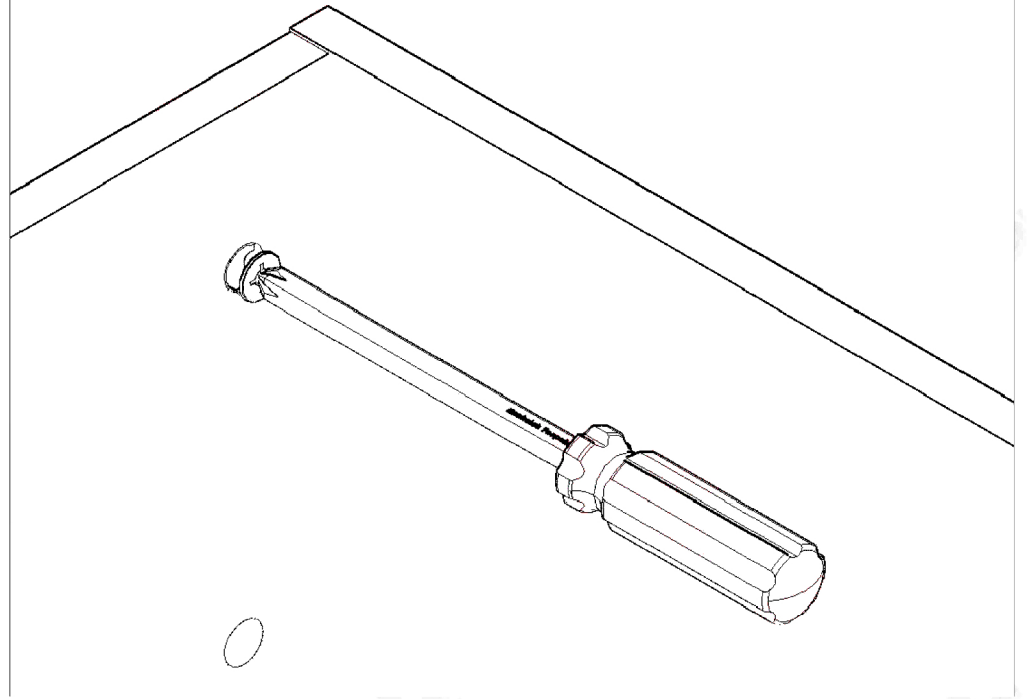
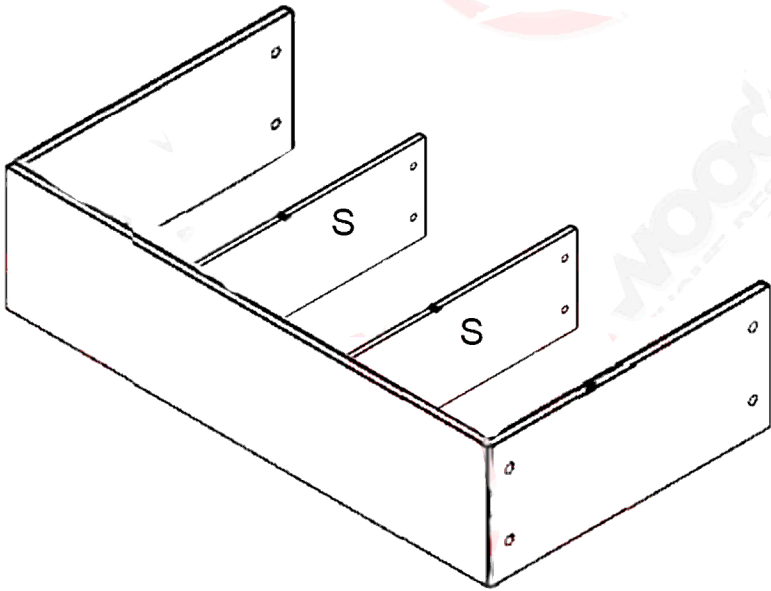


4

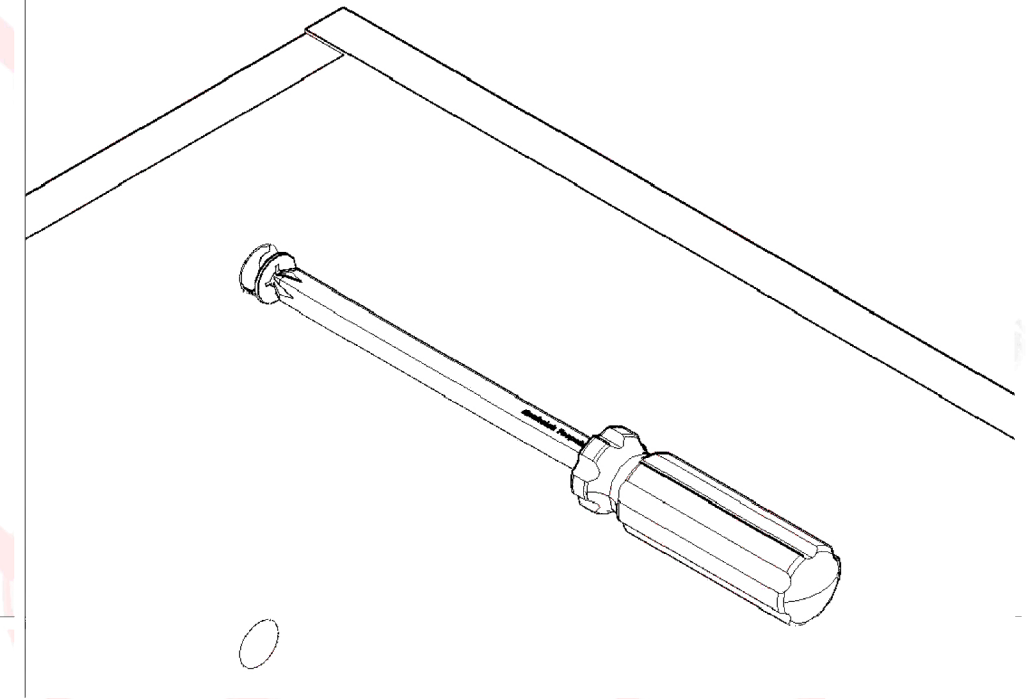
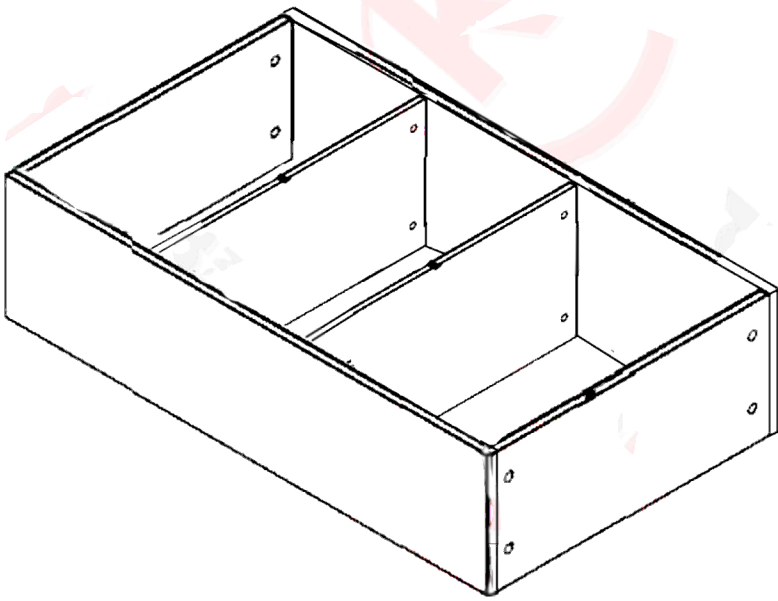




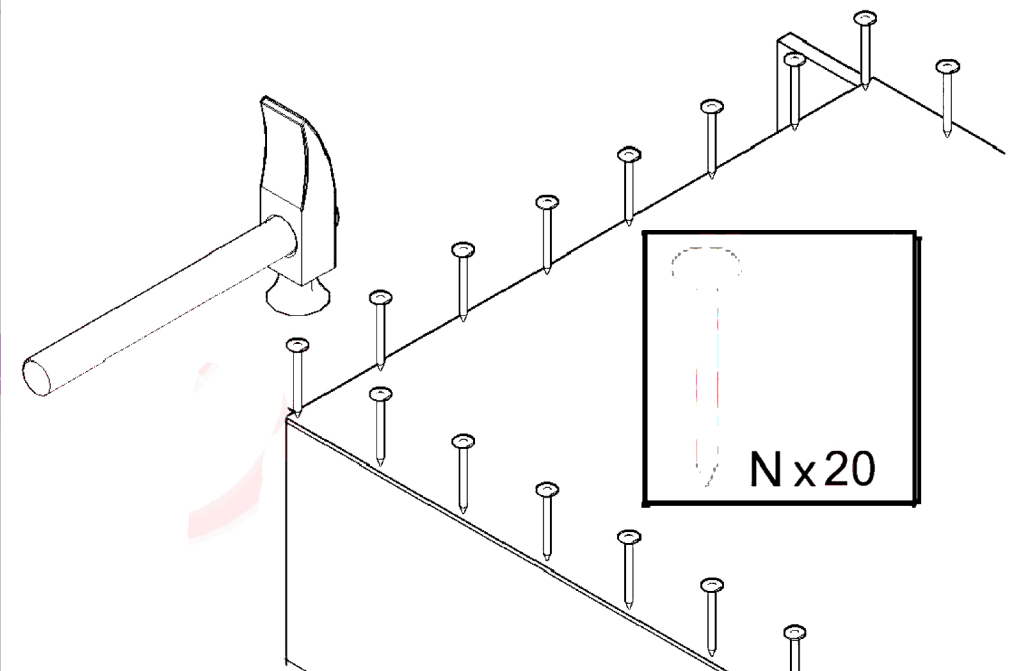
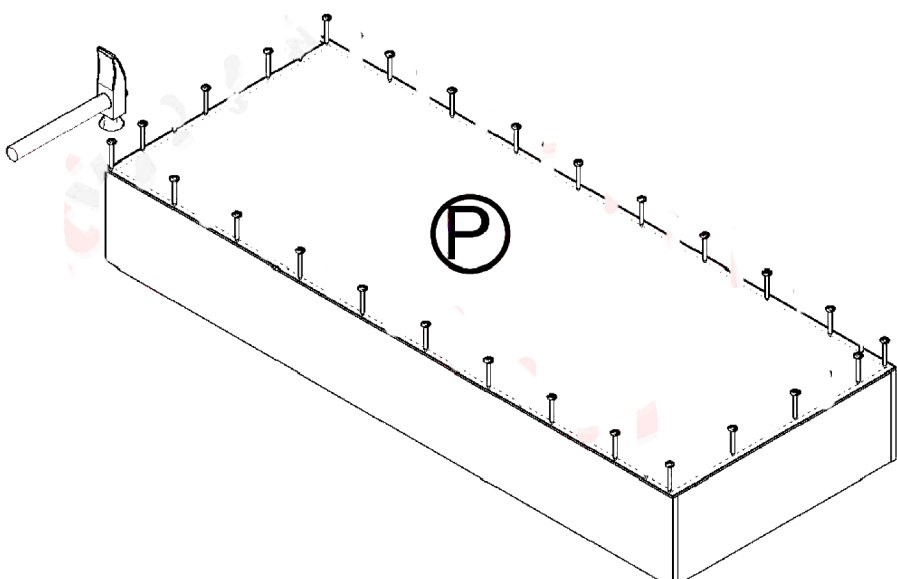
5

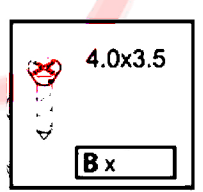
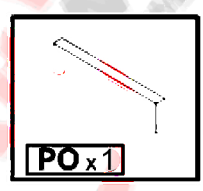
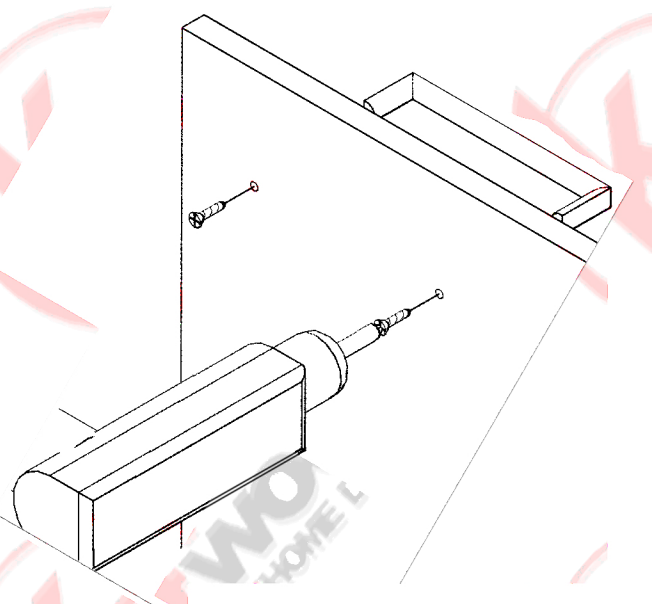
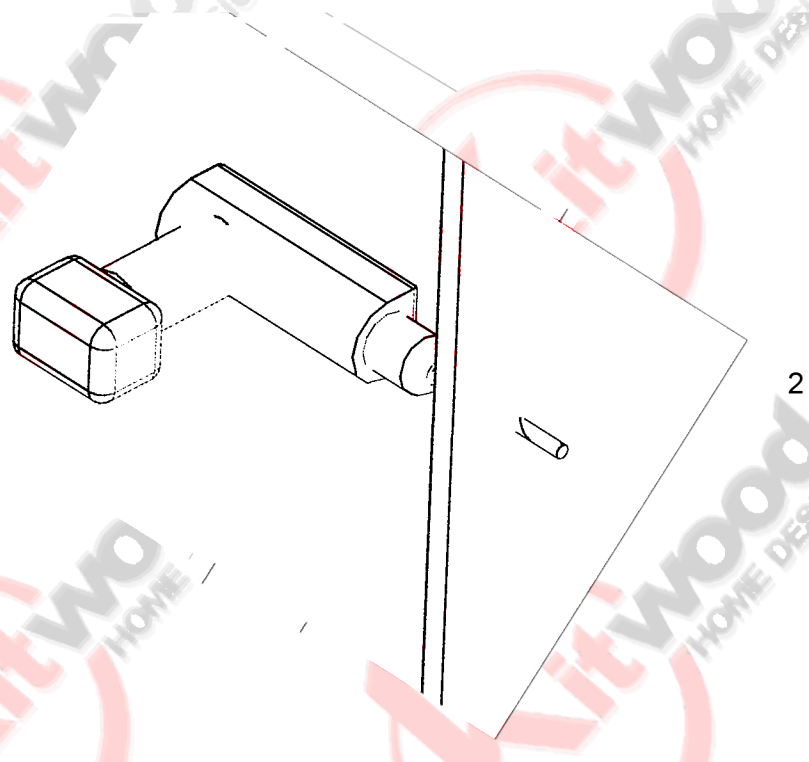
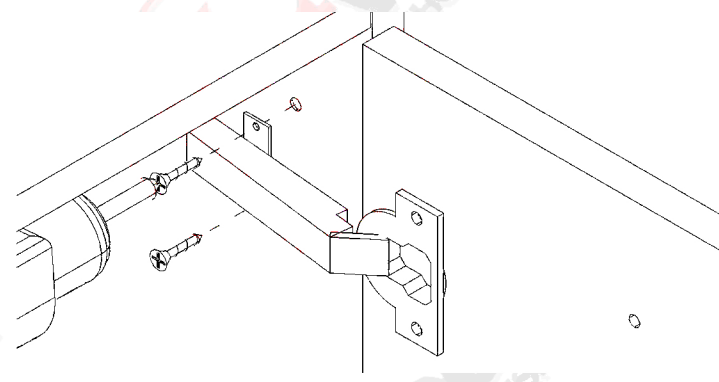
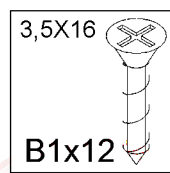
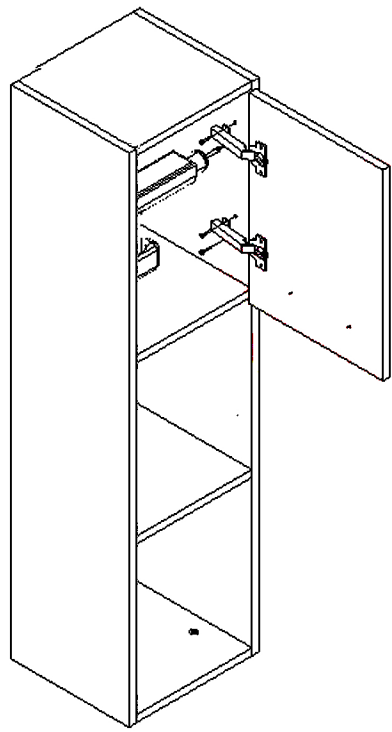


6

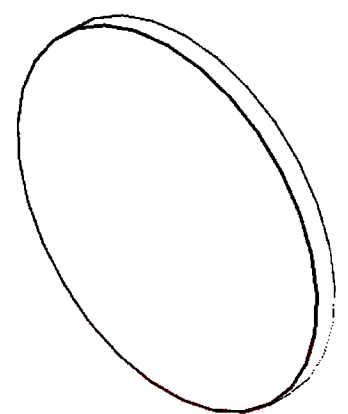
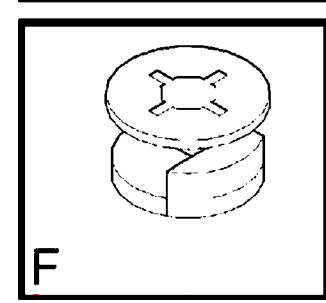
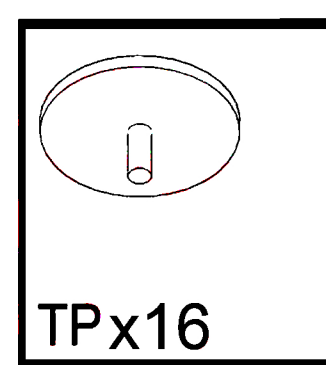
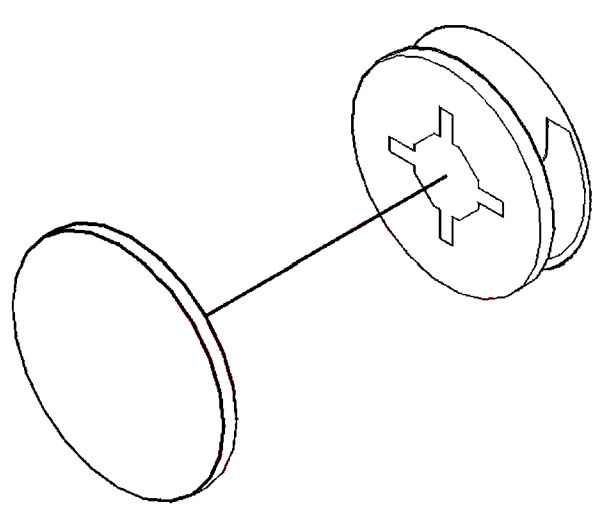


7

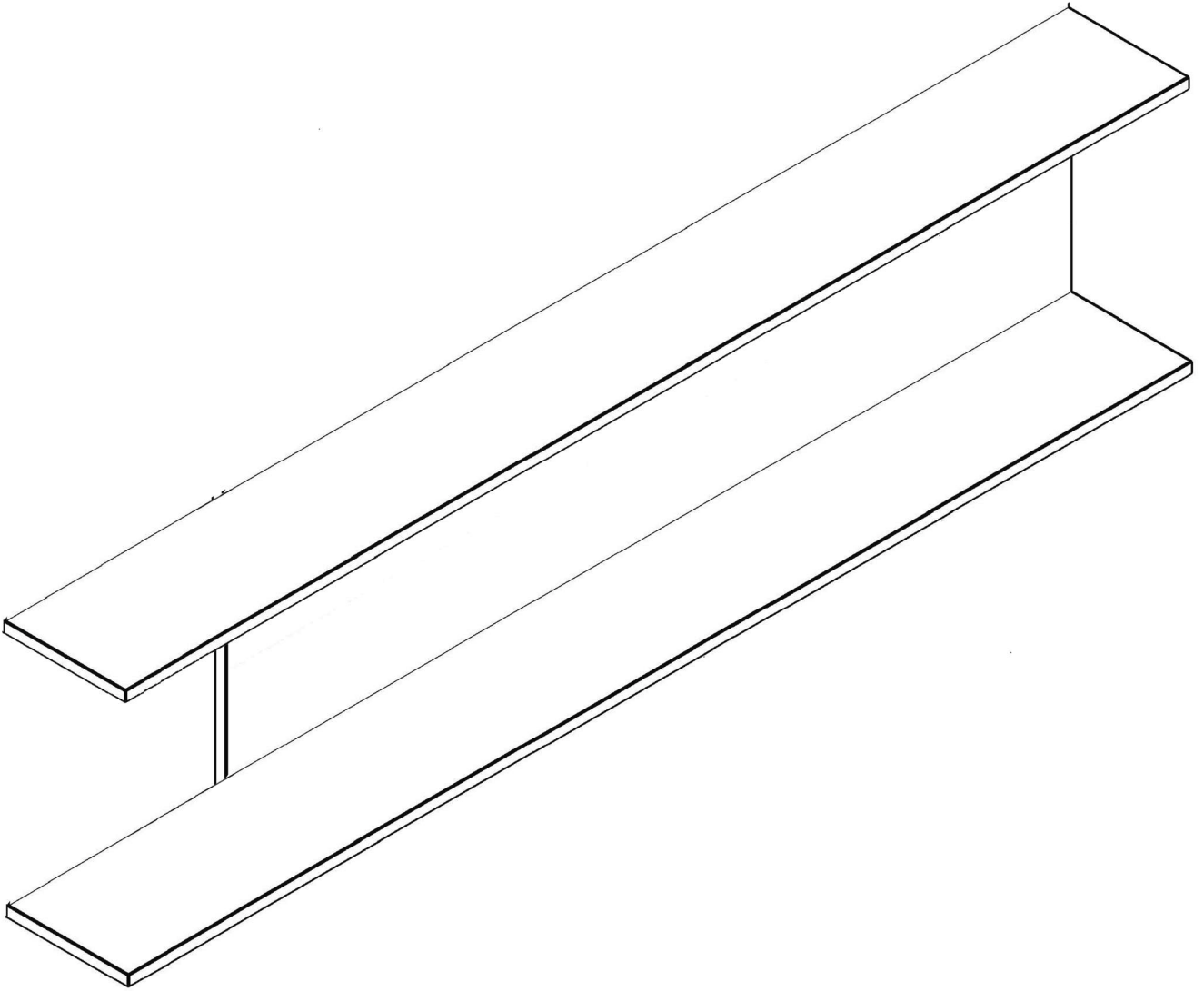


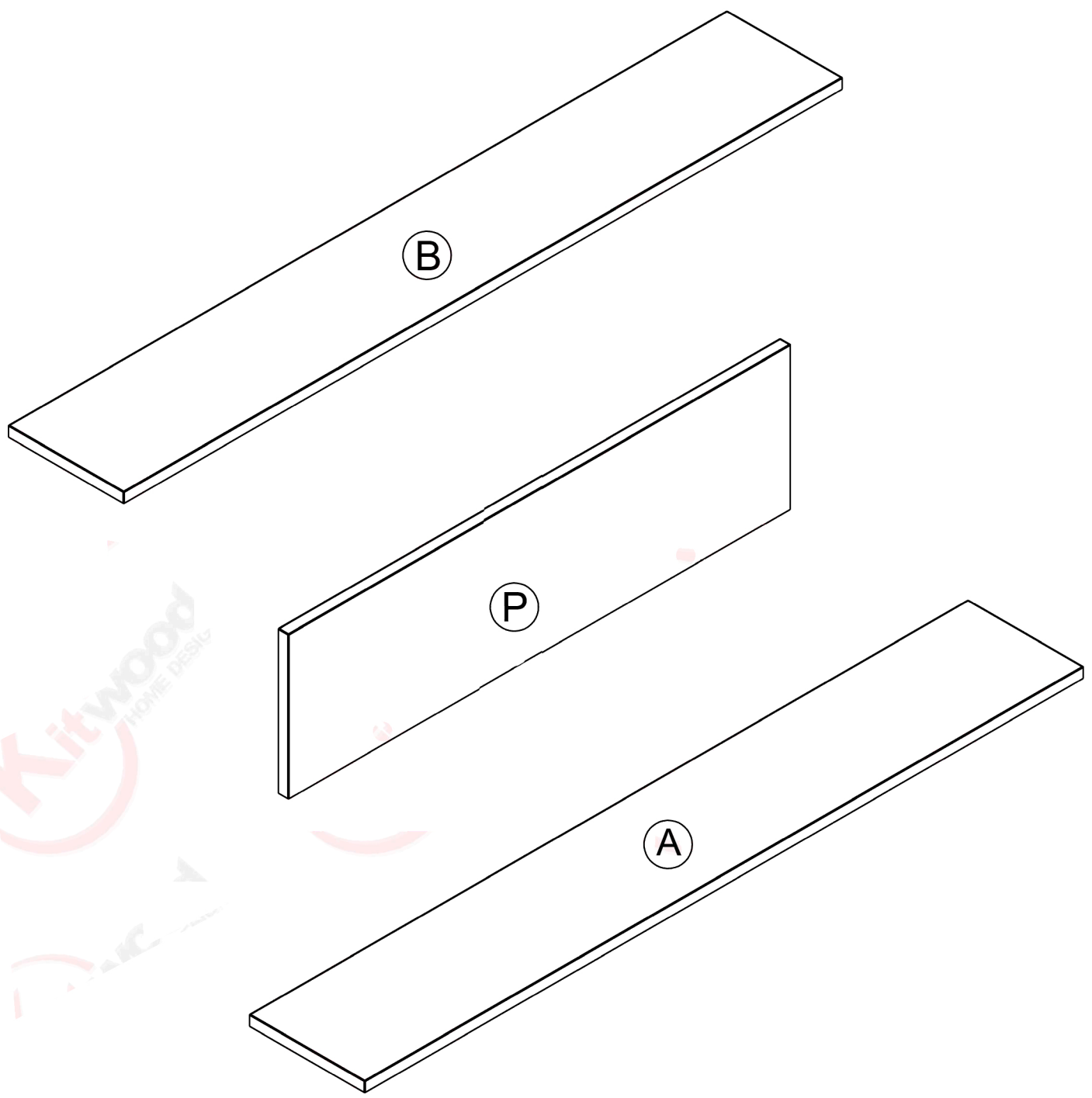


PLASTIC COVER CAPS FOR SCREWS

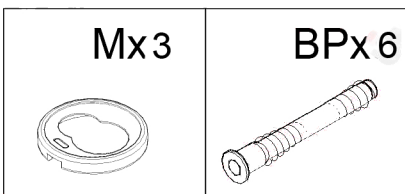
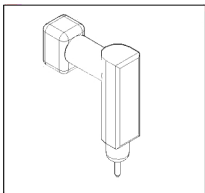


GRK45C

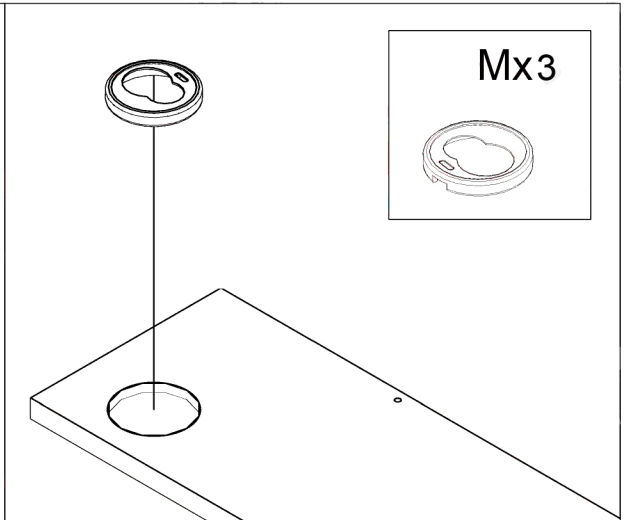
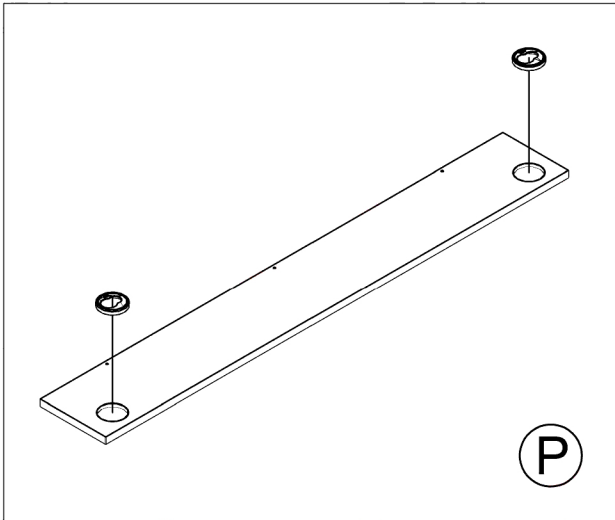




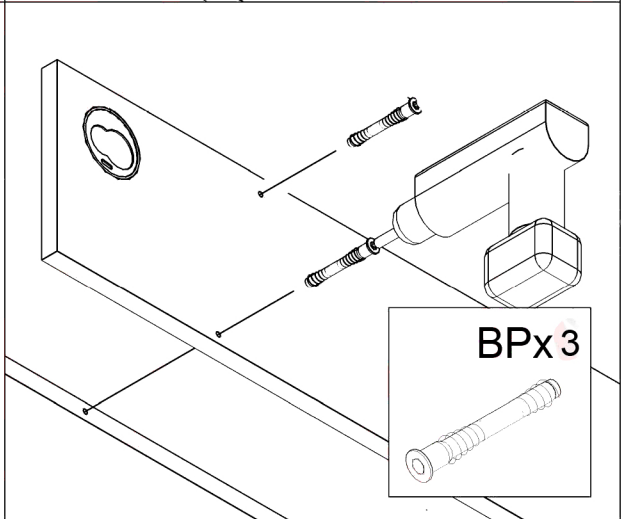
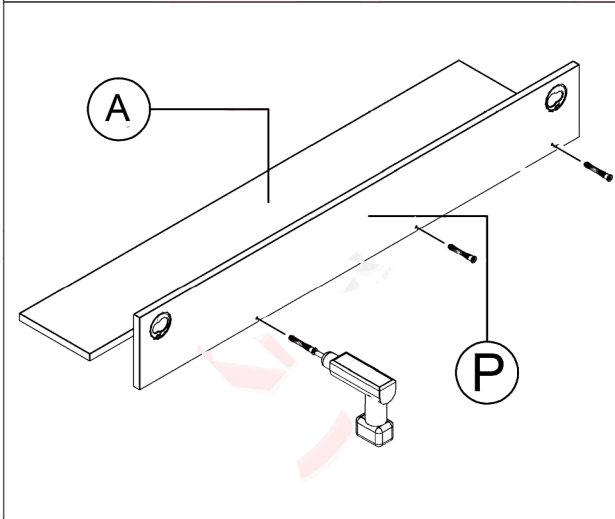
USING TOOLS



1



2



3

