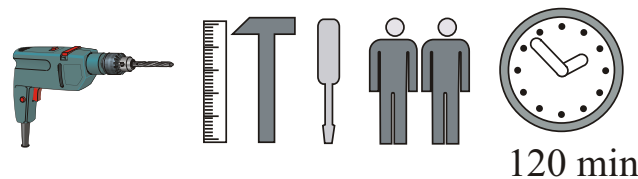
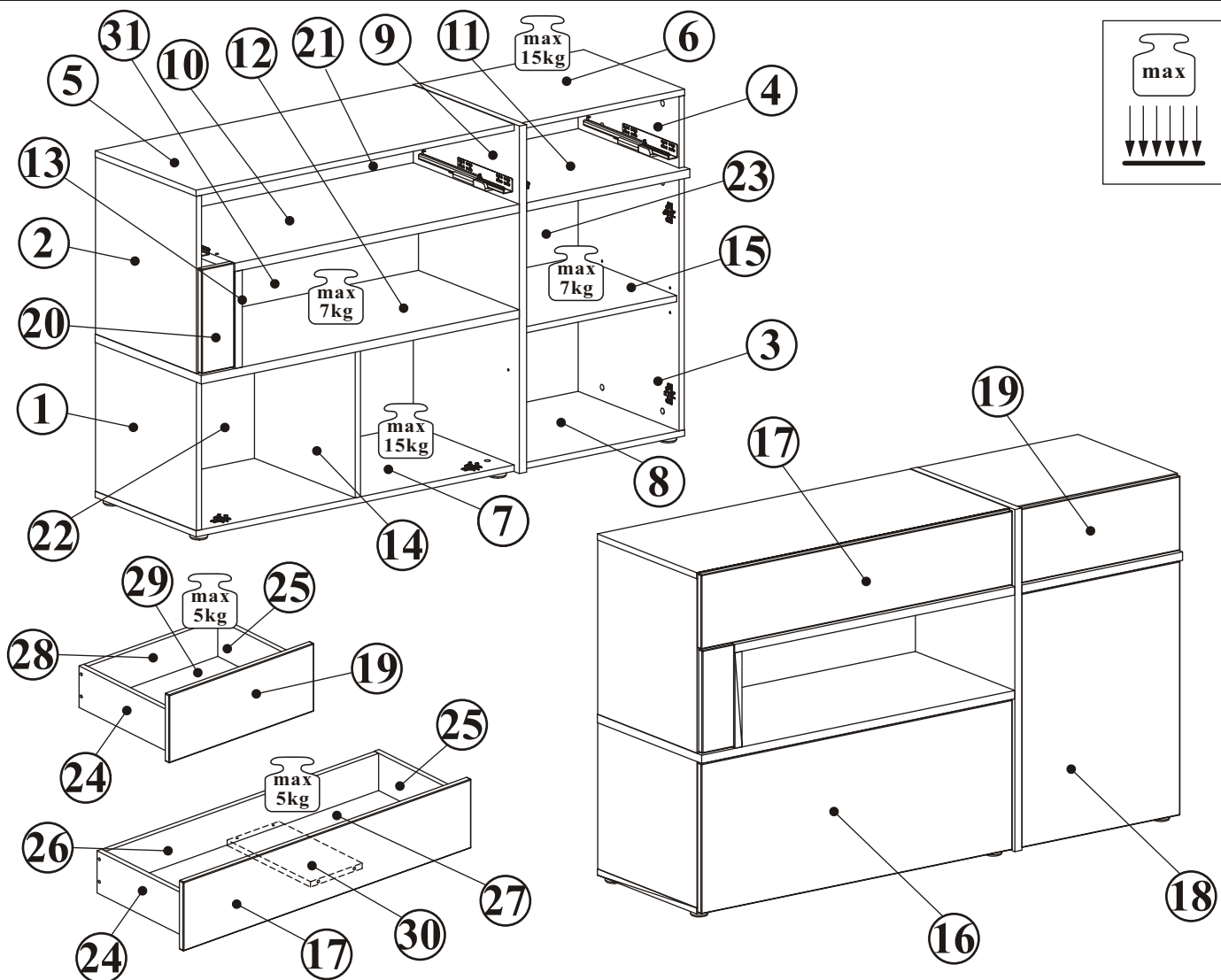


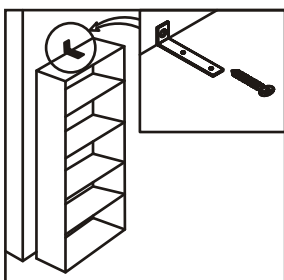
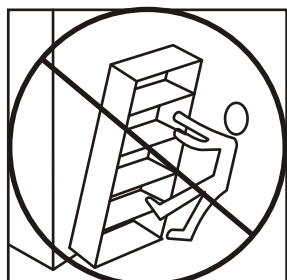
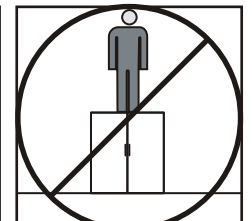
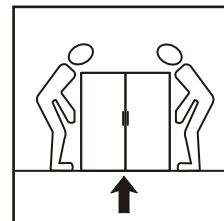
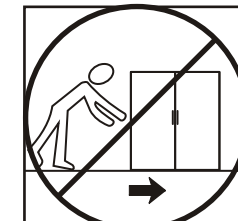
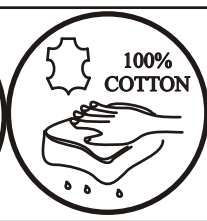
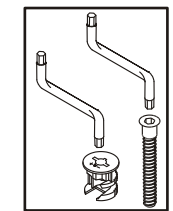
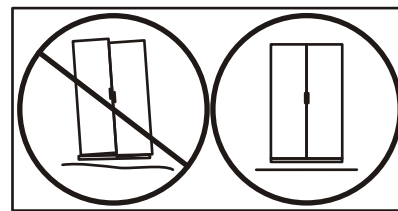
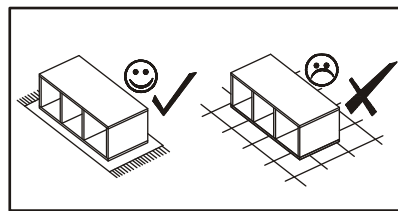
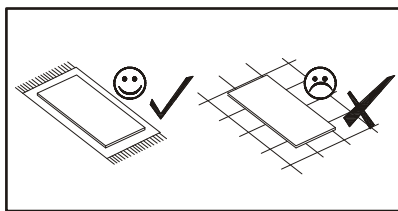
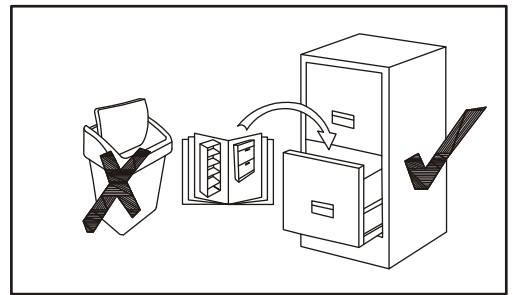
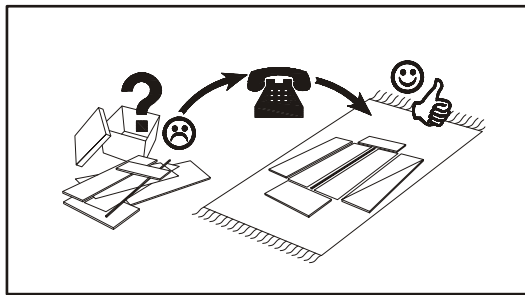
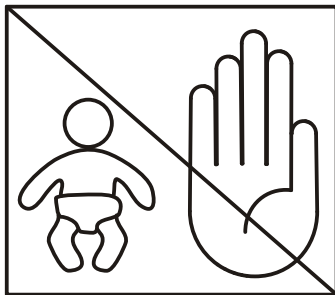
CROSS 28PEWCS SB



NO	Dim.			Qty	Qty	NO	Dim.			Qty	Qty
1	386	427	16	1	1	9	902	449	22	2	1
2	460	427	16	1	1	10	875	449	22	2	1
3	660	427	16	1	1	11	502	449	22	2	1
4	186	427	16	1	1	12	978	449	22	2	1
5	978	427	16	1	1	13	252	449	22	2	1
6	502	427	16	1	1	31	851	251	22	2	1
7	978	427	16	1	1	16	972	396	16	3	1
8	502	427	16	1	1	17	972	196	16	3	1
14	386	427	16	1	1	18	670	496	16	3	1
15	485	417	16	1	1	19	496	196	16	3	1
24	350	120	16	3	2	20	271	100	16	3	1
25	350	120	16	3	2	21	484	985	3	3	1
26	921	106	16	3	1	22	985	410	3	3	1
28	445	106	16	3	1	23	894	510	3	3	1
30	349	184	16	3	1	27	354	933	3	3	1
						29	354	457	3	3	1

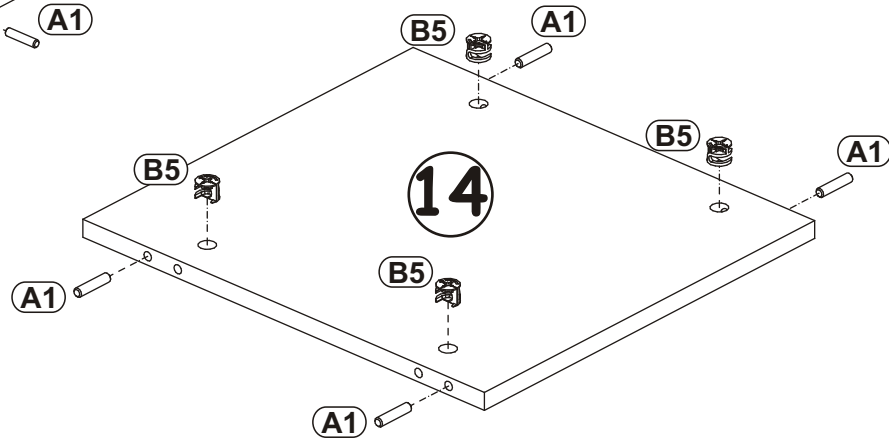
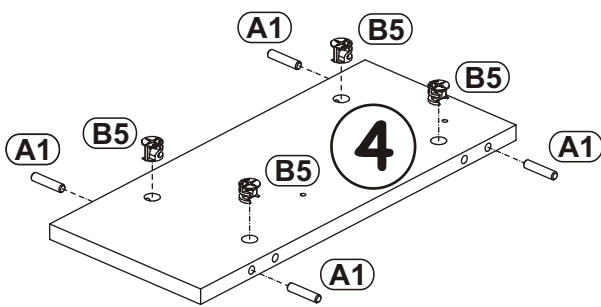
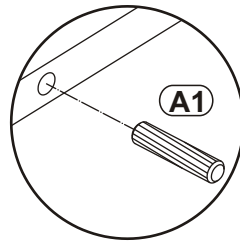
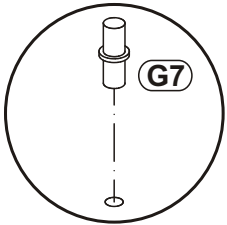
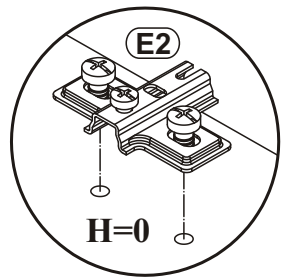
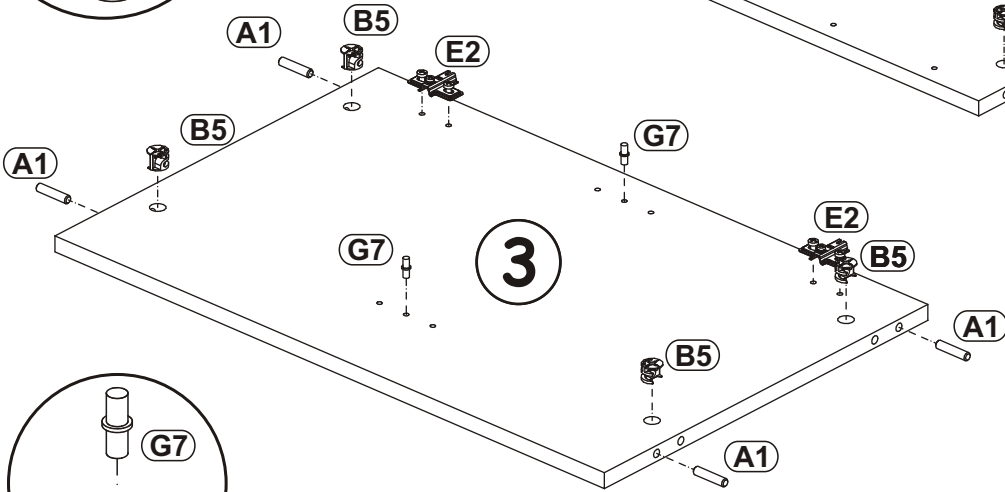
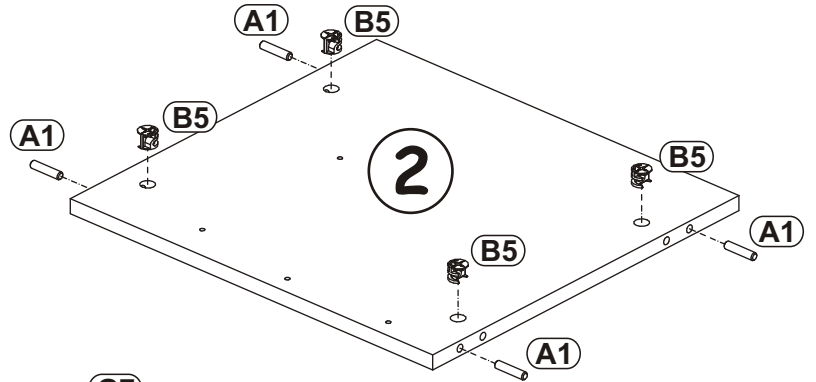
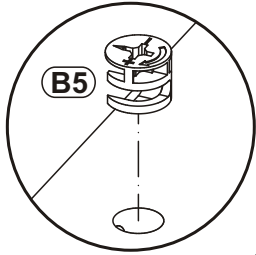
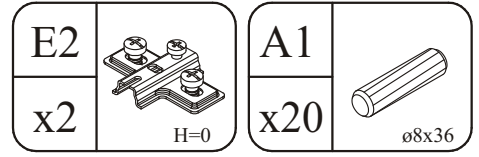
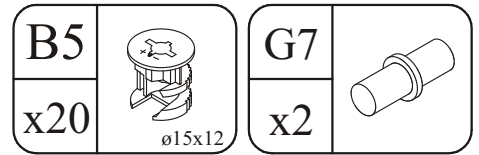
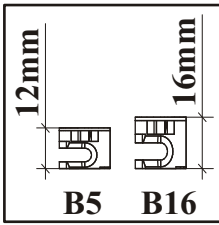
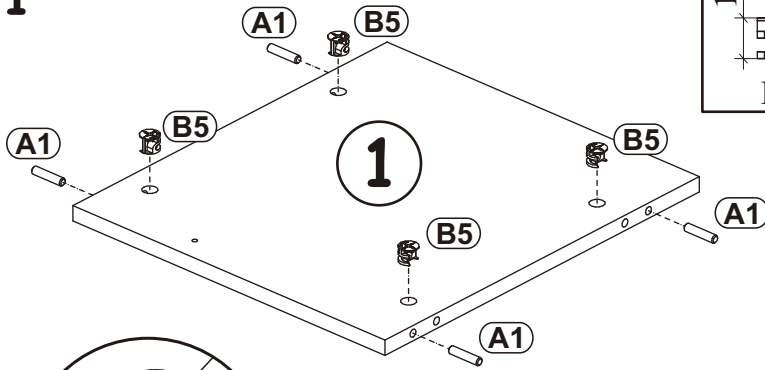
CROSS 28PEWCS SB

A1 x48 ø8x36	B4 x18	B5 x32 ø15x12	G5 x38	B15 x8 Ø7x60	G4 x16
B16 x6 Ø15x16	B6 x10 Ø7x76	G7 x6	E21 x4 Ø35 H=0	E2 x4 H=0	G16 x13
L1 x2	KR1 x2	T3 x2	L6 x2	D31 x4 EKØ6,3x13	UP13 x60 UPØ3x16
D10 x24 USØ3,5x13	UP15 x6 UPØ4x25	I11 x6 Ø45, h=15	G2 x1	B11 x8 Ø7x50	S1 x3
QU x2 L-350	D20 x8 ESØ6,3x9,5	UP6 x2 UPØ4x30	BP1 x2	0 mm 10 20 30 40 50 60	



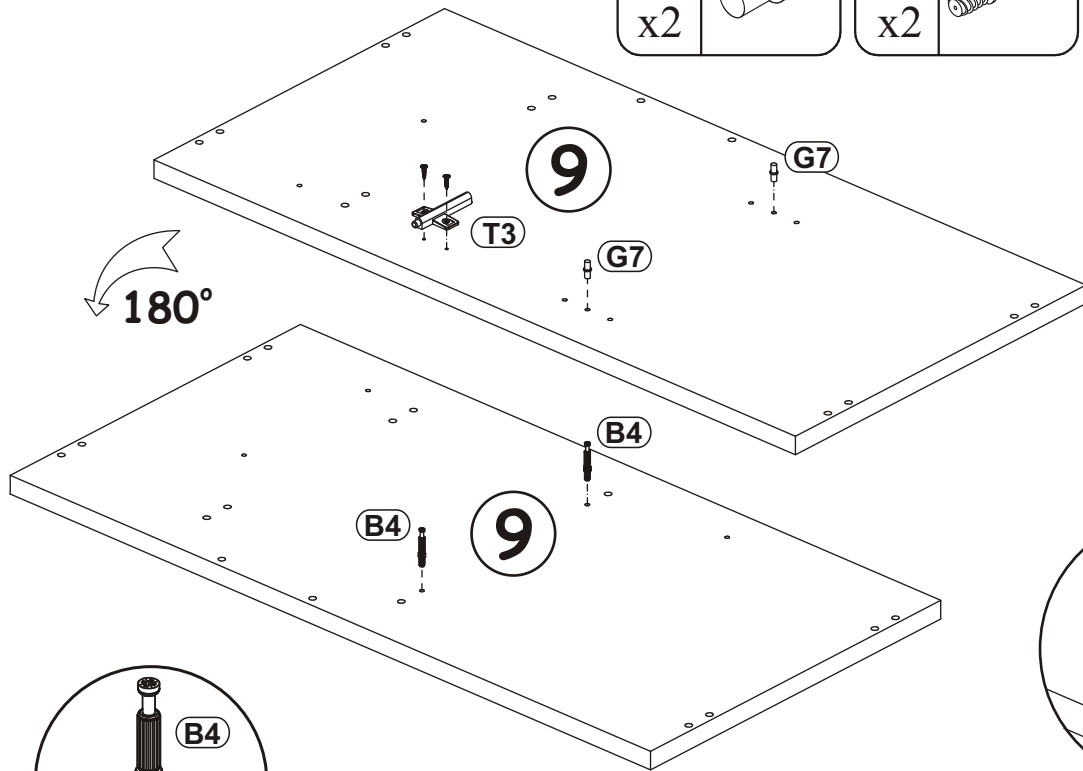
CROSS 28PEWCS SB

1



CROSS 28PEWCS SB

2

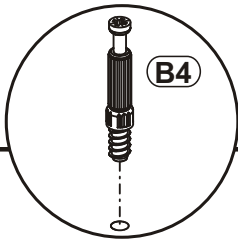
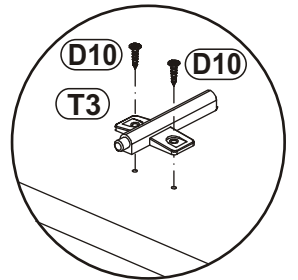
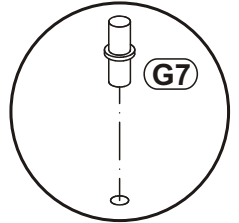


G7	
x2	

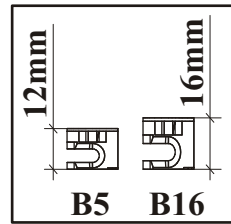
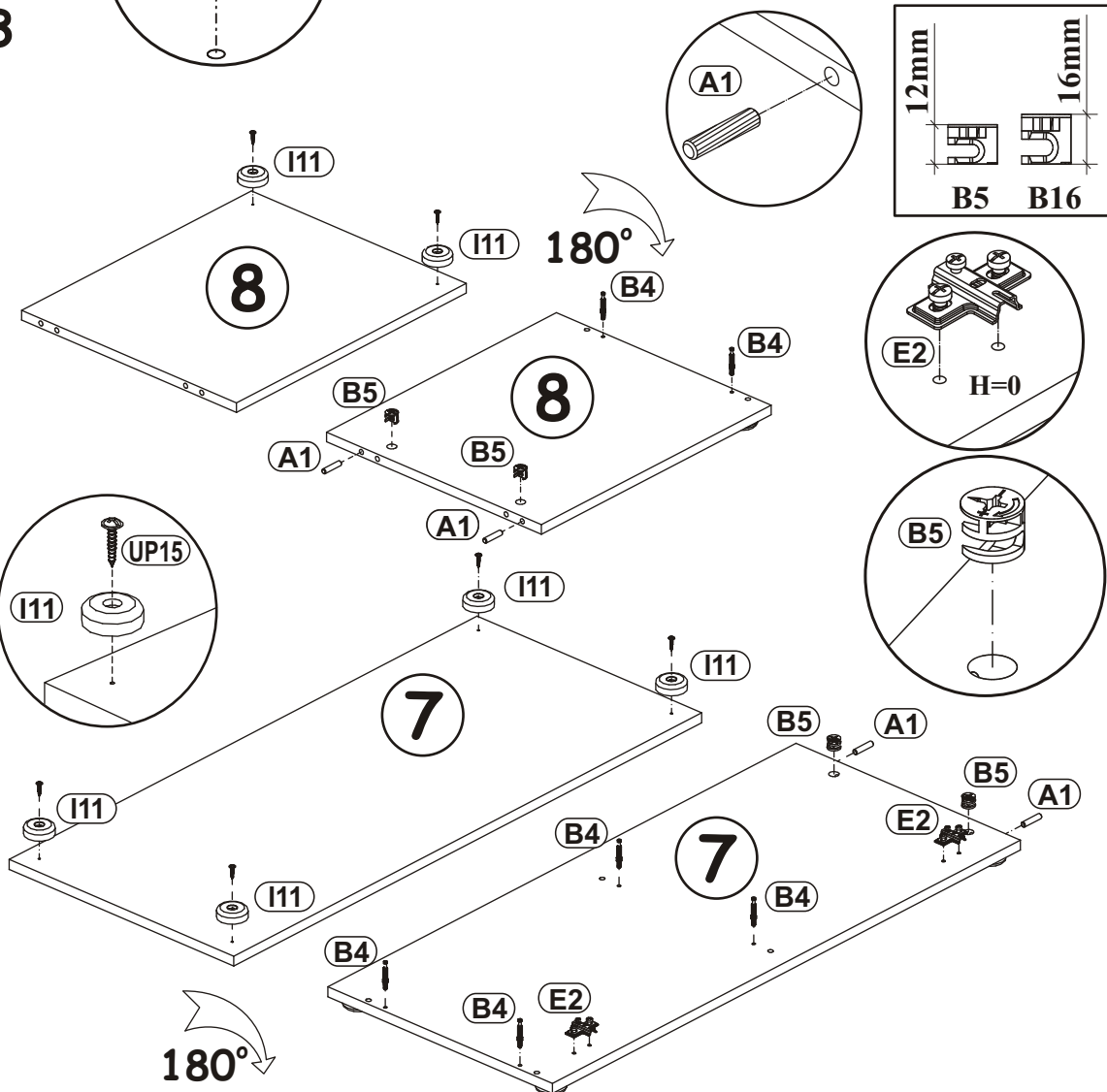
B4	
x2	

T3	
x1	

D10	
x2	USØ3,5x13



3



UP15	
x6	UPØ4x25

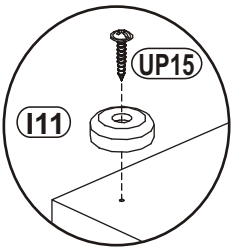
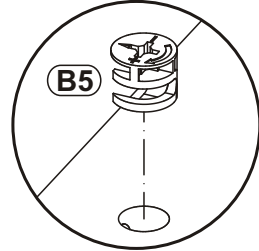
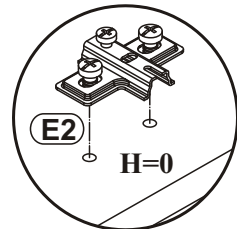
I11	
x6	Ø45, h=15

B5	
x4	Ø15x12

A1	
x4	Ø8x36

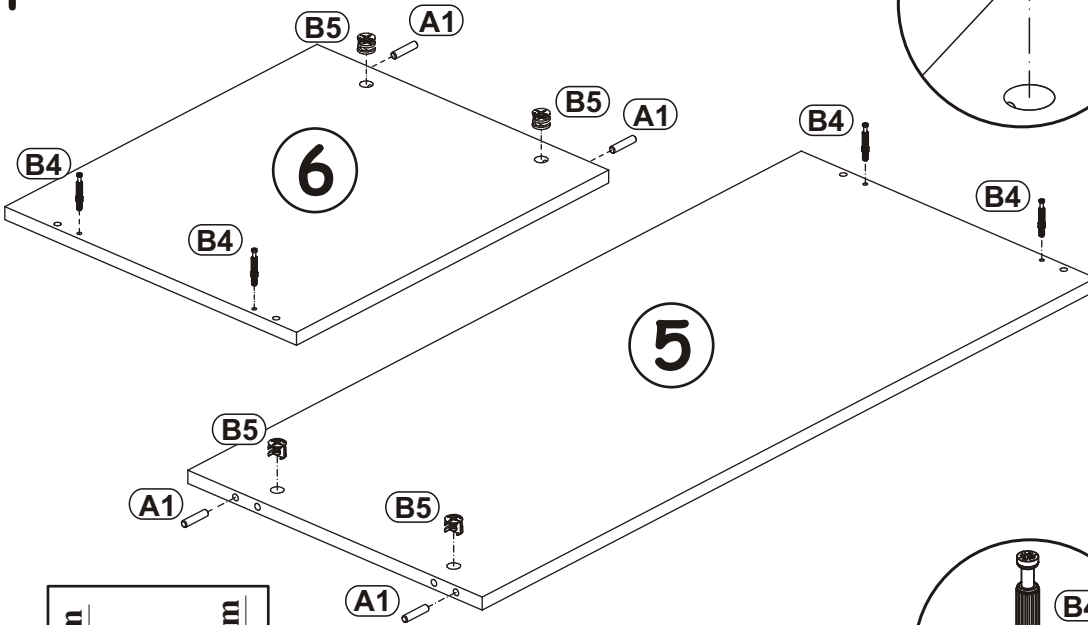
B4	
x6	

E2	
x2	H=0



CROSS 28PEWCS SB

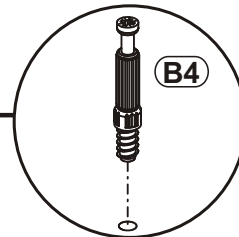
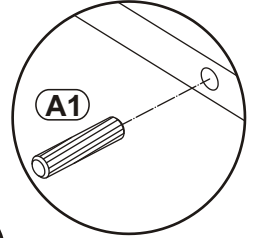
4



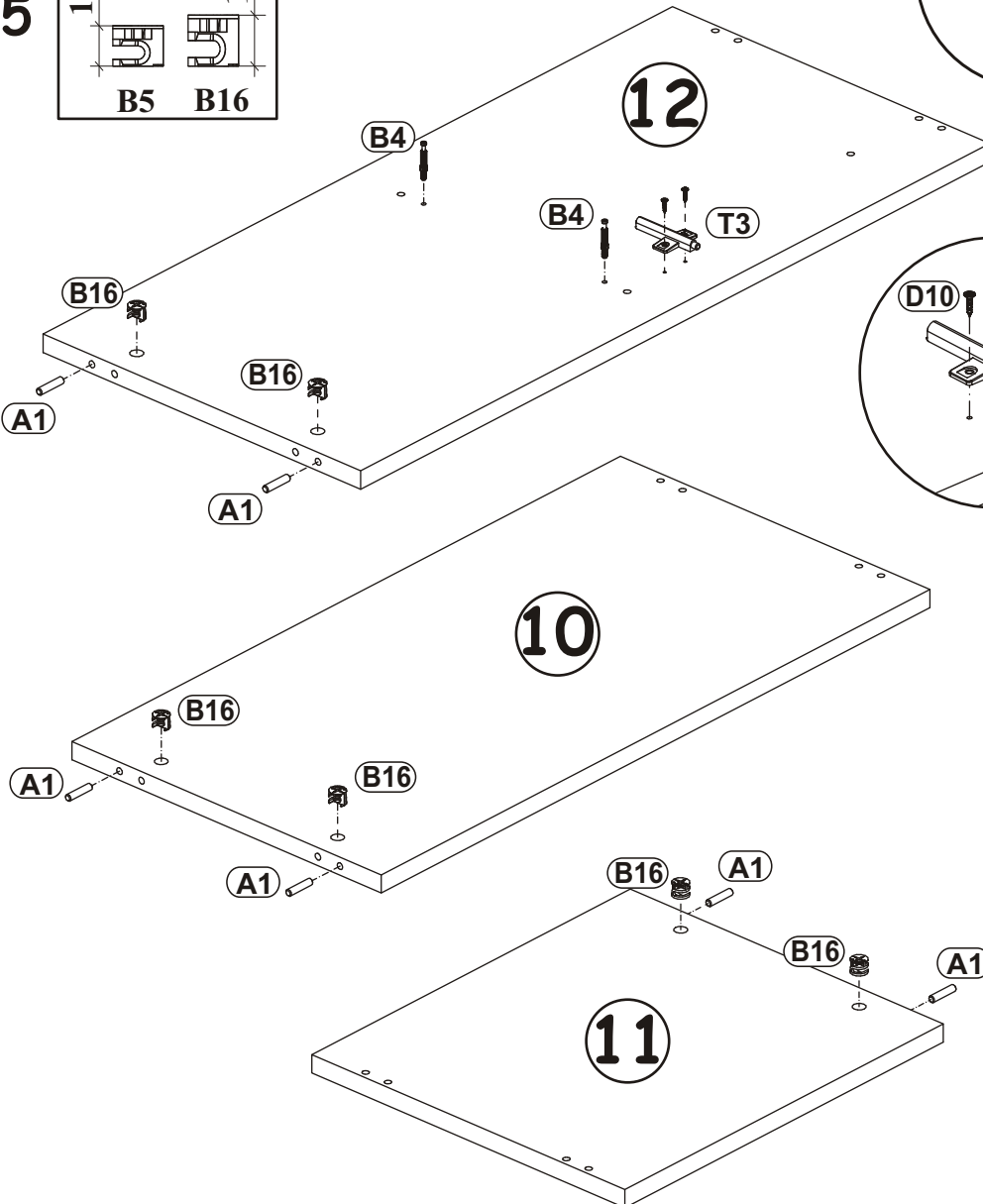
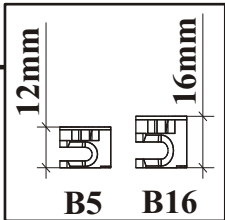
B5	
x4	ø15x12

A1	
x4	ø8x36

B4	
x4	



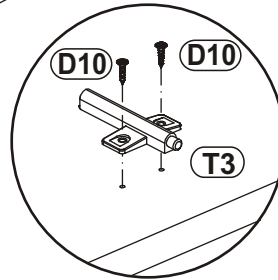
5



T3	
x1	

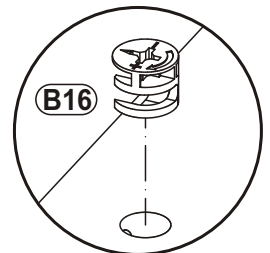
D10	
x2	USØ3,5x13

A1	
x6	ø8x36



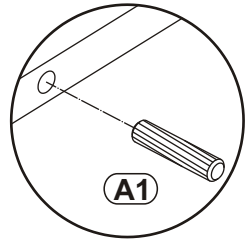
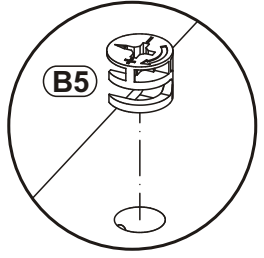
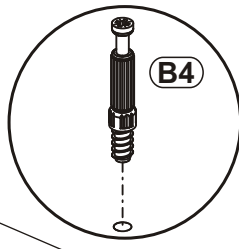
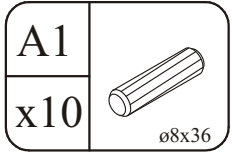
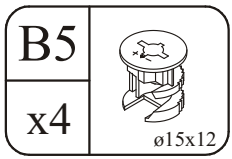
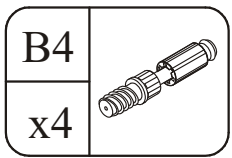
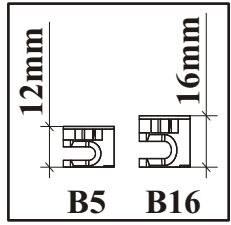
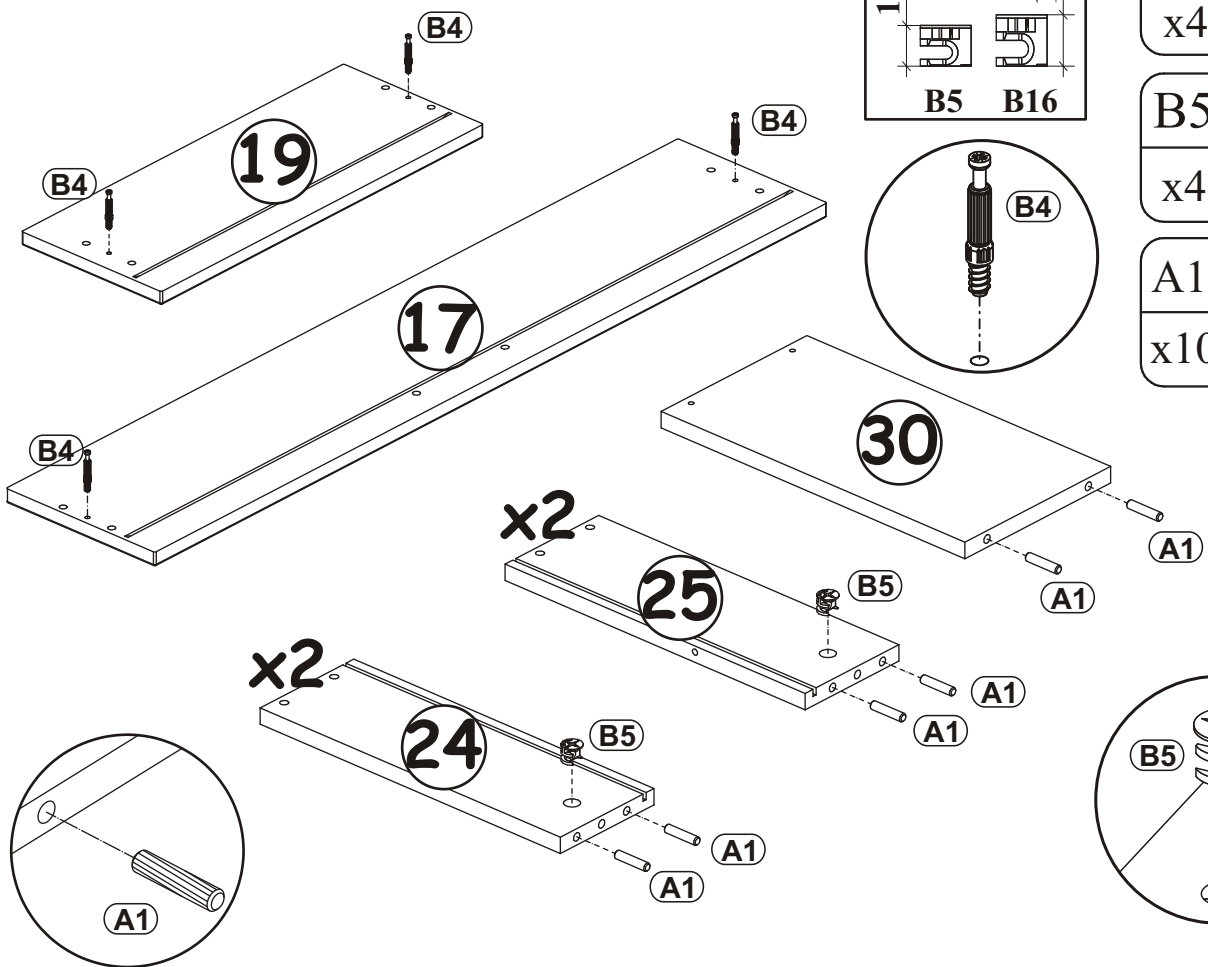
B4	
x2	

B16	
x6	Ø15x16

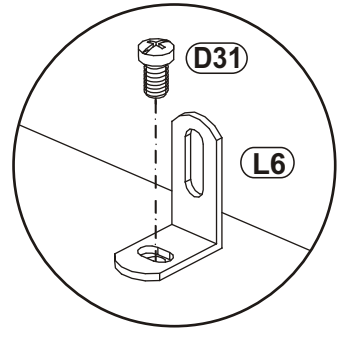
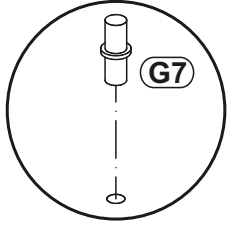
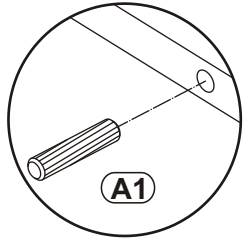
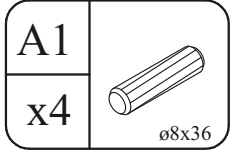
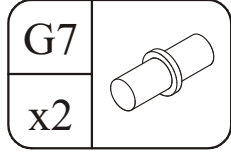
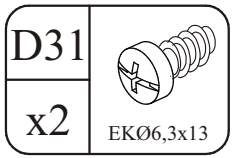
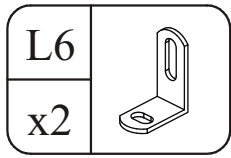
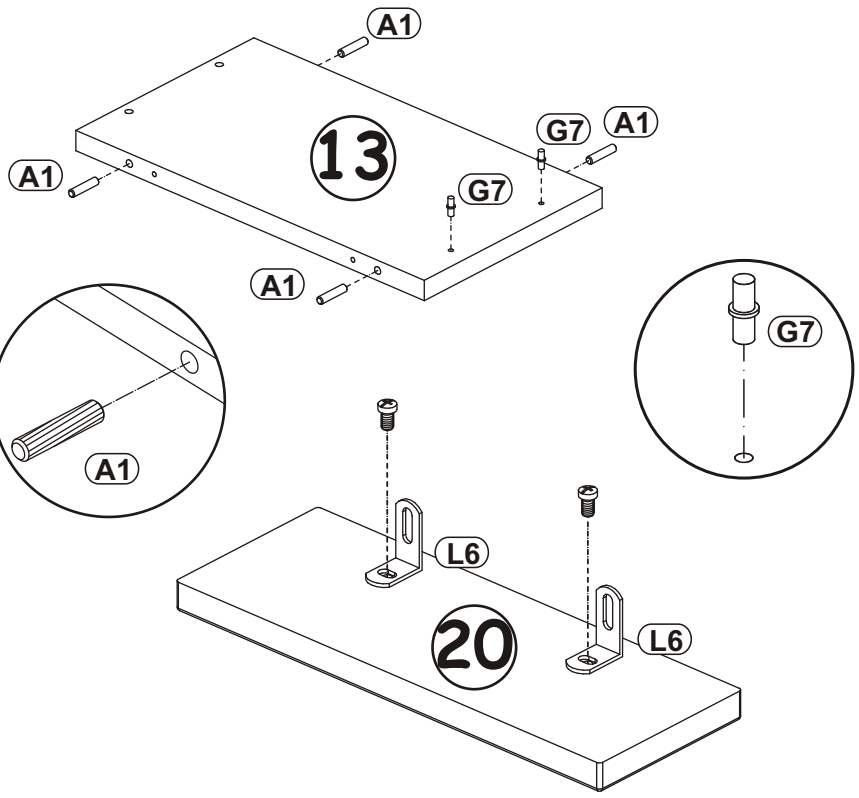


CROSS 28PEWCS SB

6

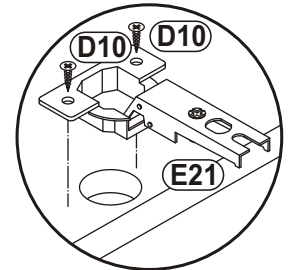
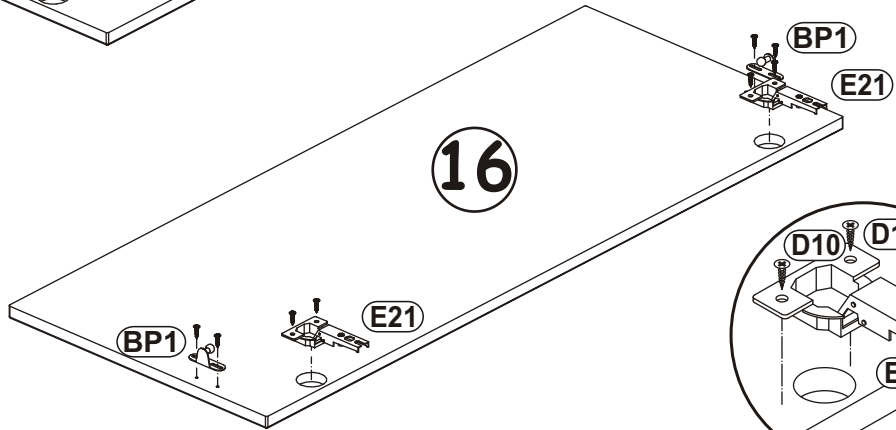
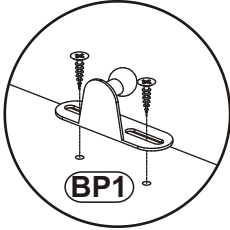
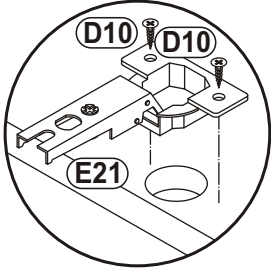
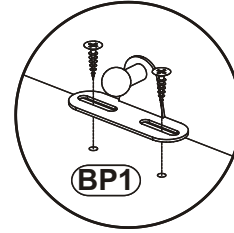
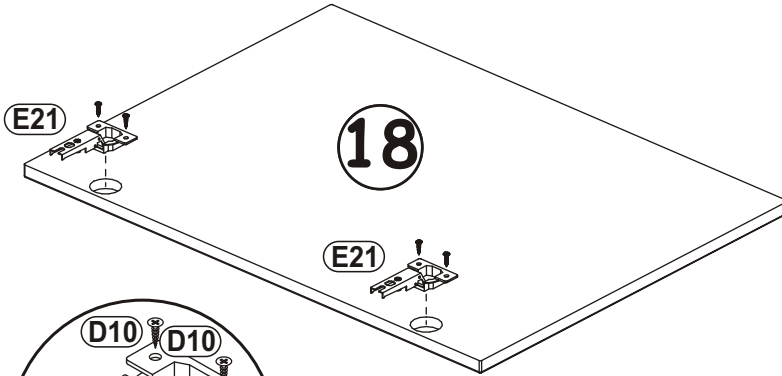
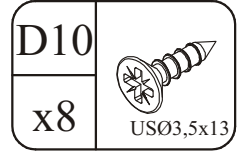
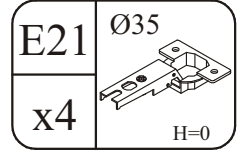
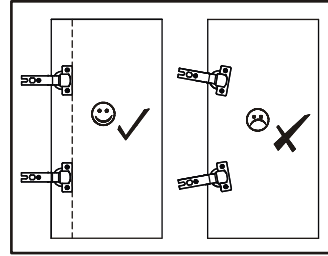
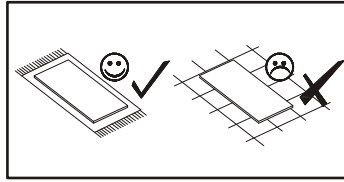


7

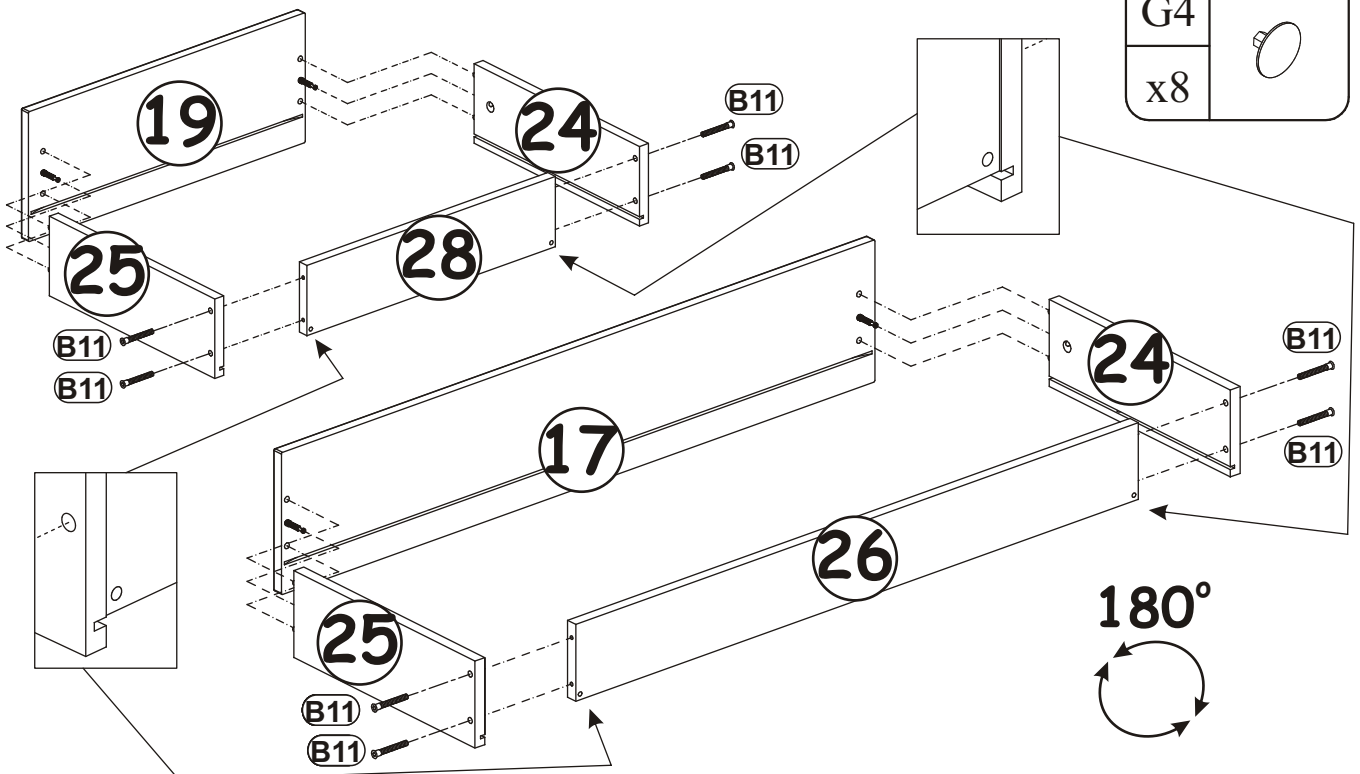
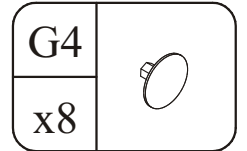
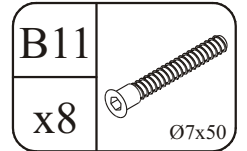
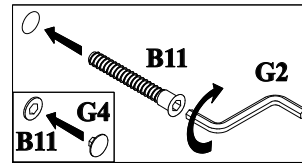
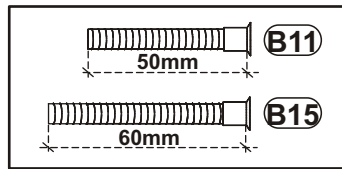


CROSS 28PEWCS SB

7

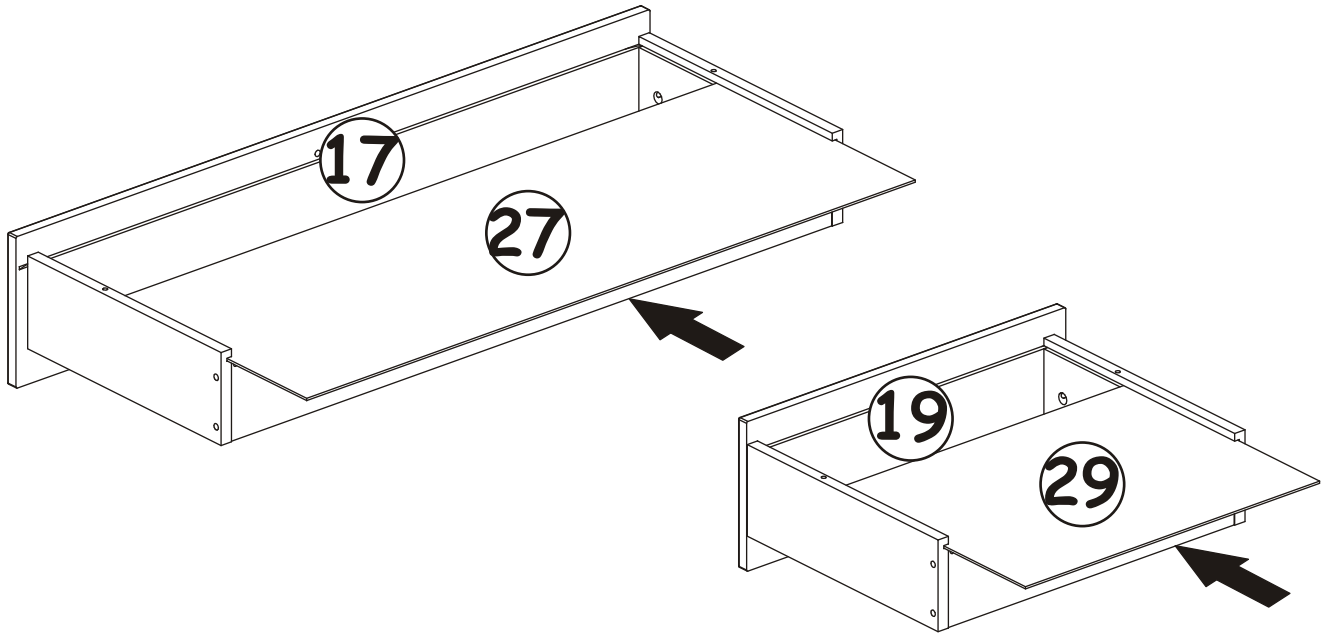


8

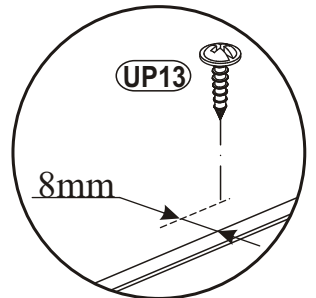
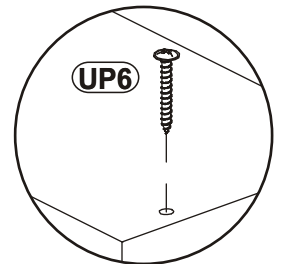
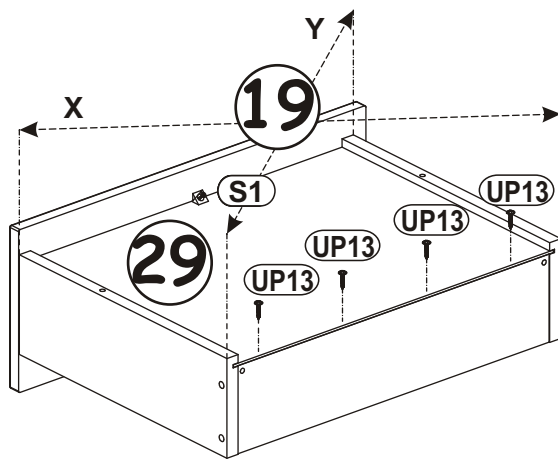
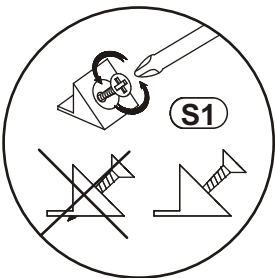
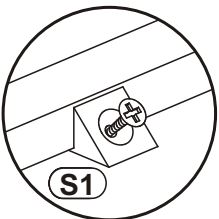
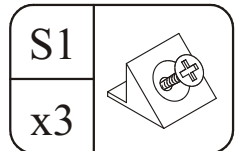
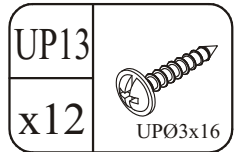
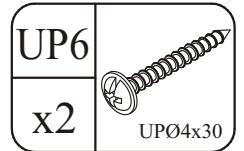
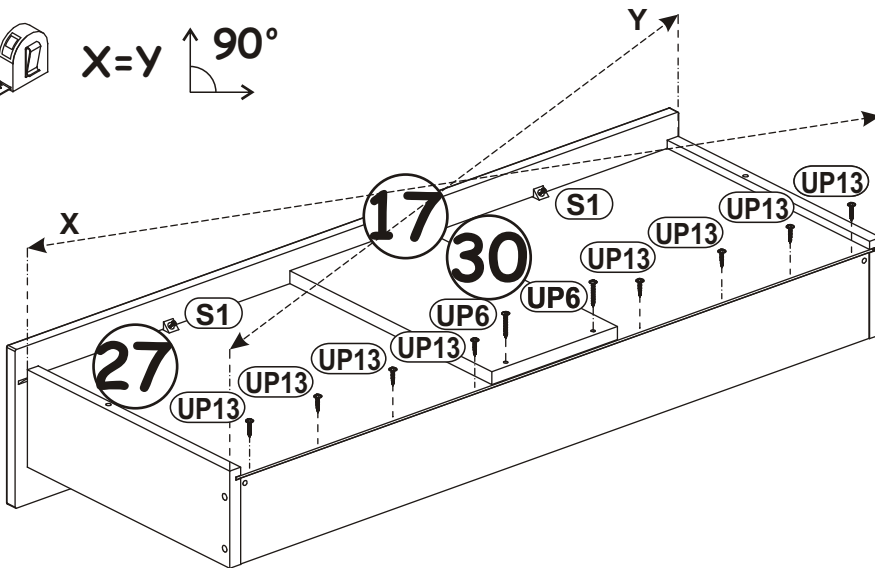


CROSS 28PEWCS SB

9

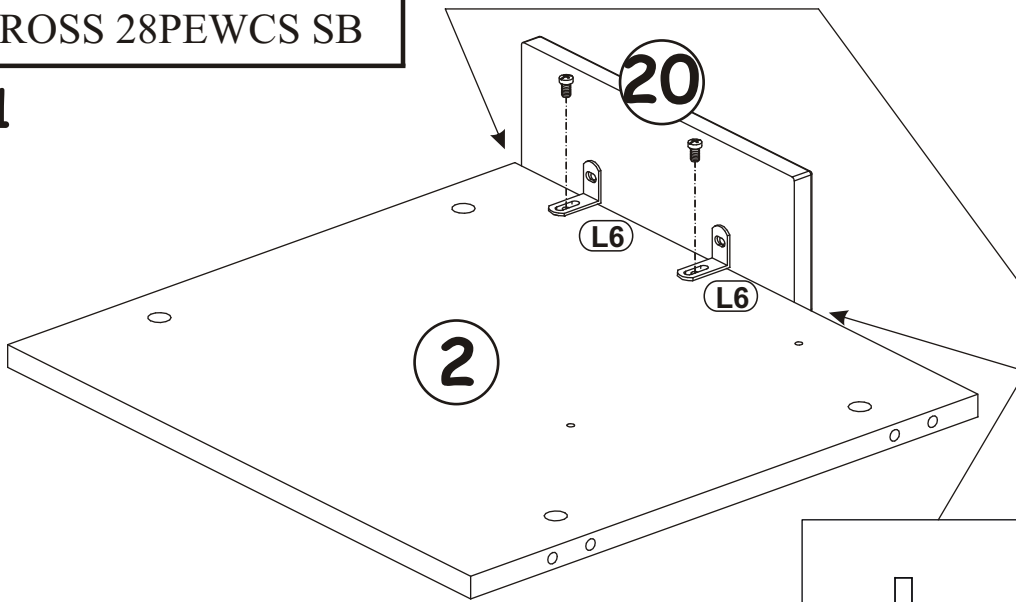


10

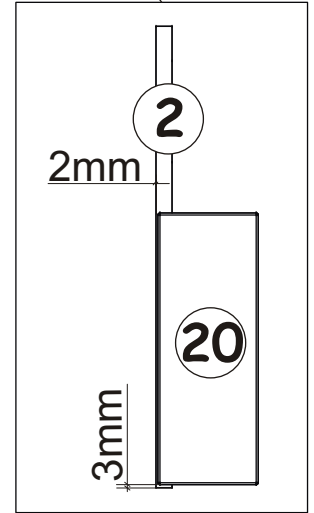
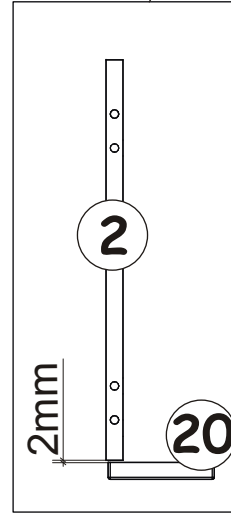
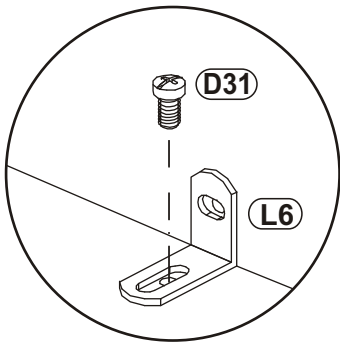


CROSS 28PEWCS SB

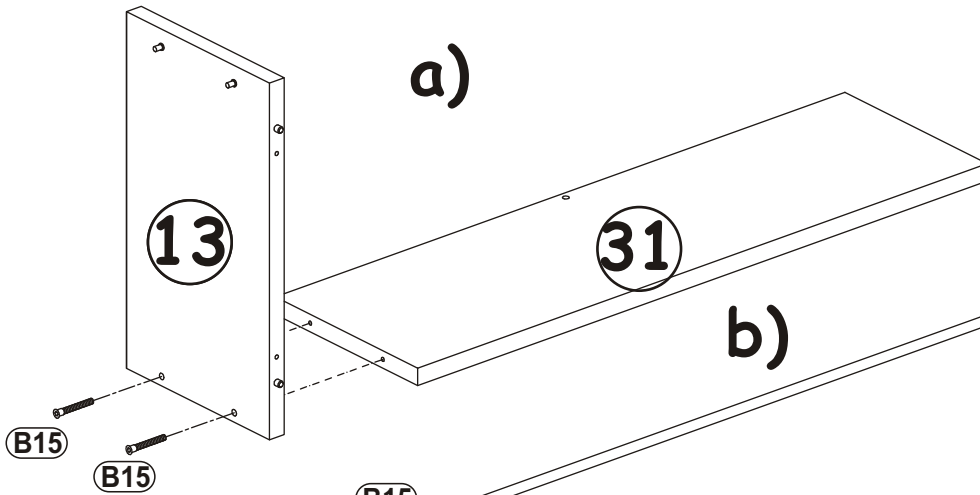
11



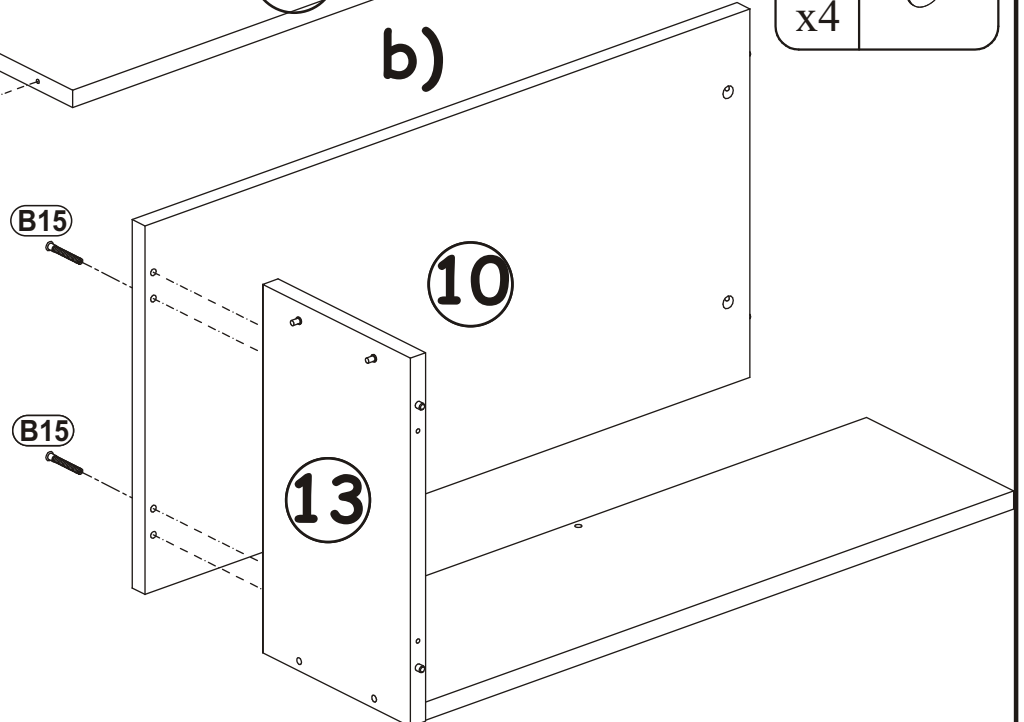
D31	
x2	EKØ6,3x13



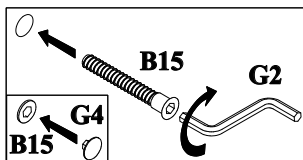
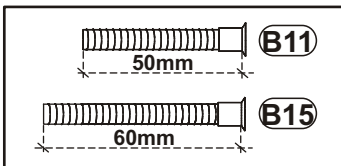
12



B15	
x4	Ø7x60



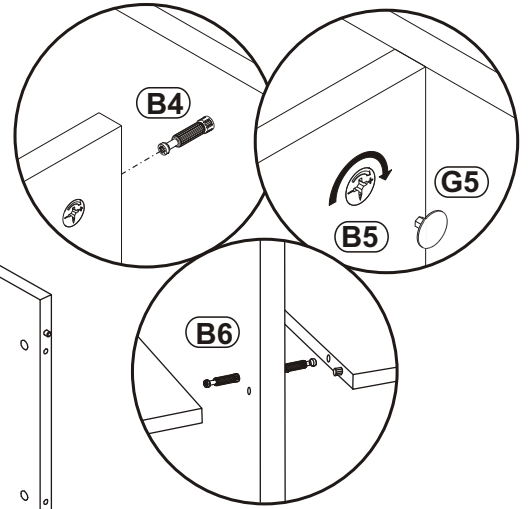
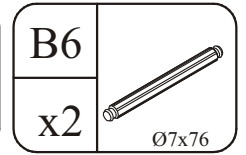
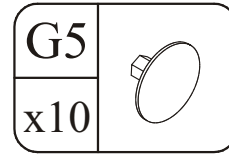
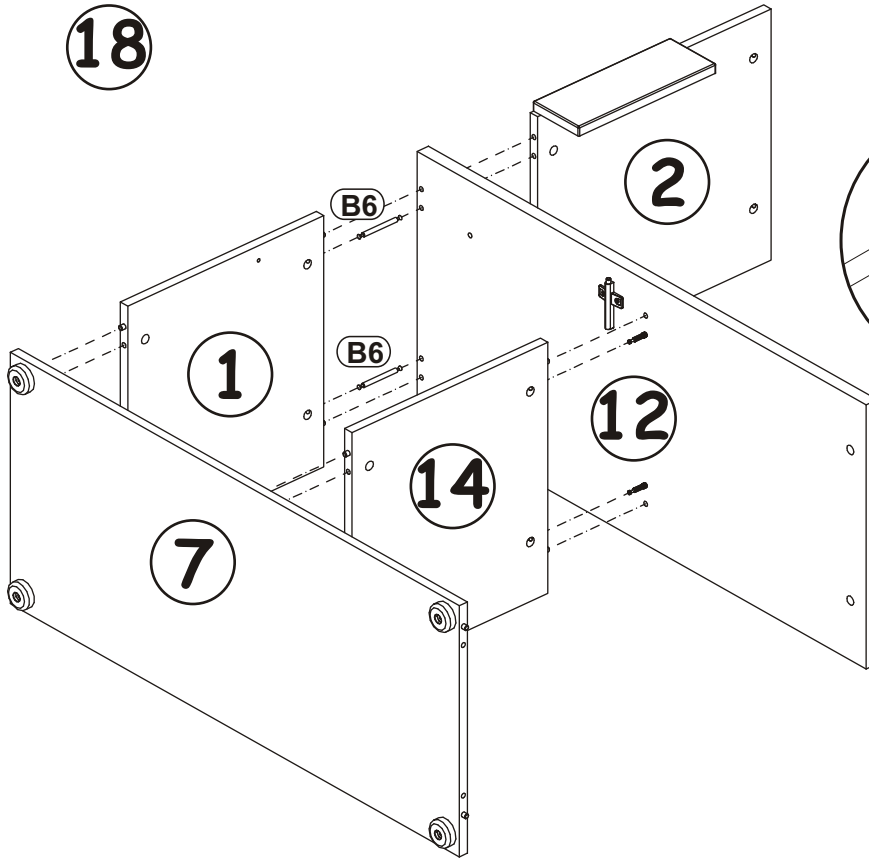
G4	
x4	



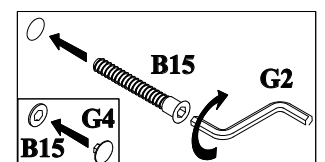
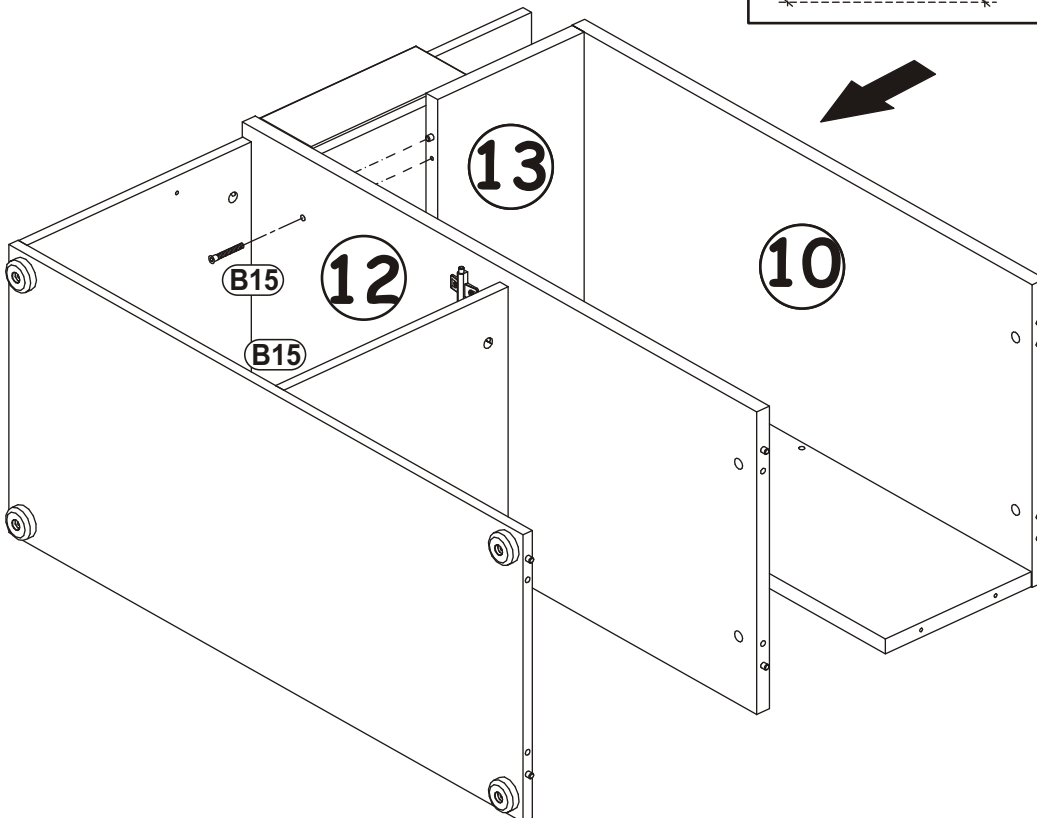
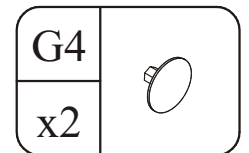
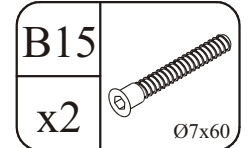
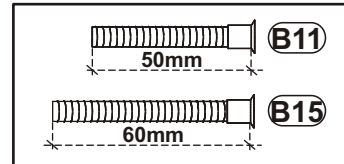
CROSS 28PEWCS SB

13

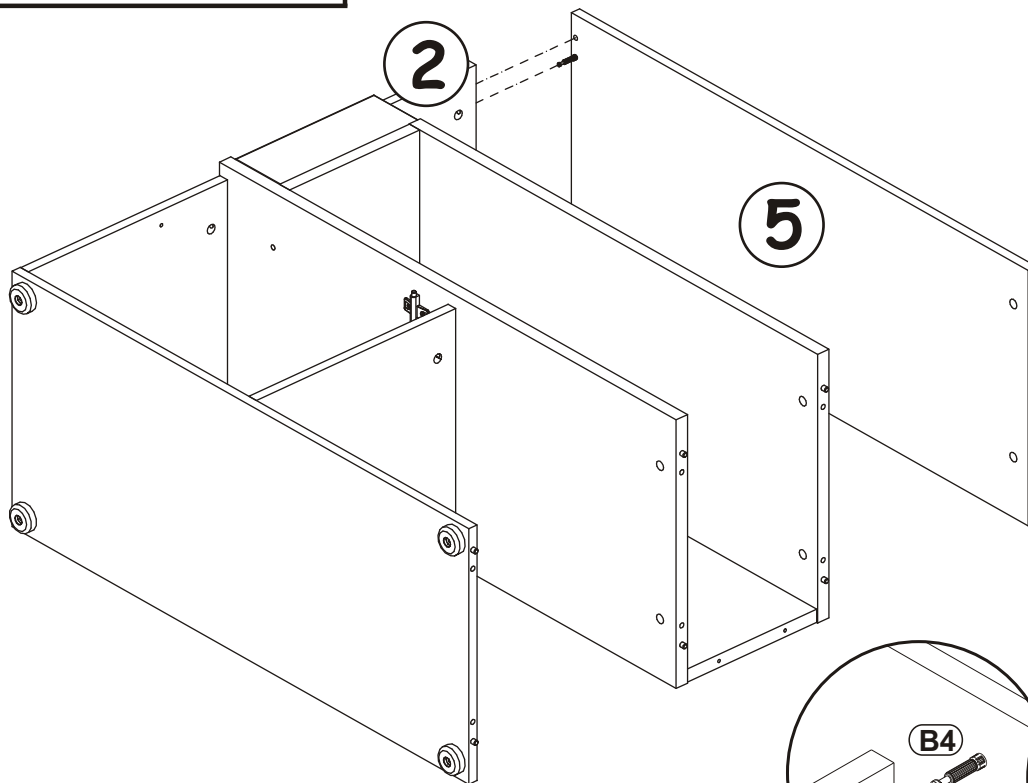
18




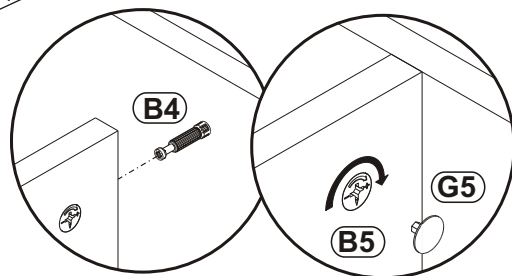
14



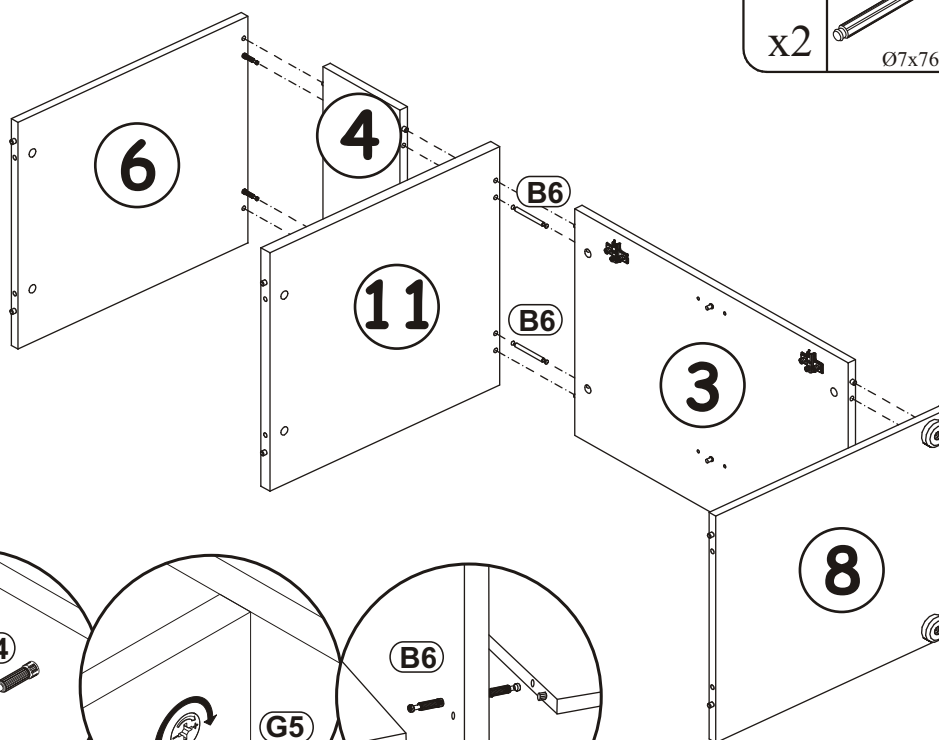
15

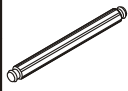



G5	
x4	

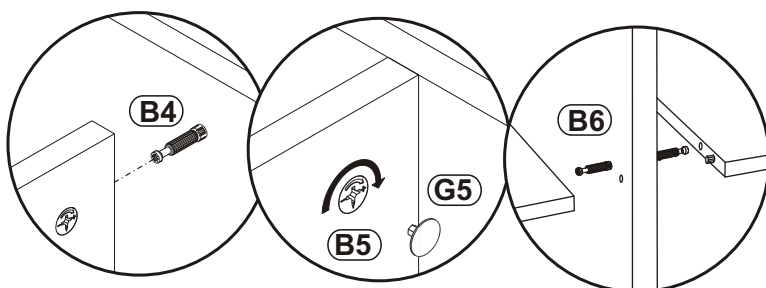


16




B6	
x2	Ø7x76


G5	
x8	





CROSS 28PEWCS SB

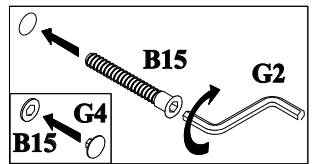
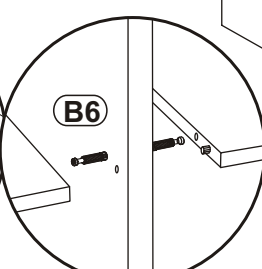
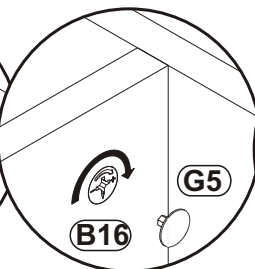
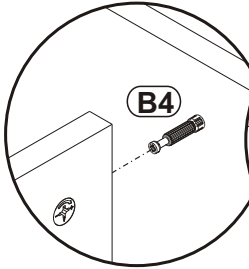
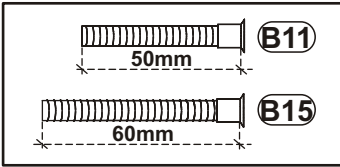
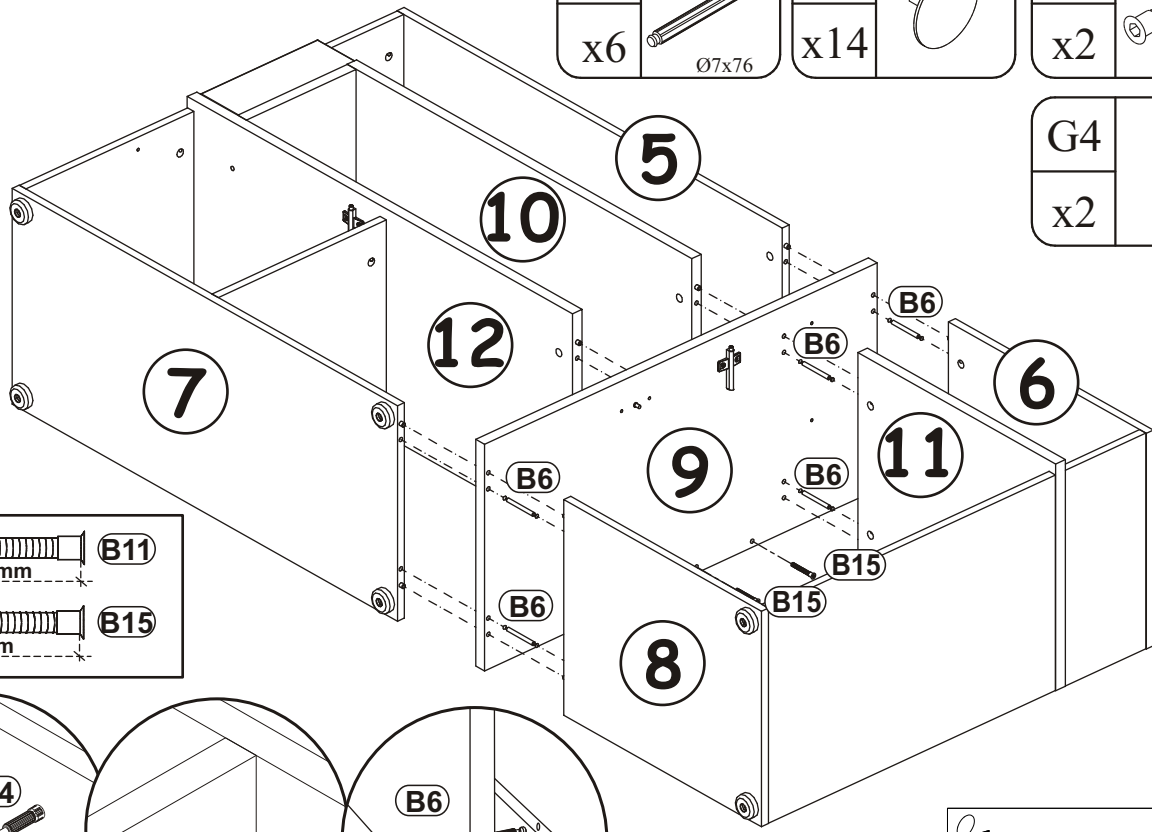
17

B6	
x6	Ø7x76


G5	
x14	

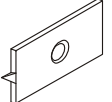
B15	
x2	Ø7x60

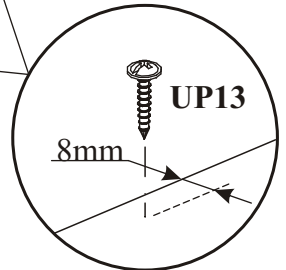
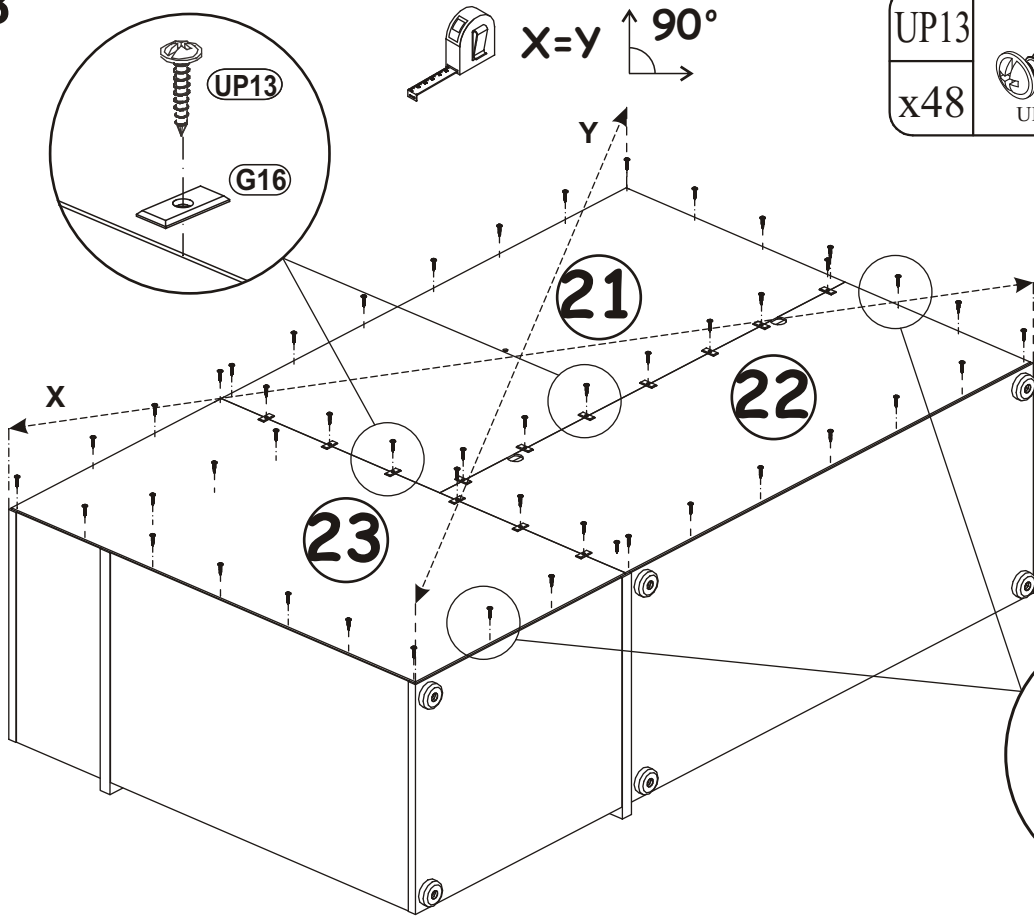
G4	
x2	



18

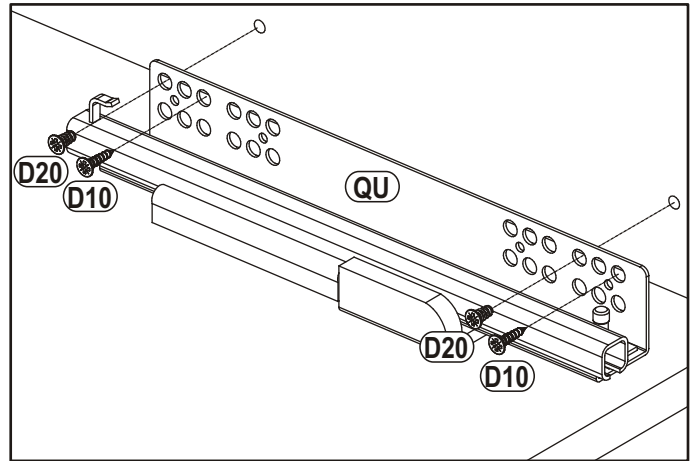
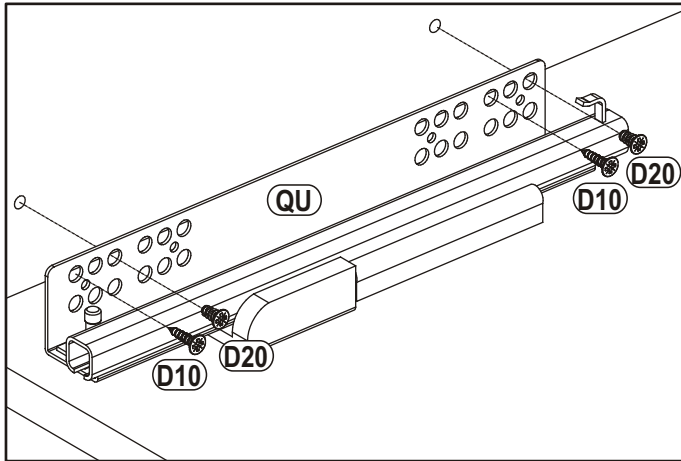
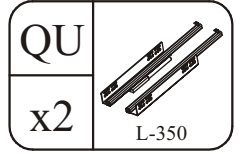
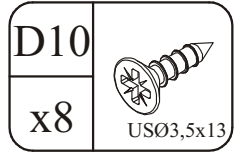
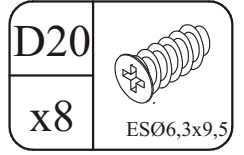
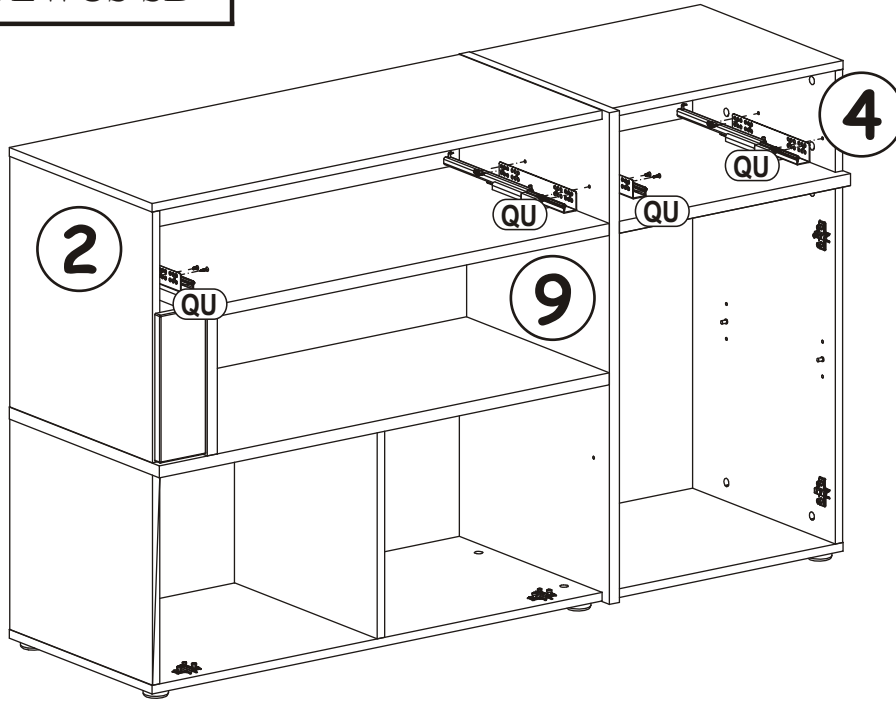
UP13	
x48	UPØ3x16

G16	
x13	

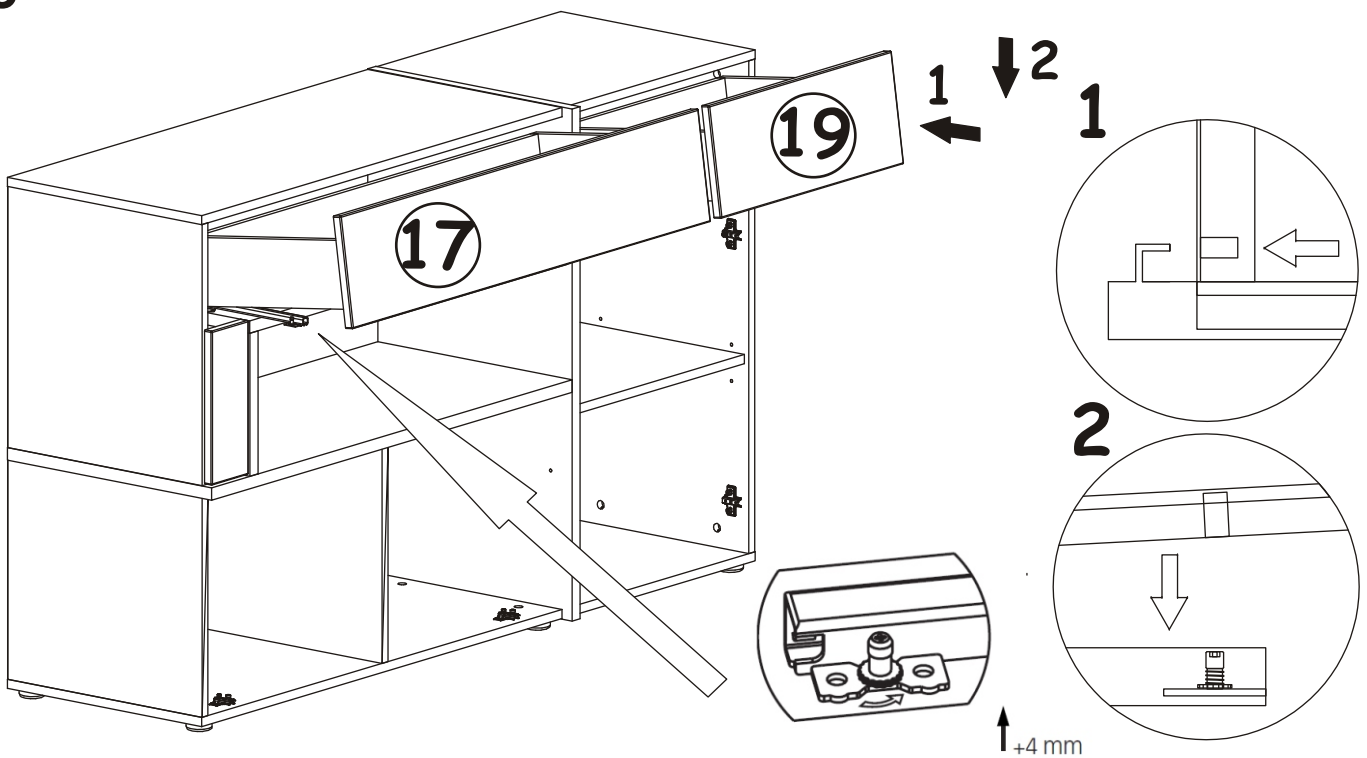


CROSS 28PEWCS SB

19

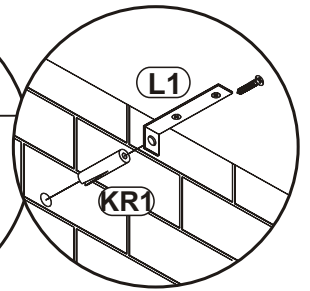
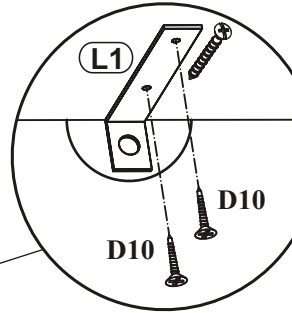
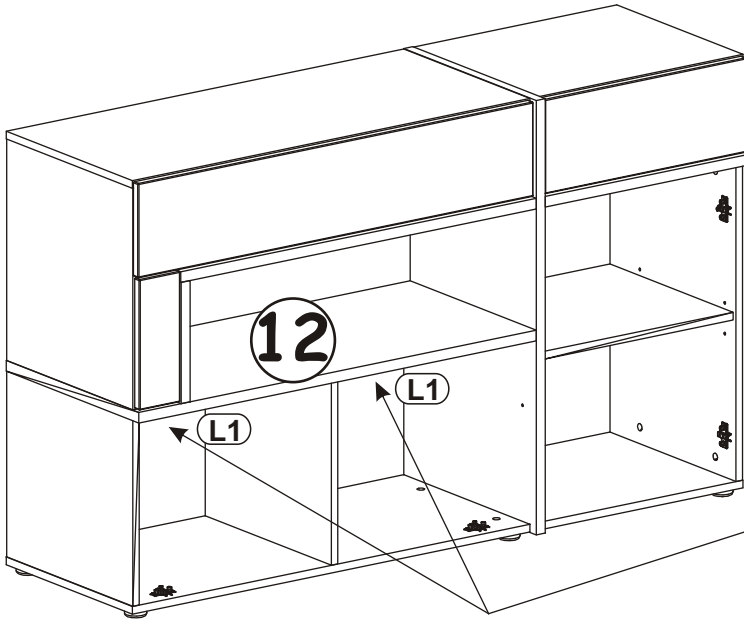
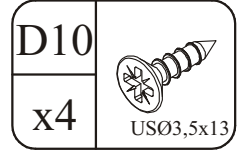
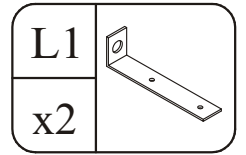
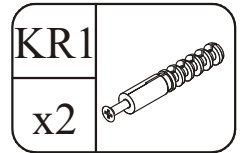
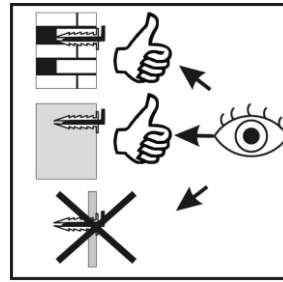
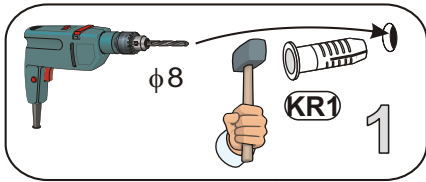


20

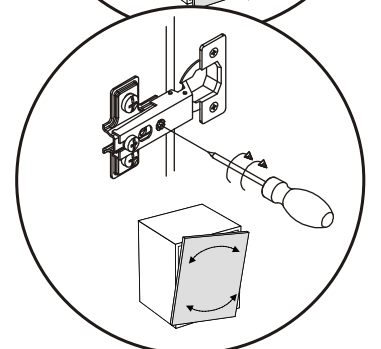
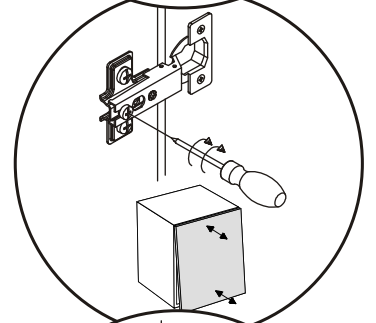
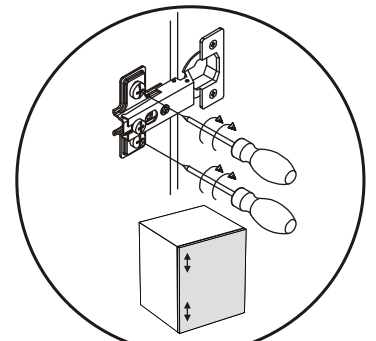
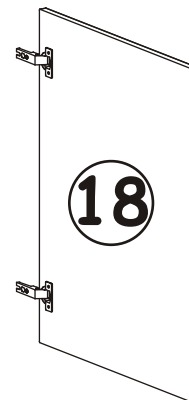
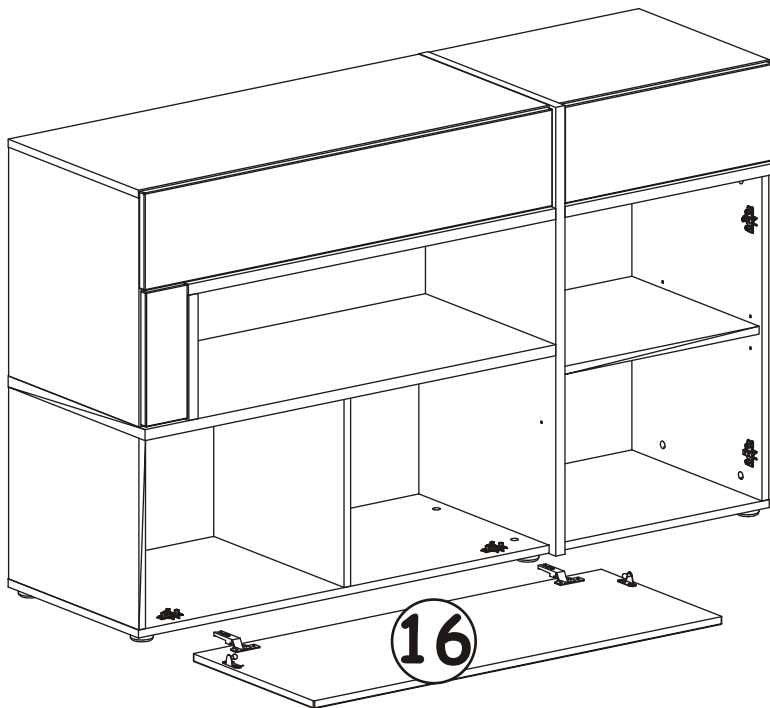


CROSS 28PEWCS SB

21



22



23

